

PLEASE CHECK WWW.MOLEX.COM FOR LATEST PART INFORMATION

Part Number: [0395430202](#)
Status: **Active**
Overview: Eurostyle™ Terminal Blocks
Description: 5.00mm Pitch Eurostyle™ 45° Wire Entry Fixed Mount PCB Terminal Block, with Screw Pressure Clamp, 2 Circuits

Documents:

[3D Model](#) [RoHS Certificate of Compliance \(PDF\)](#)
[Drawing \(PDF\)](#)

Agency Certification

UL E48521

General

Product Family Terminal Blocks
 Series [39543](#)
 Application N/A
 Component Type One Piece
 Overview [Eurostyle™ Terminal Blocks](#)
 Product Name ESE, Eurostyle™ Fixed Mount
 Type Euro Block
 UPC 822350536639

Physical

Circuits (Loaded) 2
 Entry Angle 45° Angle
 Lock to Mating Part None
 Number of Rows 1
 Orientation 45° Angle
 PC Tail Length 3.00mm
 PCB Thickness - Recommended 2.00mm
 Panel Mount No
 Pitch - Mating Interface 5.00mm
 Pitch - Termination Interface 5.00mm
 Polarized to Mating Part N/A
 Stackable No
 Temperature Range - Operating -40°C to +105°C
 Wire Size AWG 14, 16, 18, 20, 22, 24
 Wire Size mm² 0.20-2.08

Electrical

Current - Maximum per Contact 10.0A
 Voltage - Maximum 300V

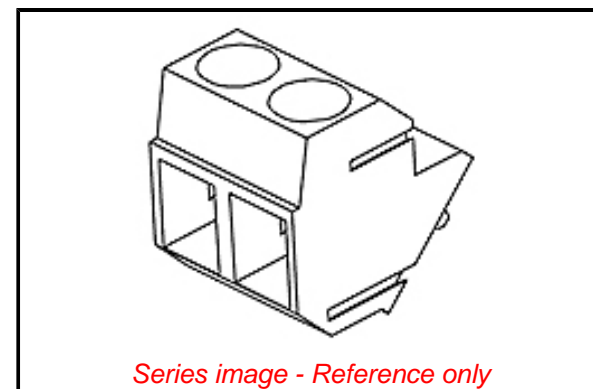
Solder Process Data

Duration at Max. Process Temperature (seconds) 005
 Lead-free Process Capability WAVE
 Max. Cycles at Max. Process Temperature 135
 Process Temperature max. C 260

Material Info

Reference - Drawing Numbers

Sales Drawing SD-39543-001



EU ELV

Not Relevant

EU RoHS

Not Reviewed

REACH SVHC

Not Reviewed

Halogen-Free

Status

Not Reviewed

Need more information on product environmental compliance?

Email productcompliance@molex.com
 Please visit the [Contact Us](#) section for any non-product compliance questions.

China ROHS	Not Reviewed
ELV	Not Relevant
RoHS Phthalates	Not Reviewed

Search Parts in this Series

[39543 Series](#)

PLEASE CHECK WWW.MOLEX.COM FOR LATEST PART INFORMATION