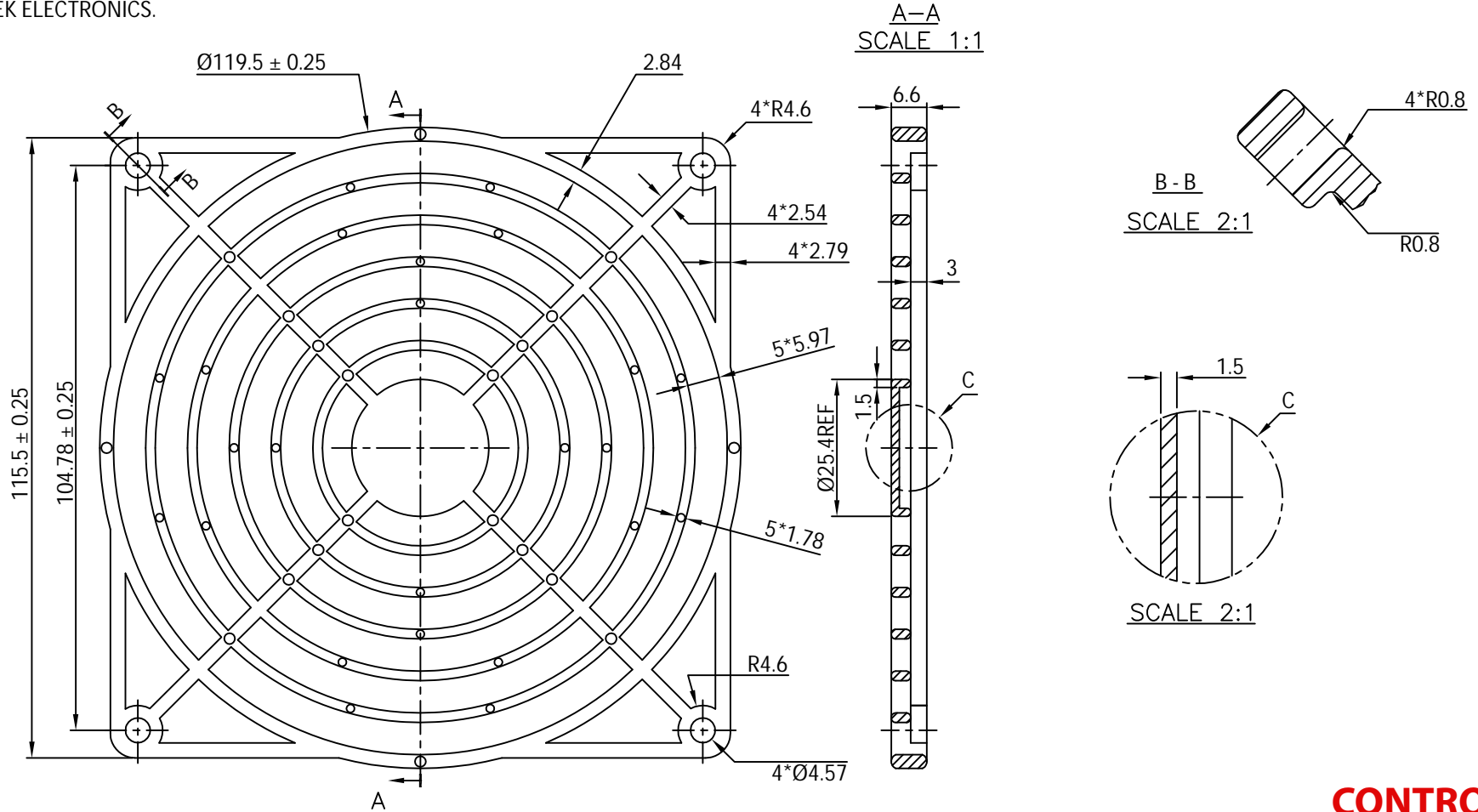


THESE DRAWINGS ARE THE PROPERTY OF QUALTEK ELECTRONICS AND NOT TO BE REPRODUCED FOR OR COMMUNICATED TO A THIRD PARTY WITHOUT THE EXPRESS WRITTEN PERMISSION OF AN OFFICER OF QUALTEK ELECTRONICS.

REVISION			
REV.	DESCRIPTION	DATE	APPROVED
B	RoHS Compliancy	06-01-06	DP
C	Updated Specifications	01-23-08	DP
D	Updated Graphics and Added Dimensions	12-15-15	LY
E	Updated Material Information	03-18-21	LY



NOTES:

MATERIAL: PC 540PG(e) UL94V-0
RoHS COMPLIANT

CONTROLLED

Dim range (mm)		Tolerance +/- (mm)	Qualtek Electronics Corp. FAN-S DIVISION		
0-5		0.3	Part Number: 09120-G		RoHS Compliant
5-16		0.4	Description: PLASTIC FAN GUARD		
16-64		0.4	UNIT: mm		REV: E
64-250		0.4	Drawn / Date		Checked / Date
250-1000		0.5	B. ZHANG 10-17-03		Approved / Date
1000-1500		1.0			JJH / 10-17-03

Mouser Electronics

Authorized Distributor

Click to View Pricing, Inventory, Delivery & Lifecycle Information:

[Qualtek:](#)

[09120-G](#)