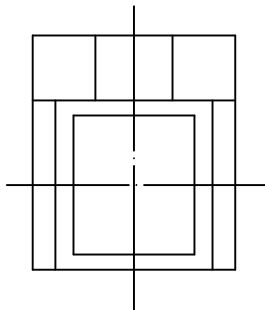
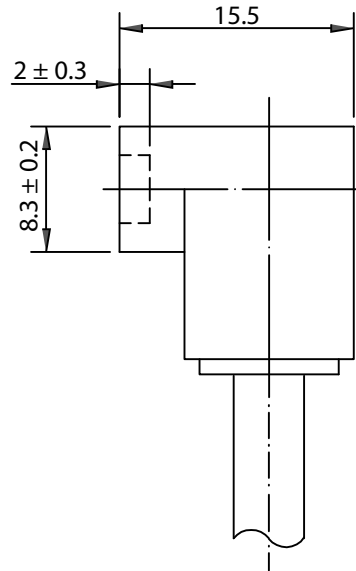
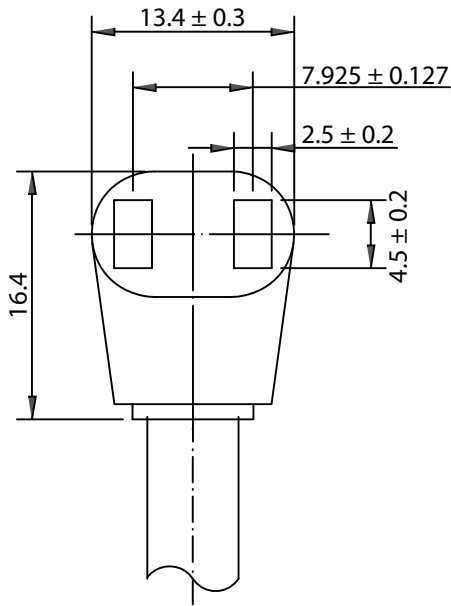


THESE DRAWINGS ARE THE PROPERTY OF QUALTEK ELECTRONICS AND NOT TO BE REPRODUCED FOR OR COMMUNICATED TO A THIRD PARTY WITHOUT THE EXPRESS WRITTEN PERMISSION OF AN OFFICER OF QUALTEK ELECTRONICS.

| REVISION | | | |
|----------|------------------------|----------|----------|
| REV. | DESCRIPTION | DATE | APPROVED |
| B | RoHS Compliancy | 06-01-06 | DP |
| C | Updated Specifications | 09-18-08 | LY |



NOTES:

1. RATING: 10A 125VAC
2. CORDAGE: SPT-1, 18/2, 105°C, 300V
3. CORD LENGTH: 609.6mm
4. TERMINATION: BLUNT CUT
5. APPROVALS: UL, cUL
6. RoHS COMPLIANT

CONTROLLED

| Dim range (mm) | Tolerance +/- (mm) | Qualtek Electronics Corp. FAN-S DIVISION | | |
|----------------|--------------------|---|--|-----------------|
| | | Part Number: 07190-24 | RoHS Compliant | |
| 0-1 | 0.15 | Description: MOLDED FAN CORD FEMALE 90° | | |
| 1-6 | 0.20 | | UNIT: mm | REV: C |
| 6-18 | 0.30 | | | |
| 18-50 | 0.50 | | | |
| 50-120 | 0.70 | Drawn / Date | Checked / Date | Approved / Date |
| 120-250 | 0.90 | B.ZHANG 10-18-02 | 10-18-02 | JJH / 10-18-02 |
| 250-500 | 1.20 | | | |

Mouser Electronics

Authorized Distributor

Click to View Pricing, Inventory, Delivery & Lifecycle Information:

[Qualtek:](#)

[07190-24](#)