

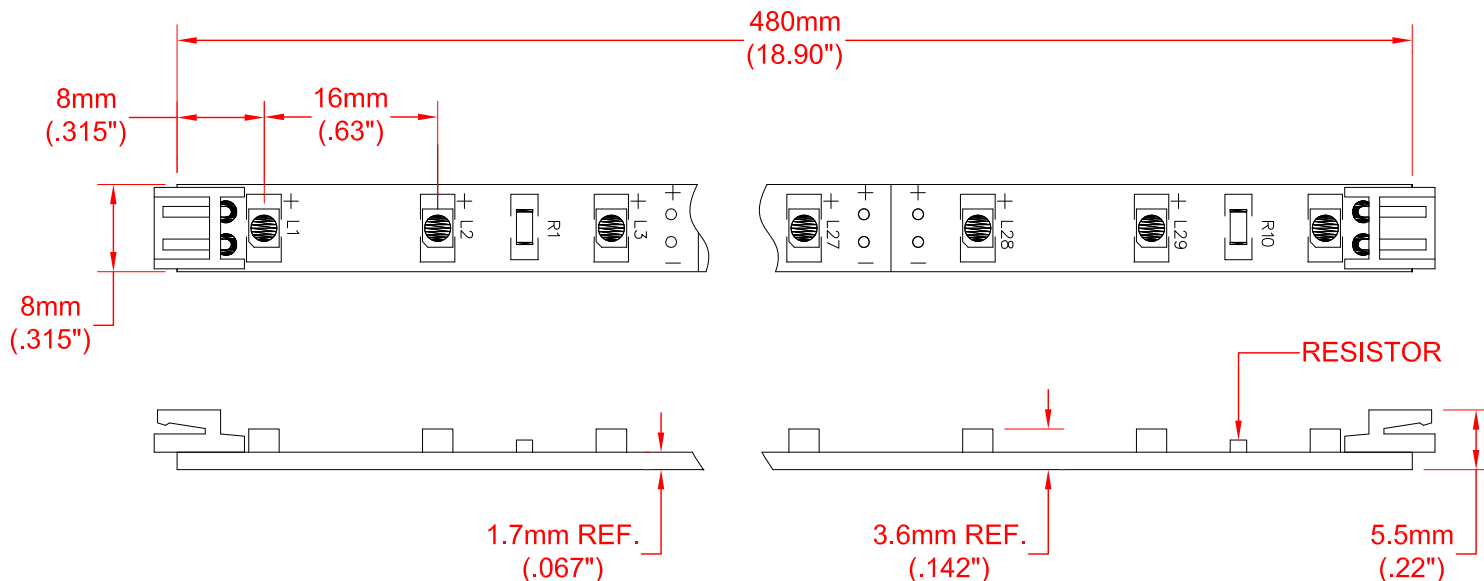
# FEATURES

# 8mm X 480mm LED LIGHT BAR

VOLTAGE: 12V DC.

CURRENT: 200mA.

VIEWING ANGLE (2 θ 1/2): 120°.



### Maximum Rating at TA = 25°C

Parameter	Symbol	Absolute Maximum Rating	Unit
Forward Current	IF	200	mA
Power Dissipation	PD	2.4	W
Electrostatic Discharge	ESD	800	V
Operating Temperature	Topr	-25~+60	°C
Storage Temperature	Tstg	-40~+80	°C

### Electrical/Optical Characteristics at TA = 25°C

Parameter	Symbol	Condition	Min	Typ	Max	Unit
Forward Voltage DC	VF	IF = 200mA	--	12	--	V
Color Coordinates	x, y	IF = 200mA	.415	.430	.445	x
			.395	.420	.445	y
Luminous Flux	φV	IF = 200mA	--	70	--	lm

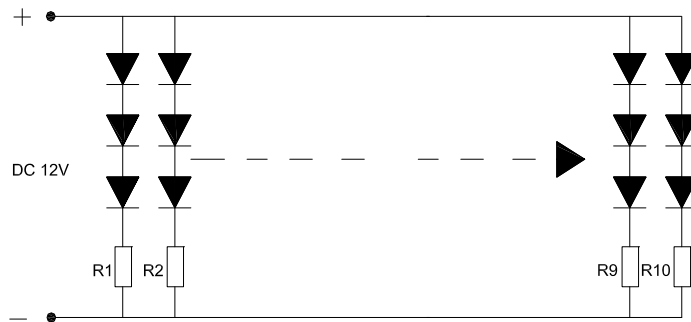
JKL ACCESSORIES  
TO BE ORDERED SEPARATELY

PCB MOUNTING CLIP: ZRC-8  
POWER CONNECTOR: ZCH-200-I  
JOINER CONNECTOR HARNESS: ZCH-101-J

### ATTENTION



OBSERVE PRECAUTION  
FOR HANDLING ELECTROSTATIC  
DISCHARGE SENSITIVE DEVICES



JKL PART NO.: ZRS-8480-WW

<b>METRIC</b>  THIRD ANGLE PROJECTION		DIMENSIONS ARE IN MILLIMETERS TOLERANCE UNLESS OTHERWISE SPECIFIED 1 PL +/- 1 2 PL +/- ANGLE +/-		<b>JKL COMPONENTS CORPORATION</b>					
<b>B</b> ADD CONNECTOR HEIGHT DIMENSION 6/21/11		<b>A</b> CHANGE FEATURES 4/28/10		TITLE <b>8mm X 480mm WARM WHITE LED LIGHT BAR</b>					
<b>A</b> RELEASED 4/22/08		DRAWN BY L. WENGSTROM APP'D BY L.R. 6/21/11		SIZE <b>A</b>	FSCM NO. <b>55335</b>	DRAWING NO. <b>ZRS-8480-WW</b>			
REV. NO.	DESCRIPTION/ECO NUMBER	APP'VD DATE	- CAD DRAWING - MANUAL REVISIONS NOT PERMITTED		SCALE NONE	RELEASED DATE 4/22/08	REVISION DATE 6/21/11	REV. NO. <b>B</b>	SHEET 1 OF 1

# Mouser Electronics

Authorized Distributor

Click to View Pricing, Inventory, Delivery & Lifecycle Information:

[JKL Components:](#)

[ZRS-8480-WW](#)