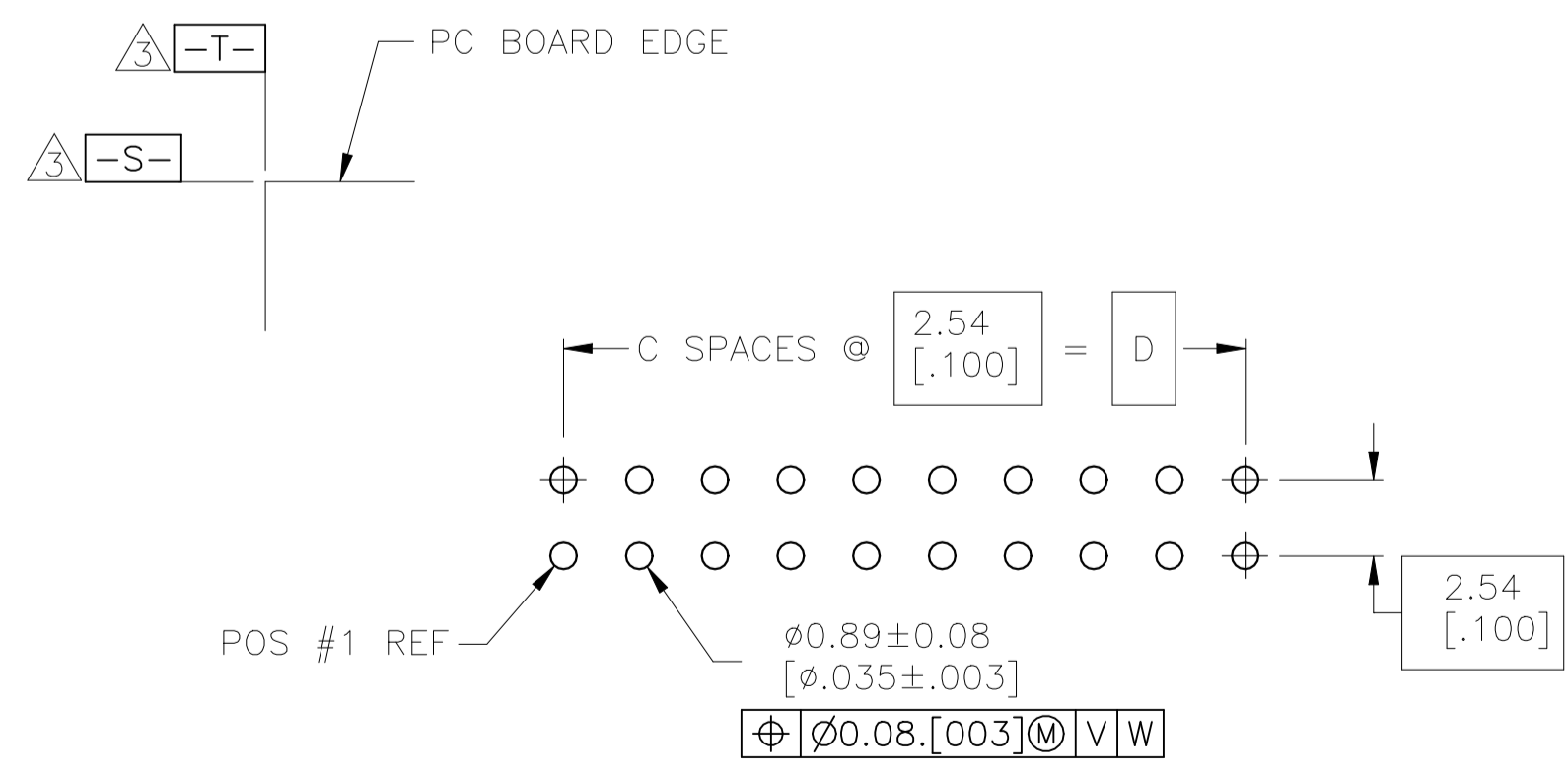
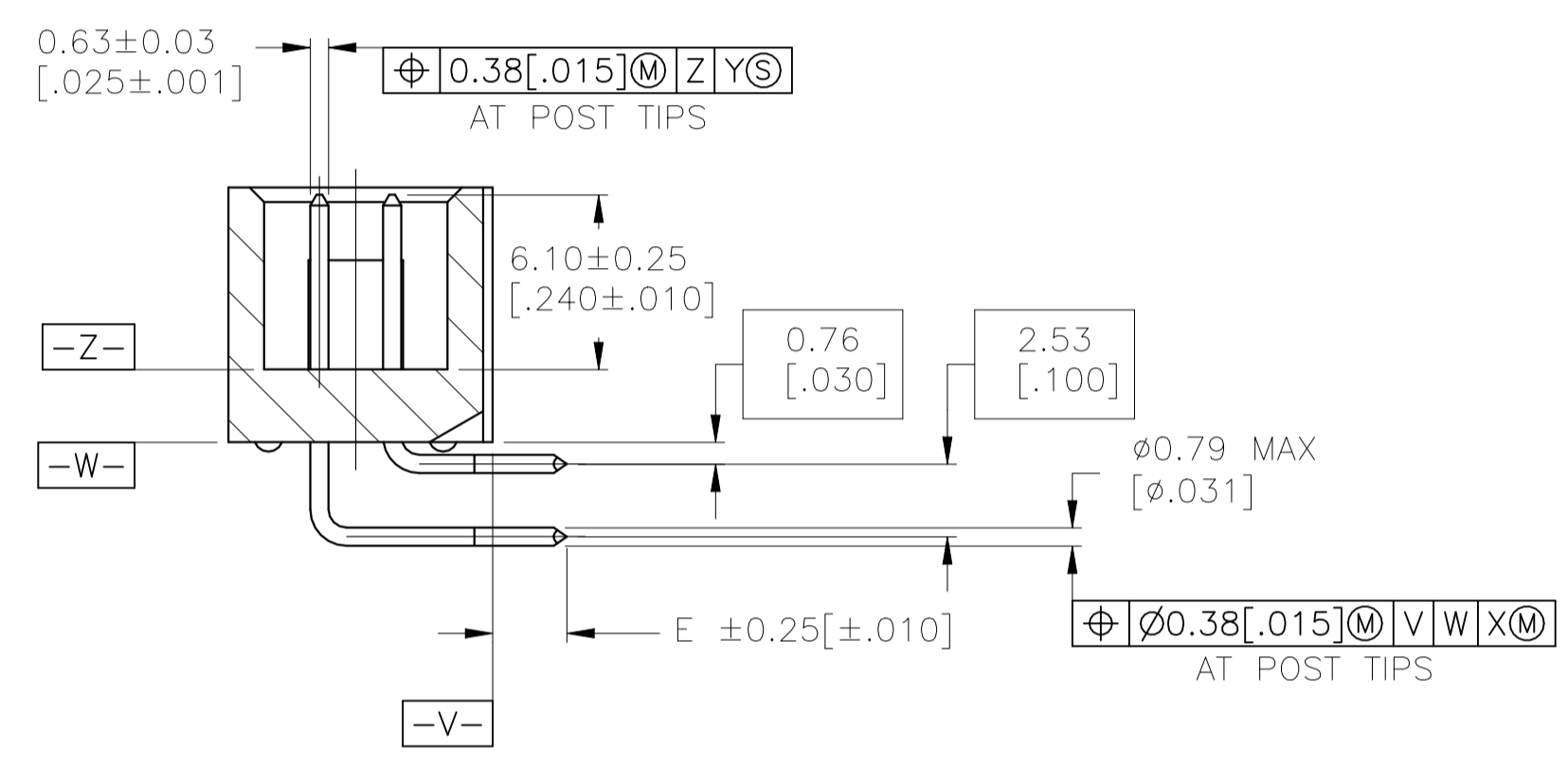
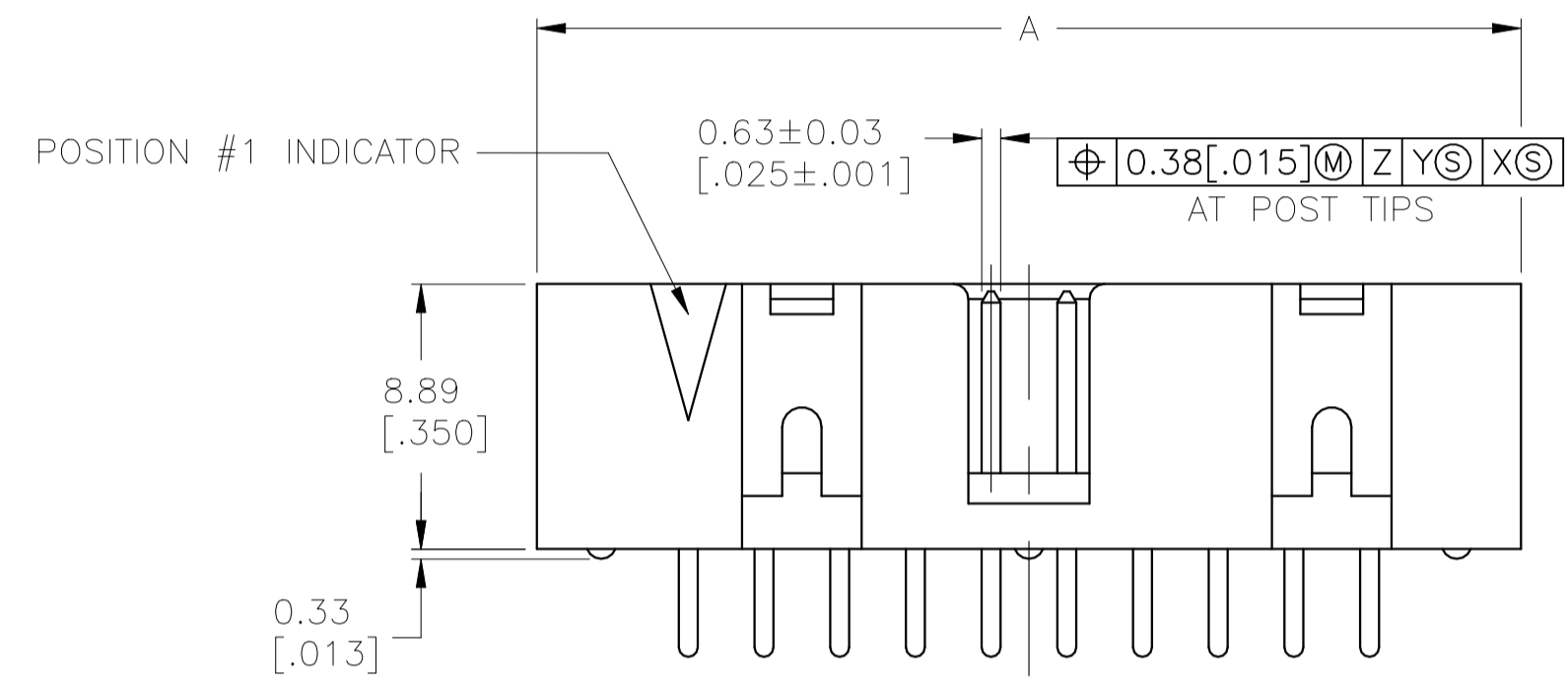
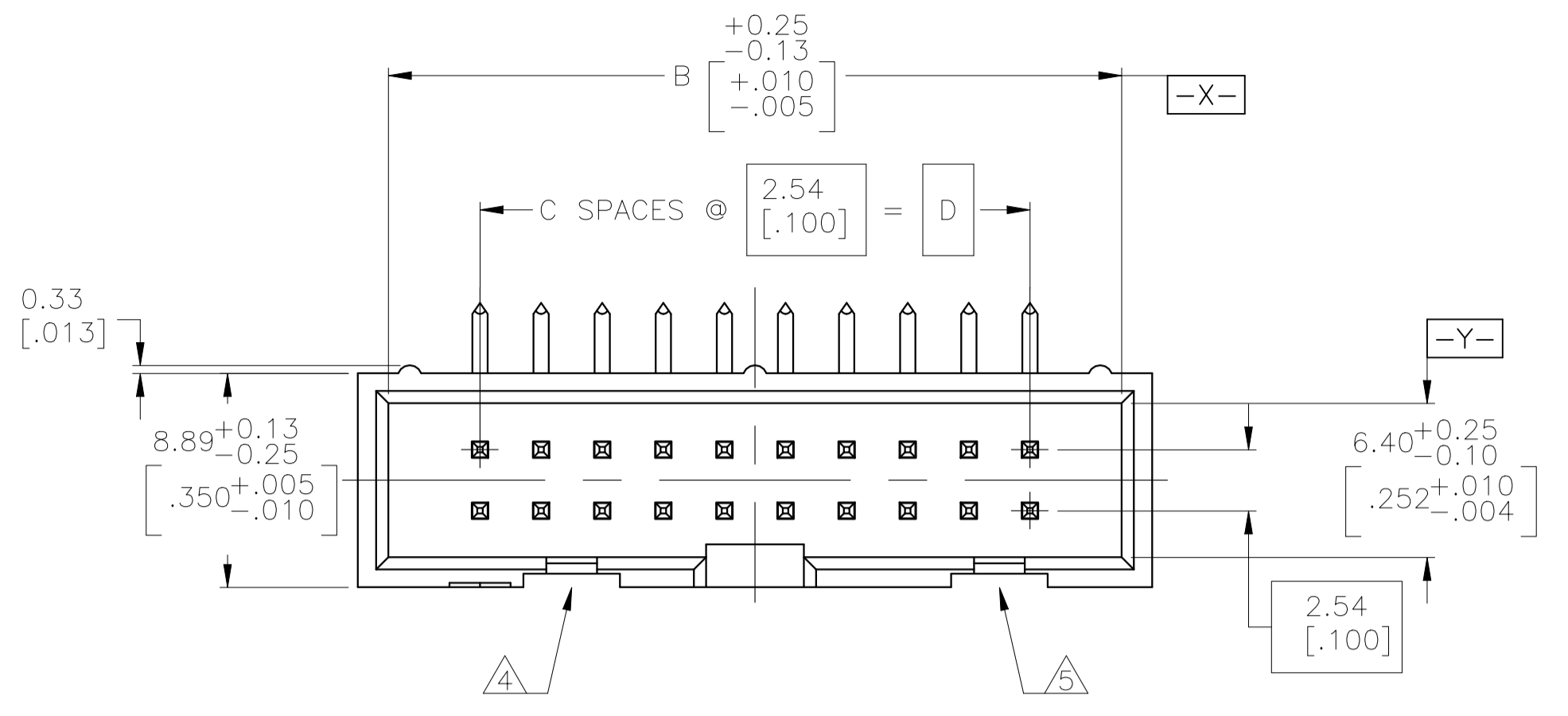


REVISIONS				
REV	DATE	BY	CHKD	APPD
H2	05JAN2021	E.Z		V.S



RECOMMENDED PC BOARD LAYOUT (VIEWED FROM CONNECTOR SIDE)

- 1 HOUSING: PBT, UL94V-0, COLOR (SEE TABLE).
- 2 POSTS: PHOSPHOR BRONZE.
- 3 POSTS: 0.00076[0.00030] MIN GOLD ON MATING AREA, 0.00254[0.00100] MIN TIN ON SOLDER END, ALL OVER 0.00127[0.00050] MIN NICKEL ON ENTIRE POST.
- 4 DATUMS S & T TO BE ESTABLISHED BY CUSTOMER.
- 5 NO KEYING SLOT ON THIS END FOR 6, 10, 12 & 14 POSITION ASSEMBLIES.
- 6 NO KEYING SLOT ON THIS END FOR 6 & 10 POSITION ASSEMBLIES.

REV	DESCRIPTION	DATE	BY	CHKD	APPD
H2	ECR-20-017591	05JAN2021	E.Z		V.S

REV	DESCRIPTION	DATE	BY	CHKD	APPD		
4.06 [0.160]	BLUE	10.16 [0.400]	4	17.78 [0.700]	20.32 [0.800]	10	4-1761605-0
	BLUE	78.74 [3.400]	31	86.36 [3.400]	88.90 [3.500]	64	3-1761605-7
	BLUE	60.96 [2.400]	24	68.58 [2.700]	71.12 [2.800]	50	3-1761605-5
	BLUE	53.34 [2.100]	21	60.96 [2.400]	63.50 [2.500]	44	3-1761605-4
	BLUE	48.26 [1.900]	19	55.88 [2.200]	58.42 [2.300]	40	3-1761605-3
	BLUE	43.18 [1.700]	17	50.80 [2.000]	53.34 [2.100]	36	3-1761605-2
	BLUE	40.64 [1.600]	16	48.26 [1.900]	50.80 [2.000]	34	3-1761605-1
	BLUE	35.56 [1.400]	14	43.18 [1.700]	45.72 [1.800]	30	3-1761605-0
	BLUE	30.48 [1.200]	12	38.10 [1.500]	40.64 [1.600]	26	2-1761605-9
	BLUE	27.94 [1.100]	11	35.56 [1.400]	38.10 [1.500]	24	2-1761605-8
	BLUE	22.86 [0.900]	9	30.48 [1.200]	33.02 [1.300]	20	2-1761605-7
	BLUE	17.78 [0.700]	7	25.40 [1.000]	27.94 [1.100]	16	2-1761605-6
	BLUE	15.24 [0.600]	6	22.86 [0.900]	25.40 [1.000]	14	2-1761605-5
	BLUE	12.70 [0.500]	5	20.32 [0.800]	22.86 [0.900]	12	2-1761605-4
	BLUE	10.16 [0.400]	4	17.78 [0.700]	20.32 [0.800]	10	2-1761605-3
2.59 [0.102]	BLUE	5.08 [0.200]	2	12.70 [0.500]	15.24 [0.600]	6	2-1761605-1
OBSOLETE	BLACK	73.66 [2.900]	29	81.28 [3.200]	83.82 [3.300]	60	1-1761605-6
OBSOLETE	BLACK	60.96 [2.400]	24	68.58 [2.700]	71.12 [2.800]	50	1-1761605-5
OBSOLETE	BLACK	53.34 [2.100]	21	60.96 [2.400]	63.50 [2.500]	44	1-1761605-4
OBSOLETE	BLACK	48.26 [1.900]	19	55.88 [2.200]	58.42 [2.300]	40	1-1761605-3
OBSOLETE	BLACK	40.64 [1.600]	16	48.26 [1.900]	50.80 [2.000]	34	1-1761605-1
OBSOLETE	BLACK	35.56 [1.400]	14	43.18 [1.700]	45.72 [1.800]	30	1-1761605-0
OBSOLETE	BLACK	30.48 [1.200]	12	38.10 [1.500]	40.64 [1.600]	26	1761605-9
OBSOLETE	BLACK	22.86 [0.900]	9	30.48 [1.200]	33.02 [1.300]	20	1761605-7
OBSOLETE	BLACK	17.78 [0.700]	7	25.40 [1.000]	27.94 [1.100]	16	1761605-6
OBSOLETE	BLACK	15.24 [0.600]	6	22.86 [0.900]	25.40 [1.000]	14	1761605-5
OBSOLETE	BLACK	10.16 [0.400]	4	17.78 [0.700]	20.32 [0.800]	10	1761605-3
E	HOUSING COLOR	D	C	B	A	NO OF POS	PART NUMBER

**COPYRIGHT 2005
TE CONNECTIVITY CORP
ALL RIGHTS RESERVED**

THIS DRAWING IS A CONTROLLED DOCUMENT.

DIMENSIONS: mm [INCHES]	TOLERANCES UNLESS OTHERWISE SPECIFIED:	DIN J. GERACE 11FEB05	11FEB05	TE Connectivity			
0. PLC ± -	1. PLC ± -	2. PLC ± -	3. PLC ± 0.13[0.005]	4. PLC ± -	ANGLES ± -		
MATERIAL	FINISH	APPROVED BY: M. WALMSLEY 11FEB05	NAME	SIZE	CAGE CODE	DRAWING NO.	RESTRICTED TO
		PRODUCT SPEC	APPLICATION SPEC	0.000000	A1	00779	1761605
		WEIGHT	CUSTOMER DRAWING	SCALE	4:1	SHEET	1 of 1

Mouser Electronics

Authorized Distributor

Click to View Pricing, Inventory, Delivery & Lifecycle Information:

[TE Connectivity:](#)

[2-1761605-7](#)