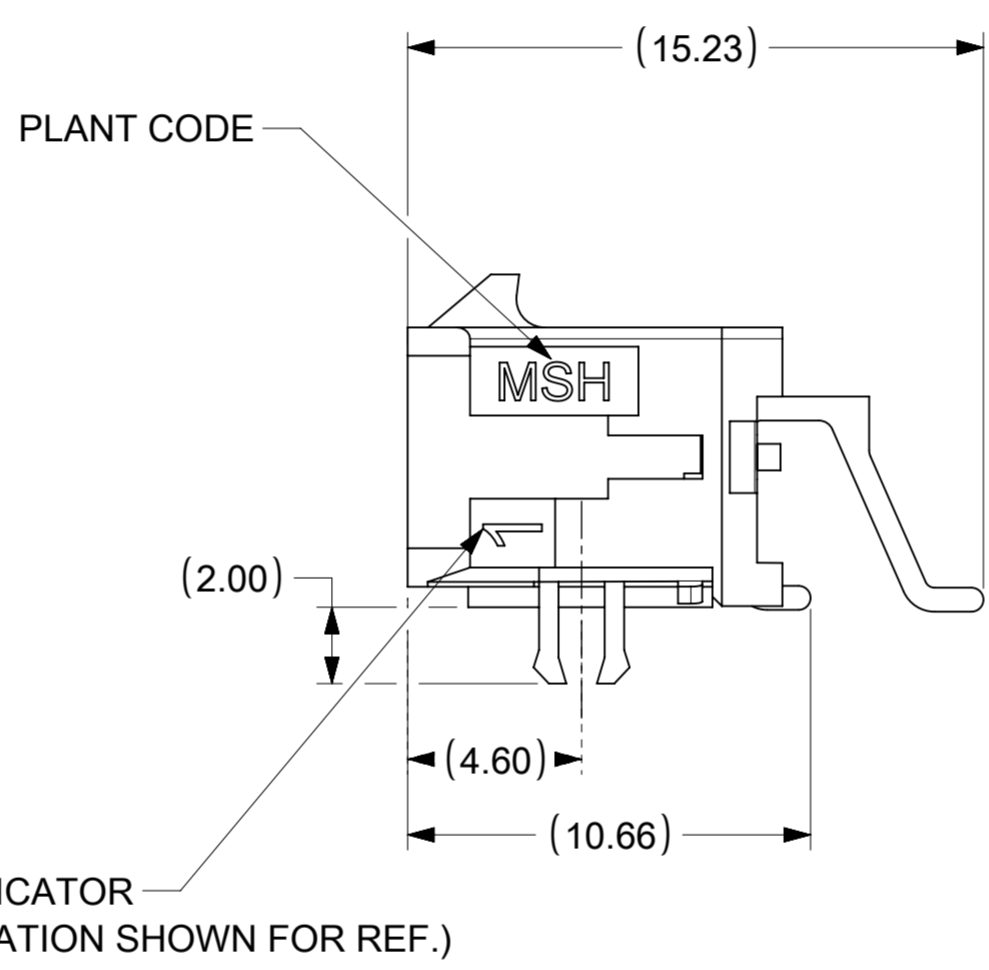
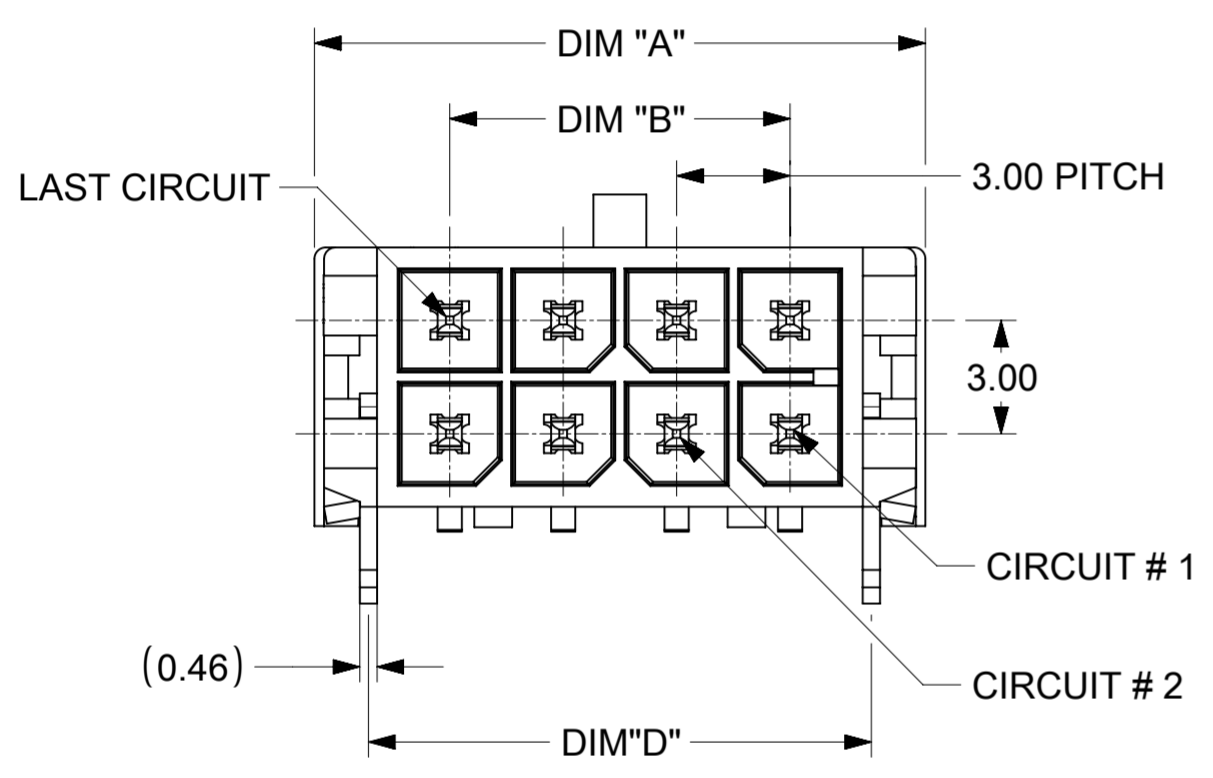
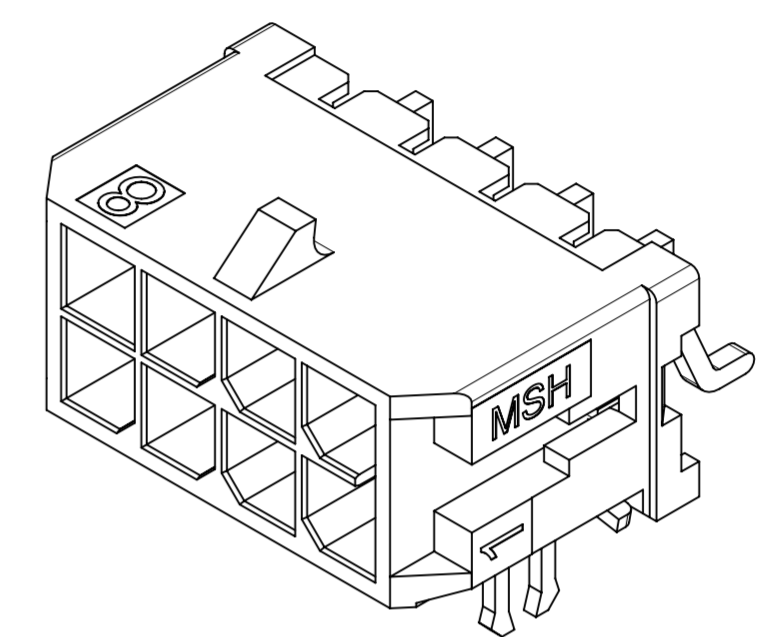
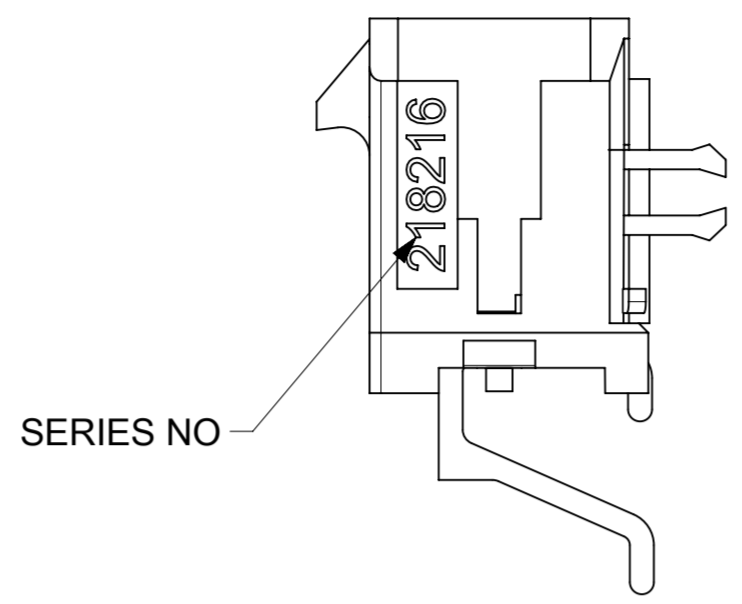
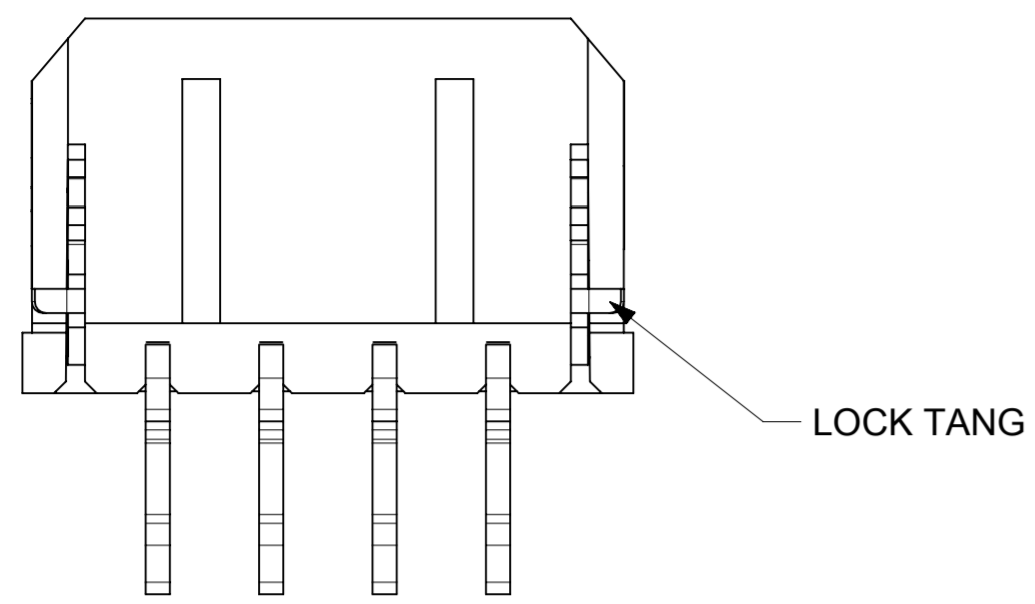
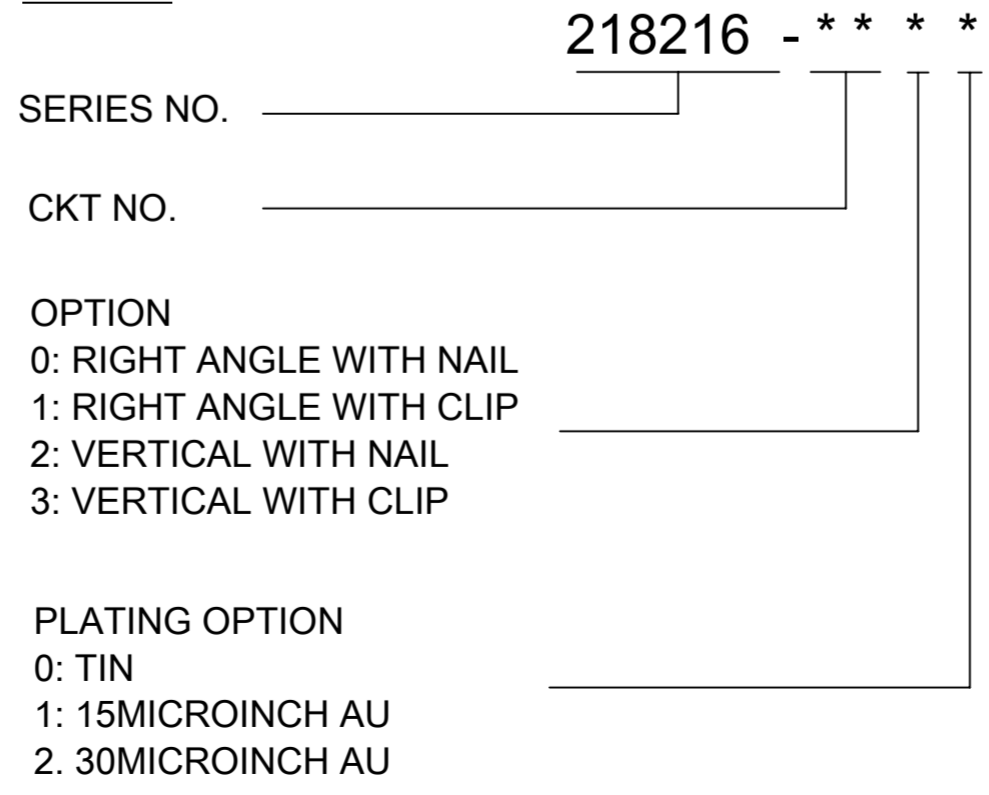


FINISH TYPE	TIN			15MICROINCH GOLD		30MICROINCH GOLD		
	CKT	HDR ASSY PN	HDR ASSY PN	HDR ASSY PN	A	B	C	D
2	2182160210	2182160211	2182160212	2182160212	7.16	3.00	2.95	4.30
4	2182160410	2182160411	2182160412	2182160412	10.16	3.00	2.95	7.30
6	2182160610	2182160611	2182160612	2182160612	13.16	6.00	2.95	10.30
8	2182160810	2182160811	2182160812	2182160812	16.16	9.00	7.70	13.30

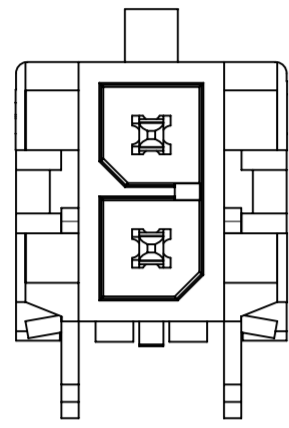


- NOTES:
- HOSING MATERIAL: GLASS FILLED LIQUID CRYSTAL POLYMER, UL 94V-0, COLOR: BLACK
TERMINAL MATERIAL: HIGH COPPER ALLOY
 - FINISH:
OPTION 1: REFLOW MATTE TIN OVER NICKEL
OPTION 2: SELECT 15MICROINCH GOLD AND SELECT MATTE TIN OVER NICKEL.
OPTION 3: SELECT 30MICROINCH GOLD AND SELECT MATTE TIN OVER NICKEL.
 - PRODUCT SPECIFICATION : 2064600000-PS
 - PRODUCT TEST SUMMARY: 2064600000-TS
 - T&R PACK : 2182160001-PK
 - MATE WITH RECEPTACLE 206461
 - TO AVOID INTERFERENCE BETWEEN RECEPTACLE AND PCB HEADERS MUST BE PLACED WITHIN,4.00MAX FROM THE EDGE OF PCB, AS SHOWN IN THE LOCATION DETAILS
 - METAL TAB MAY BE FLUSH WITH PCB, NO EXPOSED TRACE OR VIAS ALLOWED NEAR THESE AREAS.
 - THE COPLANARITY DIMENSION IS ESTABLISHED BY PLACING THE ASSEMBLY ON A FLAT SURFACE. THE DISTANCE FROM THAT SURFACE TO THE BOTTOM OF ANY TERMINAL OR NAIL MUST NOT EXCEED 0.15
 - THIS PART CONFORMS TO CLASS 'B' REQUIREMENTS OF COSMETIC SPECIFICATION PS-45499-002.

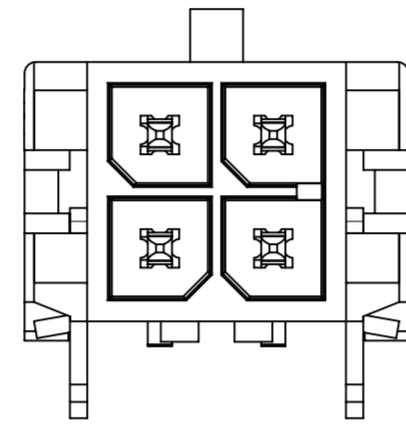
LEGEND



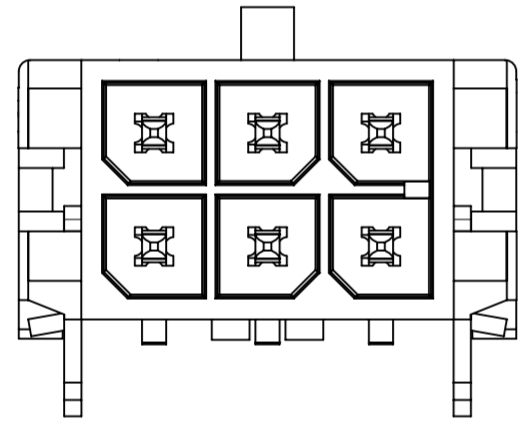
THIS DRAWING CONTAINS INFORMATION THAT IS PROPRIETARY TO MOLEX ELECTRONIC TECHNOLOGIES, LLC AND SHOULD NOT BE USED WITHOUT WRITTEN PERMISSION													
DIMENSION UNITS		SCALE		CURRENT REV DESC:									
mm		NTS											
GENERAL TOLERANCES (UNLESS SPECIFIED)				molex MICRO-FIT PLUS DUAL ROW RIGHT ANGLE SMT HEADER WITH PRESS CLIP PRODUCT CUSTOMER DRAWING									
ANGULAR TOL ± 3.0°													
4 PLACES ±		EC NO: 724761								DRWN: ALU002		2021/04/21	
3 PLACES ±		CHK'D: XQZHANG								2022/10/17			
2 PLACES ± 0.25		APPR: XQZHANG								2022/10/17			
1 PLACE ± 0.36		INITIAL REVISION:		DRWN: ALU002		2021/04/21		DOCUMENT NUMBER					
0 PLACES ±		APPR: XQZHANG		2022/10/17		2182160010-SD		DOC TYPE DOC PART REVISION					
DRAFT WHERE APPLICABLE MUST REMAIN WITHIN DIMENSIONS		THIRD ANGLE PROJECTION		DRAWING		SERIES		MATERIAL NUMBER					
				A2-SIZE		218216		SEE TABLE					
				GENERAL MARKET				SHEET NUMBER					
								1 OF 2					



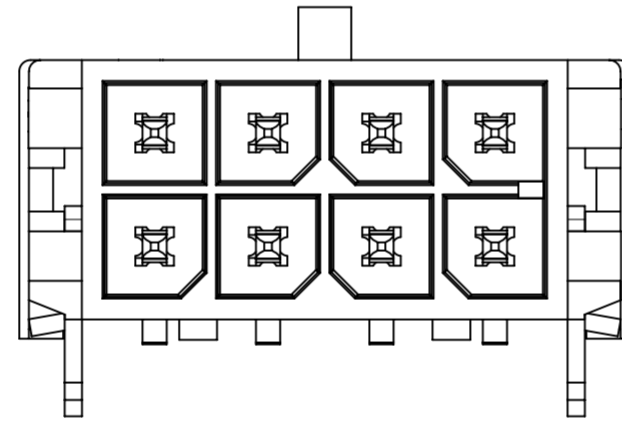
2CKT



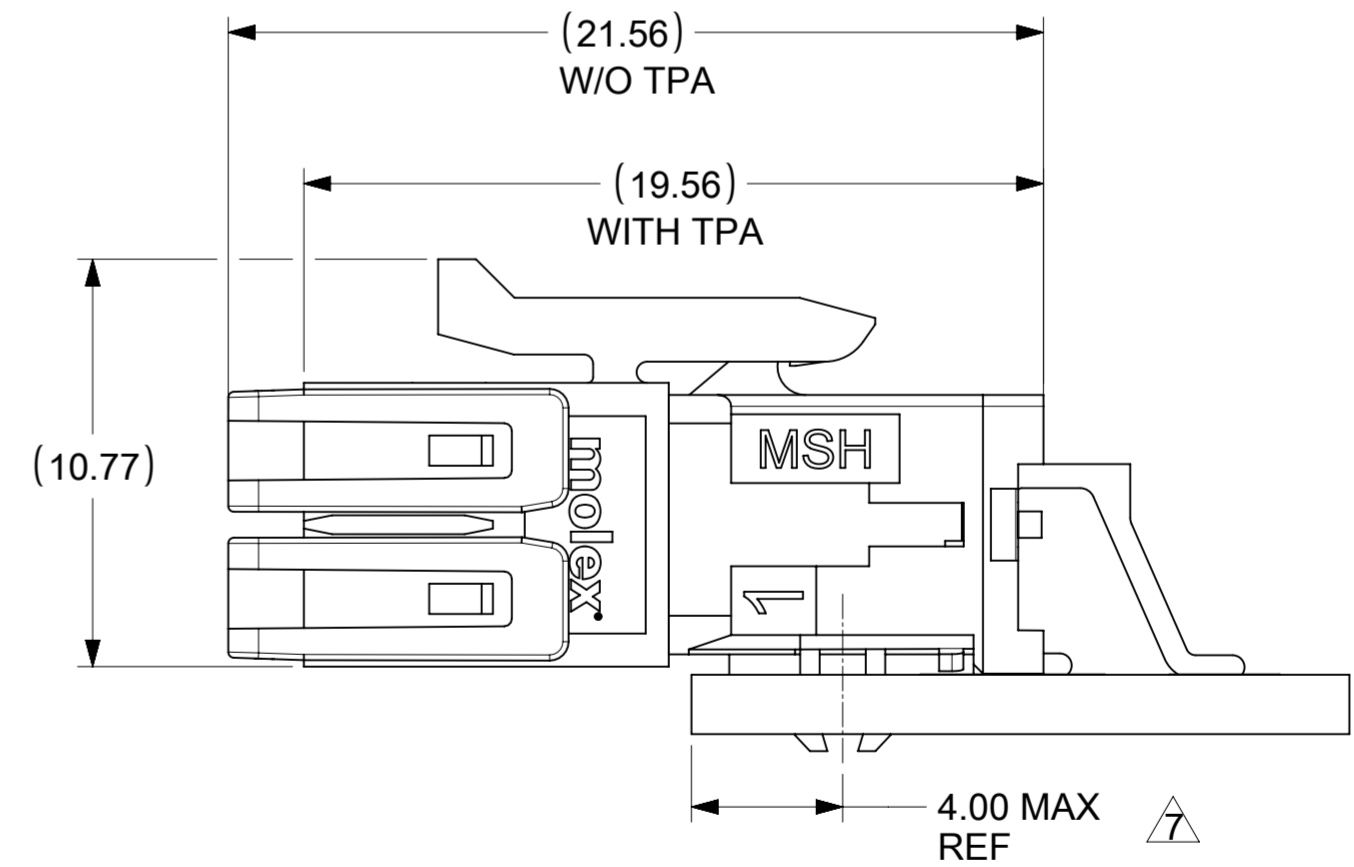
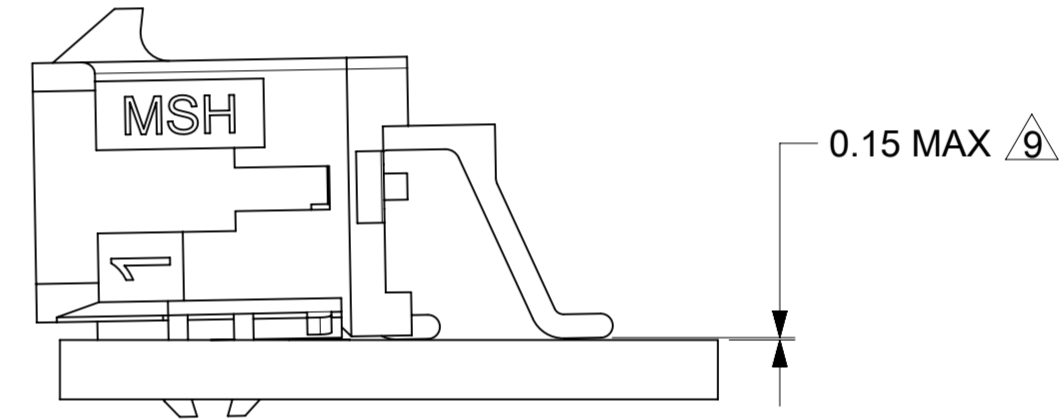
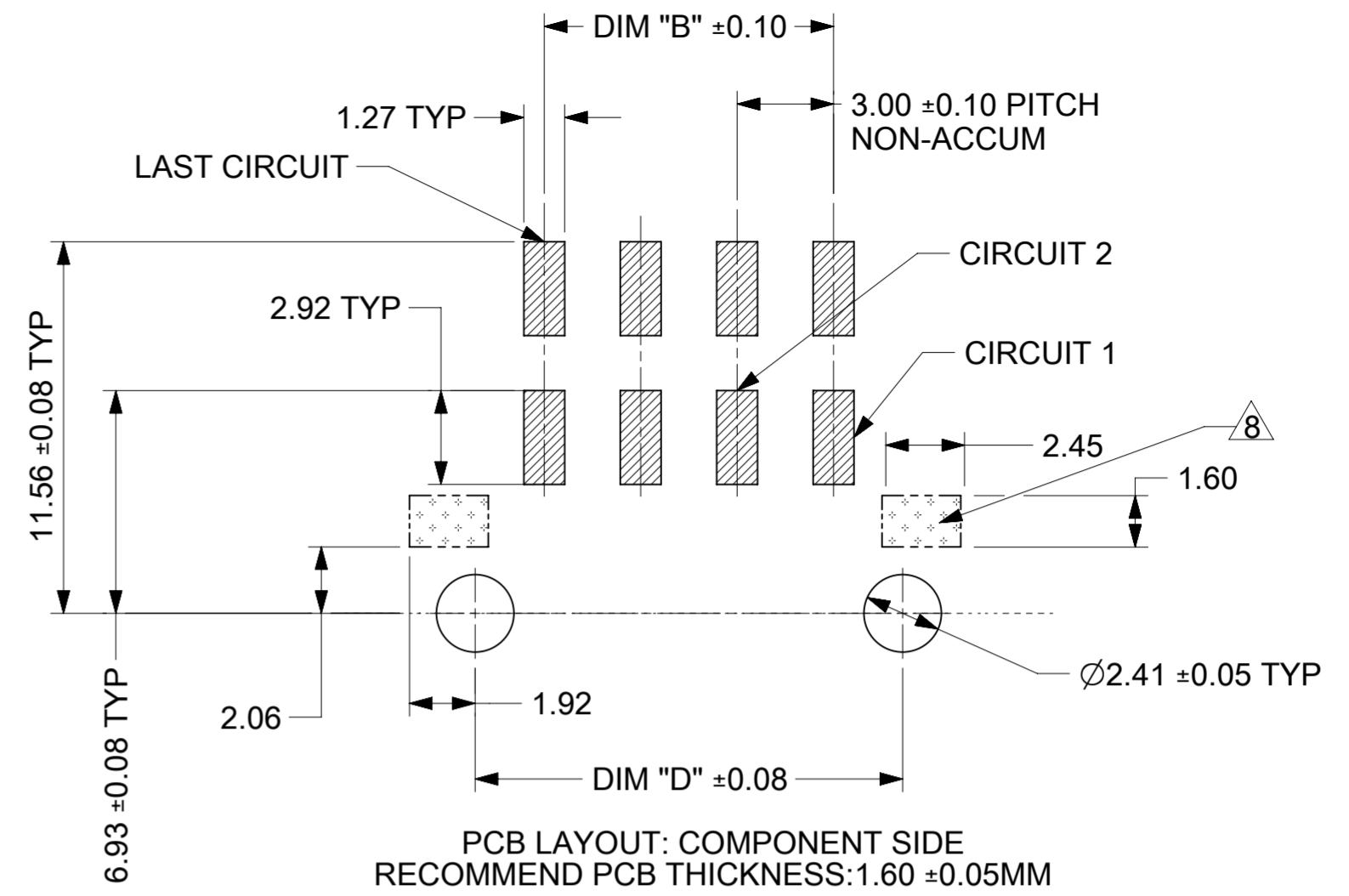
4CKT



6CKT



8CKT



THIS DRAWING CONTAINS INFORMATION THAT IS PROPRIETARY TO MOLEX ELECTRONIC TECHNOLOGIES, LLC AND SHOULD NOT BE USED WITHOUT WRITTEN PERMISSION

DIMENSION UNITS	SCALE	CURRENT REV DESC:		molex				
mm	NTS							
GENERAL TOLERANCES (UNLESS SPECIFIED)				MICRO-FIT PLUS DUAL ROW RIGHT ANGLE SMT HEADER WITH PRESS CLIP				
ANGULAR TOL ± 3.0°				PRODUCT CUSTOMER DRAWING				
4 PLACES	±	EC NO: 724761	2021/04/21	DOCUMENT NUMBER		DOC TYPE	DOC PART	REVISION
3 PLACES	±	DRWN: ALU002	2022/10/17	2182160010-SD		PSD	000	A
2 PLACES	± 0.25	CHK'D: XQZHANG	2022/10/17	MATERIAL NUMBER		CUSTOMER		SHEET NUMBER
1 PLACE	± 0.36	APPR: XQZHANG	2022/10/17	SEE TABLE		GENERAL MARKET		2 OF 2
0 PLACES	±	INITIAL REVISION:						
DRAFT WHERE APPLICABLE MUST REMAIN WITHIN DIMENSIONS		THIRD ANGLE PROJECTION	DRAWING	SERIES				
			A2-SIZE	218216				