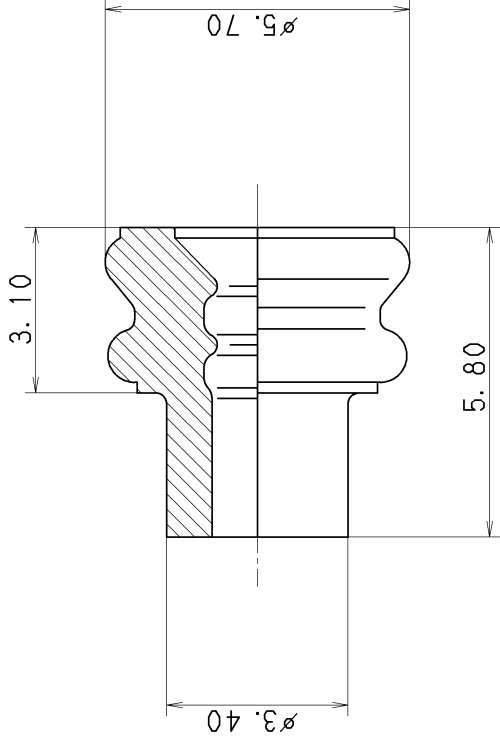
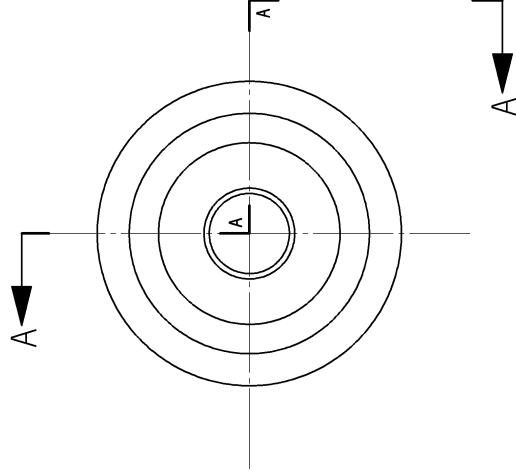


RUBBER PART GENERAL TOLERANCE			
PART DIM.	1	(2)	3
0 TO 3	± 0.2	± 0.3	± 0.4
3 TO 6	± 0.2	± 0.4	± 0.5
6 TO 10	± 0.3	± 0.5	± 0.6
10 TO 18	± 0.3	± 0.6	± 0.8
18 TO 30	± 0.4	± 0.8	± 1.0
30 TO 50	± 0.5	± 1.0	± 1.5
50 TO 80	± 0.6	± 1.2	± 2.0
80 TO 120	± 0.7	± 1.4	± 2.5
120 TO 180	± 0.8	± 1.6	± 3.0
180 TO 250	± 1.0	± 2.0	± 4.0
250 TO 315	± 1.2	± 2.5	± 5.0
315 TO 400	± 1.5	± 3.0	± 6.0
400 TO 500	± 1.8	± 3.5	± 7.0
500 OVER	± 0.4 %	± 0.8 %	± 1.5 %



SEC. A-A

注記

- 1) 色 : 黒
- 2) 材料 : NBR
- 3) 通用電線サイズAVS0.5~AEX1.25相当とする。

NOTES

- 1) COLOR : BLACK
- 2) MATL&SPEC : NBR
- 3) APPLICABLE WIRE SIZE EQUIVALENT TO AVS 0.5~AEX 1.25.

MATERIAL SPEC.		SEE NOTES		TREAT. & FIN.	
NAME		090, RUBBER STOPPER		(USE FOR 5.30 DIA CAVITY)	
PART NO.		7157-3648		CH. CODE	
DWG NO.		7157-3648:R		SET DWG NO.	
YAZAKI CORPORATION					
CUSTOMER		CUSTOMER PART NO.		CUSTOMER DWG NO.	
OFFICE		TRIAL PART NO.			
VENDOR NO.					
DWG TYPE		DWG SOURCE		DWG DATE	
R		NEW		85.04.15	
APPROVED		CHECKED		DESIGN	
M. YAMANASHI		S. SUZUKI		C. TORII	
09.09.02		09.09.02		09.02.85.01.11	
09.09.02		09.09.02		09.09.02	
SCL		ANGLE			
10/1		3			
DRAWN		DESIGN		DRAWN	
C. SANJOAQUIN		TSUJI		C. SANJOAQUIN	
MASS					
RUBBER PART GENERAL TOLERANCE 2					

Mouser Electronics

Authorized Distributor

Click to View Pricing, Inventory, Delivery & Lifecycle Information:

[Yazaki:](#)

[71573648](#)