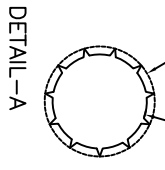
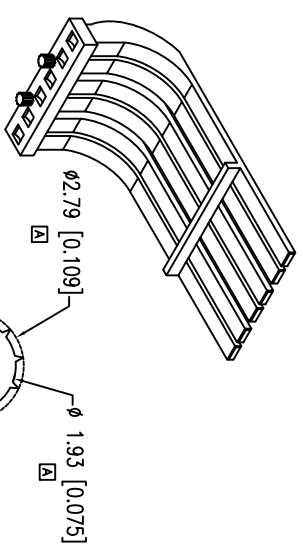
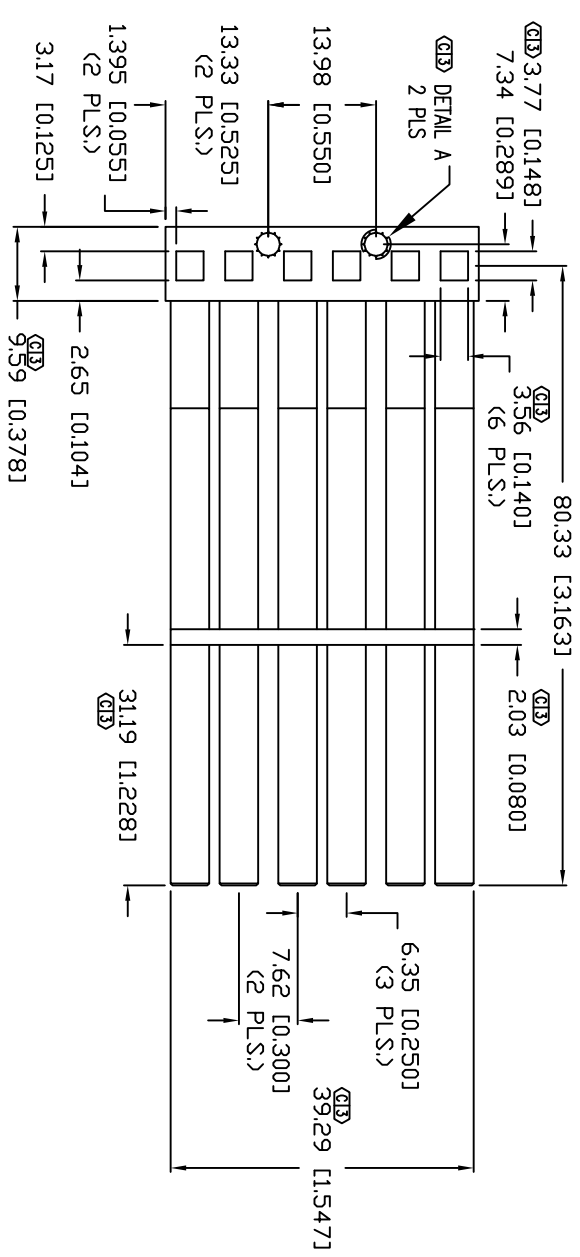
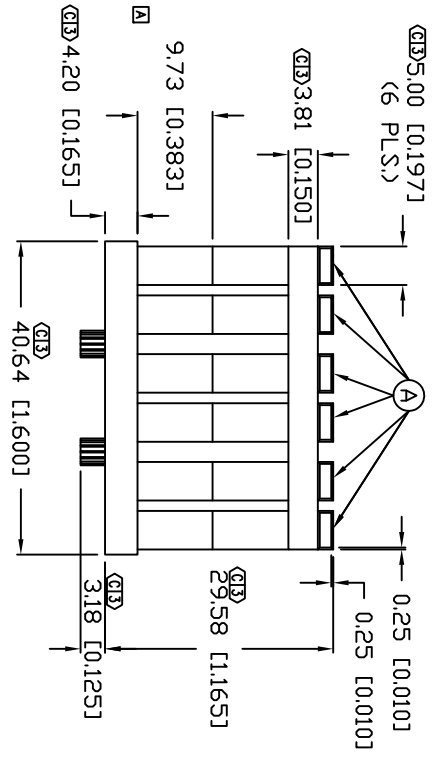
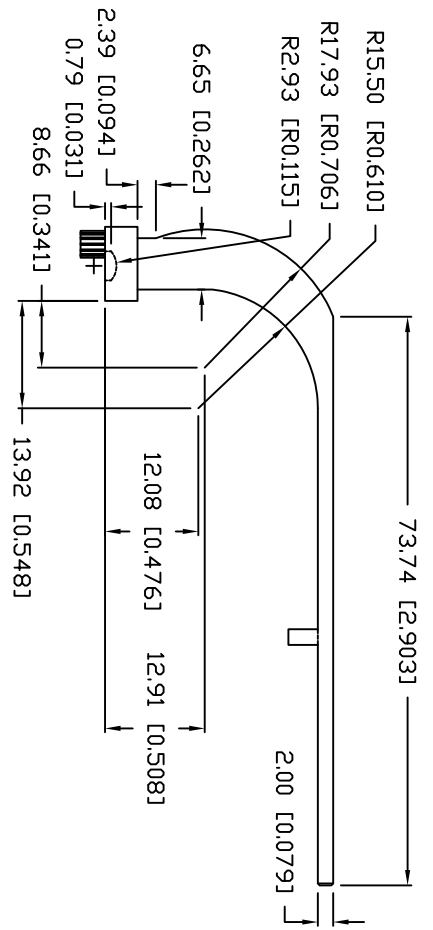


DATE	E.C.N. NUMBER AND REVISION COMMENTS	REV.
01.06.16	E.C.N. #11980 CHANGED MOUNTING LUG SIZE.	A



NOTES:

1. MATERIAL: WATER CLEAR UL 94V-0.
2. TEMPERATURE RANGE: -60 TO +125°C.
3. DIFFUSED FINISHES ON SURFACES MARKED 'A'.
4. EDGES ARE CHAMFERED 0.25mm ALL AROUND.
5. ALL OTHER SURFACES TO HAVE SMOOTH FINISHES.

*UNLESS OTHERWISE SPECIFIED TOLERANCES PER DECIMAL PRECISION ARE: X±1 (+0.039), XX±0.5 (+0.020), XXX±0.25 (+0.010), XXXX±0.127 (+0.005), LEAD SIZE=±0.08 (+0.002), LEAD LENGTH=±0.75 (+0.030), MIN=-0.00, DECIMAL PRECISION MAX.=+0.00, DECIMAL PRECISION

UNCONTROLLED DOCUMENT

REV. A PART NUMBER LFP-R061251S

6 UNIT LIGHTPIPE.

LUMEX
 Creating LED and LED Solutions Together™
 425 N GARY AVE
 CAROL STREAM, IL 60180
 PHONE: 630-315-2150
 US WEB: www.lumex.com

DRAWN BY: GB	CHECKED BY:	APPROVED BY:	DATE: 6.19.02
			PAGE: 1 OF 1
			SCALE: N/A

CONFIDENTIAL INFORMATION
 THE INFORMATION CONTAINED IN THIS DOCUMENT IS THE PROPERTY OF LUMEX INC. EXCEPT AS SPECIFICALLY AUTHORIZED IN WRITING BY LUMEX INC., THE HOLDER OF THIS DOCUMENT SHALL KEEP ALL INFORMATION CONTAINED HEREIN CONFIDENTIAL AND SHALL PROTECT SAME IN WHOLE OR IN PART FROM DISCLOSURE AND DISSEMINATION TO ALL THIRD PARTIES.
 RELIABILITY NOTE
 OUR MANY YEARS OF EXPERIENCE DATA ACCUMULATION INDICATE THAT SOLDER HEAT IS A MAJOR CAUSE OF EARLY AND FUTURE FAILURE. PLEASE PAY ATTENTION TO YOUR SOLDERING PROCESS.

Mouser Electronics

Authorized Distributor

Click to View Pricing, Inventory, Delivery & Lifecycle Information:

[Lumex:](#)

[LPF-R061251S](#)