



SMT power inductors

Size 12.5 x 12.5 x 6 (mm)

Series/Type: B82477P2

Ordering code:

Date: June 2012

© EPCOS AG 2015. Reproduction, publication and dissemination of this publication, enclosures hereto and the information contained therein without EPCOS' prior express consent is prohibited.

EPCOS AG is a TDK Group Company.

SMT power inductors

Size 12.5 x 12.5 x 6 (mm)

B82477P2

Preliminary data

Rated inductance 1 ... 1000 μ H

Rated current 0.53 ... 9.25 A



Construction

- Ferrite core
- Magnetically shielded
- Winding: enamel copper wire
- Winding soldered to terminals
- Injection molded base

Features

- High mechanical stability
- Temperature range up to +150 °C
- High rated current
- Low DC resistance
- Suitable for lead-free reflow soldering as referenced in JEDEC J-STD 020D
- Qualification to AEC-Q200
- RoHS-compatible

Applications

- Filtering of supply voltages
- Coupling, decoupling
- DC/DC converters
- Automotive electronics

Terminals

- Base material
 - Cu ($L \leq 10\mu\text{H}$) CuSn6P ($L \geq 15\mu\text{H}$)
- Layer composition Ni, Sn (lead-free)
- Electro-plated

Marking

- Marking on component:
 - Manufacturer, L value (μH , coded), manufacturing date (YWWDD)
- Minimum data on reel:
 - Manufacturer, ordering code, L value, quantity, date of packing

Delivery mode and packing unit

- 24-mm blister tape, wound on 330-mm reel
- Packing unit: 600 pcs./reel

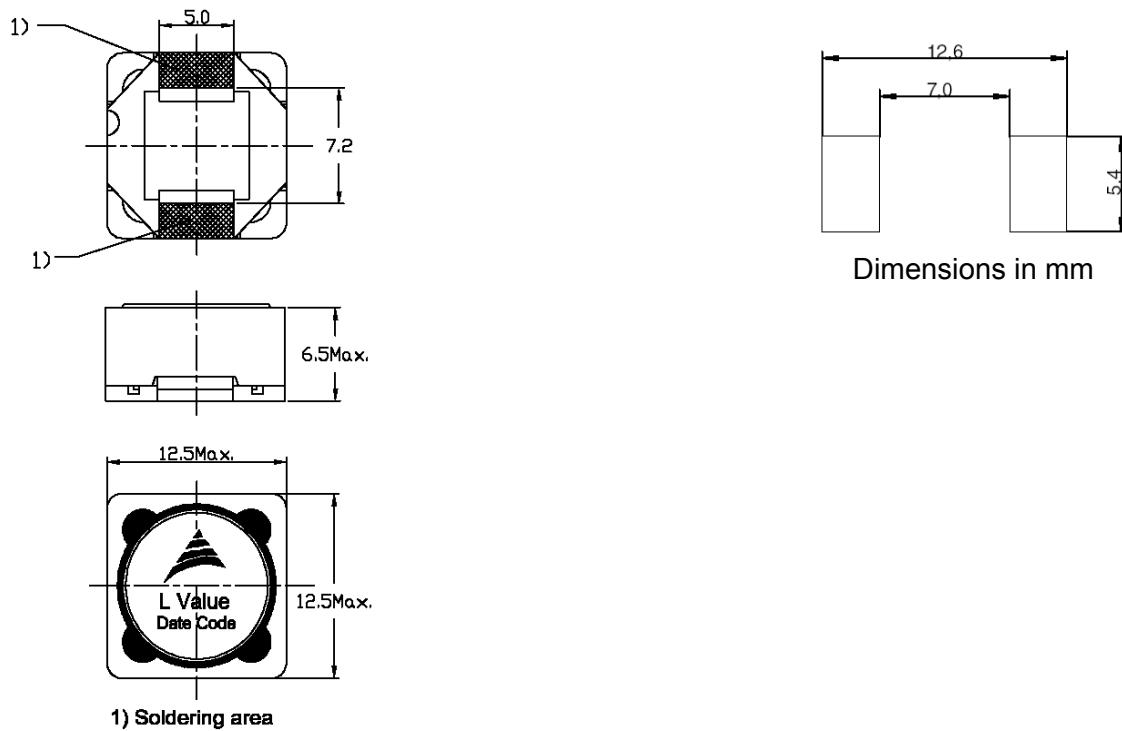
SMT power inductors

Size 12.5 x 12.5 x 6 (mm)

B82477P2

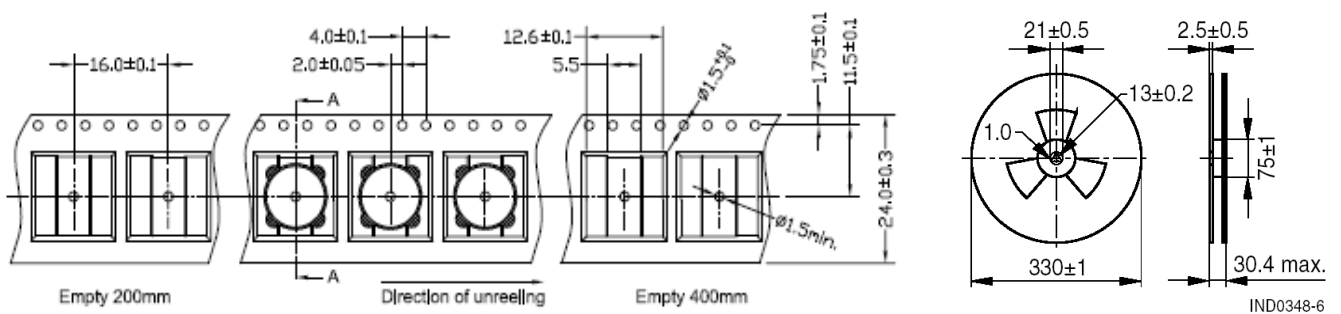
Preliminary data

Dimensional drawing and layout recommendation



Taping and packing

Blister tape and Reel



Dimensions in mm

SMT power inductors
Size 12.5 x 12.5 x 6 (mm)
B82477P2
Preliminary data
Technical data and measuring conditions

Rated inductance L_R	Measured with LCR meter Agilent 4284A at frequency f_L , 0.1 V, +20 °C
Rated temperature T_R	+85 °C
Rated current I_R	Max. permissible DC with temperature increase of ≤ 40 K at rated temperature
Saturation current I_{Sat}	Max. permissible DC with inductance decrease $\Delta L/L_0$ of approx. 10%,
DC resistance R_{typ}	Measured at +20 °C
Solderability (lead-free)	Dip and look method Sn95.5Ag3.8Cu0.7: +(245 ±5) °C, (3 ±0.3) s Wetting of soldering area $\geq 90\%$ (based on IEC 60068-2-58)
Resistance to soldering heat	+260 °C, 40 s (as referenced in JEDEC J-STD 020D)
Climatic category	55/150/56 (to IEC 60068-1)
Storage conditions	Mounted: -55 °C ... +150 °C Packaged: -25 °C ... +40 °C, $\leq 75\%$ RH
Weight	Approx. 3.3 g

SMT power inductors
Size 12.5 x 12.5 x 6 (mm)
B82477P2
Preliminary data
Characteristics and ordering codes

L_R	Tolerance	f_L	I_R	I_{sat}	R_{max}	Ordering code
μH		MHz	A	A	Ω	
1.0	20% = M	0.1	9.25	10.0	0,008	B82477P2102M000
1.5		0.1	8.70	8.70	0,010	B82477P2152M000
2.2		0.1	7.20	8.00	0,012	B82477P2222M000
3.3		0.1	6.70	7.20	0,014	B82477P2332M000
4.7		0.1	5.40	5.70	0,016	B82477P2472M000
6.8		0.1	4.80	4.80	0,020	B82477P2682M000
10		0.1	4.30	4.00	0,025	B82477P2103M000
15		0.1	3.70	3.30	0,030	B82477P2153M000
22		0.1	3.40	2.80	0,036	B82477P2223M000
33		0.1	2.70	2.20	0,055	B82477P2333M000
47		0.1	2.40	1.90	0,070	B82477P2473M000
68		0.1	1.85	1.50	0,110	B82477P2683M000
100		0.1	1.65	1.30	0,140	B82477P2104M000
150		0.1	1.35	1.00	0,210	B82477P2154M000
220		0.1	1.15	0.80	0,300	B82477P2224M000
330		0.1	0.95	0.68	0,460	B82477P2334M000
470	0.1	0.80	0.58	0,550	B82477P2474M000	
680	0.1	0.62	0.48	1,050	B82477P2684M000	
1000	0.1	0.53	0.40	1,300	B82477P2105M000	

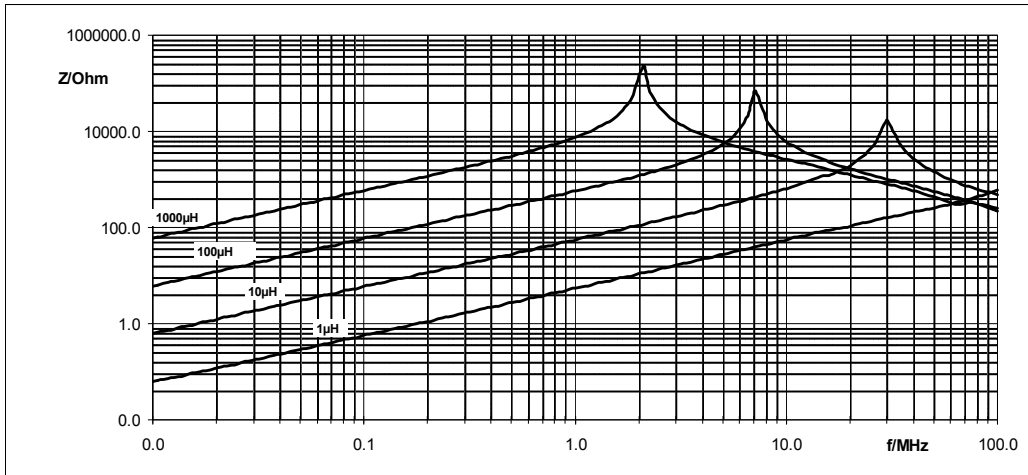
SMT power inductors

Size 12.5 x 12.5 x 6 (mm)

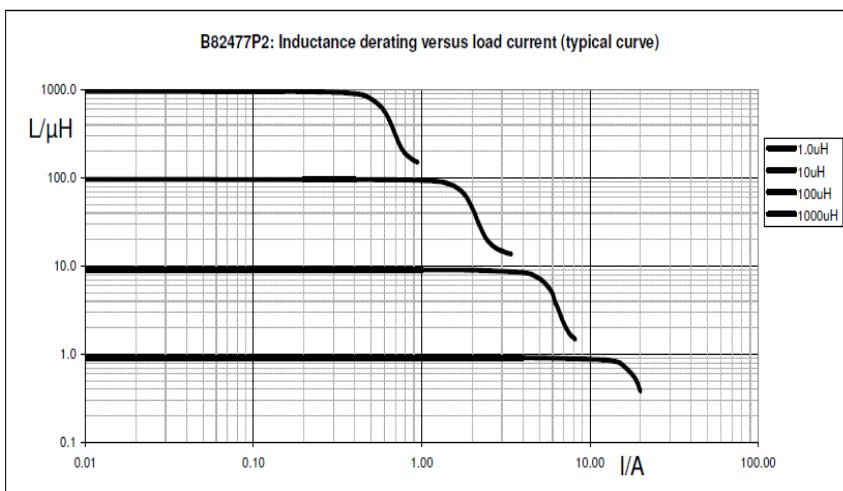
B82477P2

Preliminary data

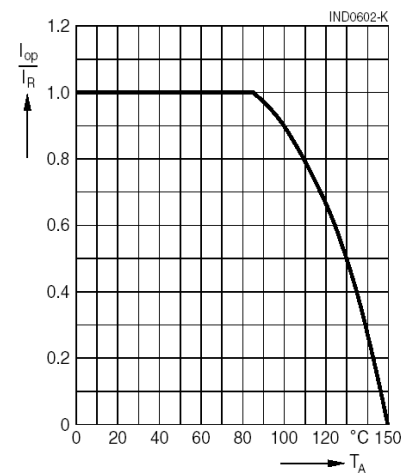
Impedance versus frequency (typical curve)



Inductance derating versus load current (typical curve)



Current derating I_{op}/I_R versus ambient temperature T_A (rated temperature $T_R = +85^\circ\text{C}$)



Preliminary data**Cautions and warnings**

- Please note the recommendations in our Inductors data book (latest edition) and in the data sheets.
 - Particular attention should be paid to the derating curves given there.
 - The soldering conditions should also be observed. Temperatures quoted in relation to wave soldering refer to the pin, not the housing.

- If the components are to be washed varnished it is necessary to check whether the washing varnish agent that is used has a negative effect on the wire insulation, any plastics that are used, or on glued joints. In particular, it is possible for washing varnish agent residues to have a negative effect in the long-term on wire insulation
Washing processes may damage the product due to the possible static or cyclic mechanical loads (e.g. ultrasonic cleaning). They may cause cracks to develop on the product and its parts, which might lead to reduced reliability or lifetime.

- The following points must be observed if the components are potted in customer applications:
 - Many potting materials shrink as they harden. They therefore exert a pressure on the plastic housing or core. This pressure can have a deleterious effect on electrical properties, and in extreme cases can damage the core or plastic housing mechanically.
 - It is necessary to check whether the potting material used attacks or destroys the wire insulation, plastics or glue.
 - The effect of the potting material can change the high-frequency behaviour of the components.

- Ferrites are sensitive to direct impact. This can cause the core material to flake, or lead to breakage of the core.

- Even for customer-specific products, conclusive validation of the component in the circuit can only be carried out by the customer.

Important notes

The following applies to all products named in this publication:

1. Some parts of this publication contain **statements about the suitability of our products for certain areas of application**. These statements are based on our knowledge of typical requirements that are often placed on our products in the areas of application concerned. We nevertheless expressly point out **that such statements cannot be regarded as binding statements about the suitability of our products for a particular customer application**. As a rule, EPCOS is either unfamiliar with individual customer applications or less familiar with them than the customers themselves. For these reasons, it is always ultimately incumbent on the customer to check and decide whether an EPCOS product with the properties described in the product specification is suitable for use in a particular customer application.
2. We also point out that **in individual cases, a malfunction of electronic components or failure before the end of their usual service life cannot be completely ruled out in the current state of the art, even if they are operated as specified**. In customer applications requiring a very high level of operational safety and especially in customer applications in which the malfunction or failure of an electronic component could endanger human life or health (e.g. in accident prevention or life-saving systems), it must therefore be ensured by means of suitable design of the customer application or other action taken by the customer (e.g. installation of protective circuitry or redundancy) that no injury or damage is sustained by third parties in the event of malfunction or failure of an electronic component.
3. **The warnings, cautions and product-specific notes must be observed.**
4. In order to satisfy certain technical requirements, **some of the products described in this publication may contain substances subject to restrictions in certain jurisdictions (e.g. because they are classed as hazardous)**. Useful information on this will be found in our Material Data Sheets on the Internet (www.epcos.com/material). Should you have any more detailed questions, please contact our sales offices.
5. We constantly strive to improve our products. Consequently, **the products described in this publication may change from time to time**. The same is true of the corresponding product specifications. Please check therefore to what extent product descriptions and specifications contained in this publication are still applicable before or when you place an order. We also **reserve the right to discontinue production and delivery of products**. Consequently, we cannot guarantee that all products named in this publication will always be available. The aforementioned does not apply in the case of individual agreements deviating from the foregoing for customer-specific products.
6. Unless otherwise agreed in individual contracts, **all orders are subject to the current version of the "General Terms of Delivery for Products and Services in the Electrical Industry" published by the German Electrical and Electronics Industry Association (ZVEI)**.
7. The trade names EPCOS, BAOKE, Alu-X, CeraDiode, CeraLink, CSMP, CSSP, CTVS, DeltaCap, DigiSiMic, DSSP, FilterCap, FormFit, MiniBlue, MiniCell, MKD, MKK, MLSC, MotorCap, PCC, PhaseCap, PhaseCube, PhaseMod, PhiCap, SIFERRIT, SIFI, SIKOREL, SilverCap, SIMDAD, SiMic, SIMID, SineFormer, SIOV, SIP5D, SIP5K, ThermoFuse, WindCap are **trademarks registered or pending** in Europe and in other countries. Further information will be found on the Internet at www.epcos.com/trademarks.

Mouser Electronics

Authorized Distributor

Click to View Pricing, Inventory, Delivery & Lifecycle Information:

[EPCOS / TDK:](#)

[B82477P2334M](#) [B82477P2105M](#) [B82477P2103M](#) [B82477P2154M](#) [B82477P2332M](#) [B82477P2683M](#)
[B82477P2473M](#) [B82477P2222M](#) [B82477P2682M](#) [B82477P2333M](#) [B82477P2684M](#) [B82477P2223M](#)
[B82477P2224M](#) [B82477P2152M](#) [B82477P2104M](#) [B82477P2153M](#) [B82477P2102M](#) [B82477P2472M](#)
[B82477P2105M000](#) [B82477P2334M000](#) [B82477P2332M000](#) [B82477P2473M000](#) [B82477P2472M000](#)
[B82477P2103M000](#) [B82477P2223M000](#) [B82477P2154M000](#) [B82477P2104M000](#) [B82477P2152M000](#)
[B82477P2684M000](#) [B82477P2333M000](#) [B82477P2153M000](#) [B82477P2682M000](#) [B82477P2102M000](#)
[B82477P2224M000](#) [B82477P2222M000](#) [B82477P2683M000](#)