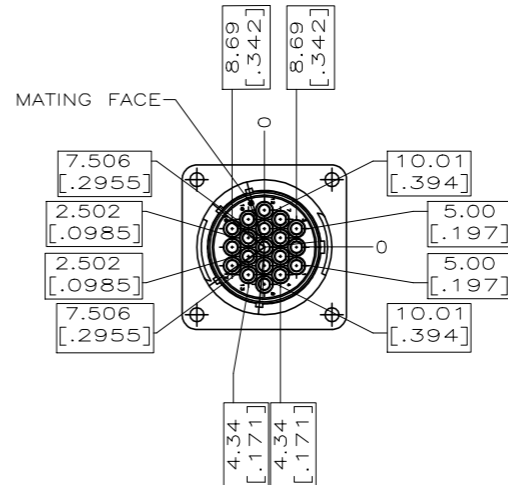
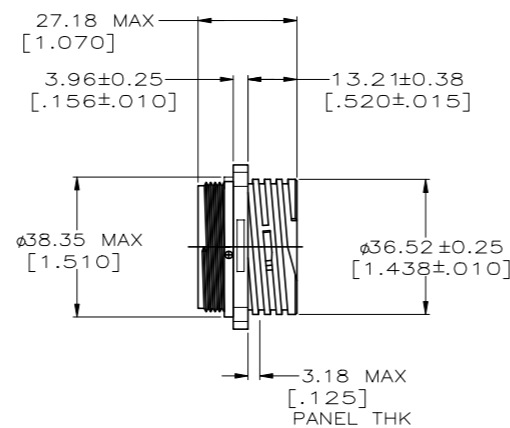
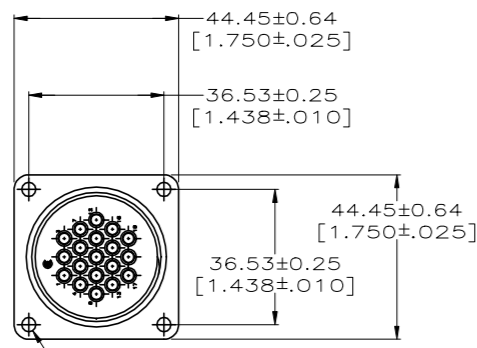


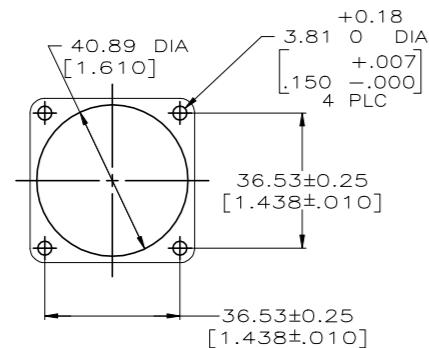
THIS DRAWING IS UNPUBLISHED. RELEASED FOR PUBLICATION
 © COPYRIGHT - By - ALL RIGHTS RESERVED.

REVISIONS				
#	LTR	DESCRIPTION	DATE	APPD
G1		REVISED PER ECO-11-004820	11MAR11	RK HMR
H		REVISED PER ECO-17-000037	10MAR2017	RS MZ
J		REVISED PER ECO-19-014836	23OCT2019	RS MZ



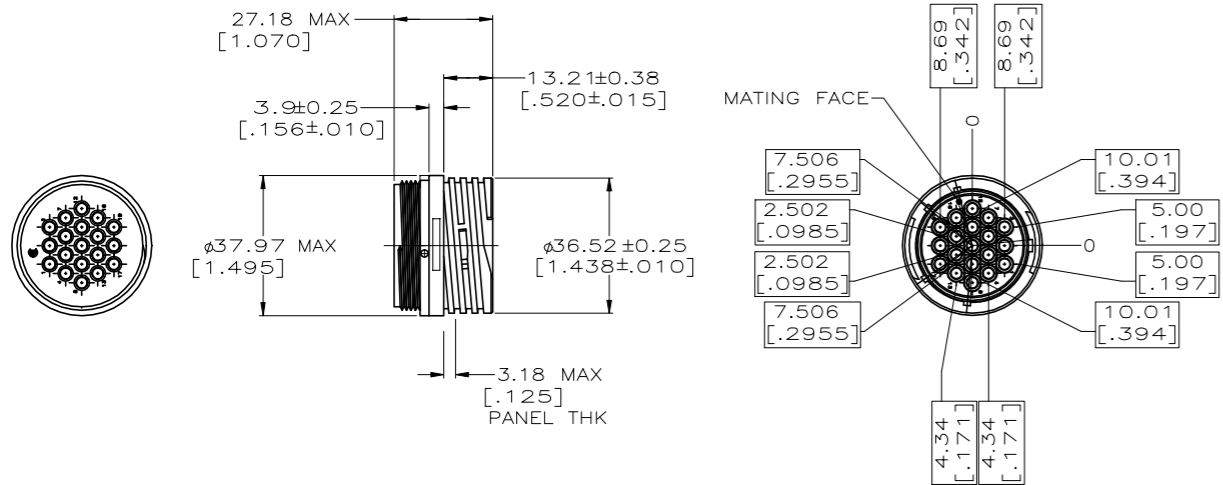
- NOTES:
- WILL ACCEPT (19) MULTIMATE SOCKET CONTACTS.
 - CONTACT CAVITIES IDENTIFIED BY CHARACTERS ON FRONT AND REAR FACES OF CONNECTOR.
 - 3.81[.150] MAX INSULATION DIAMETER.
 - 2.54[.100] MAX INSULATION DIAMETER.
 - MATERIALS:
 HOUSING: PA66, BLACK
 PERIPHERAL SEAL: NITRILE BUTADIENE RUBBER, BLACK
 THREADED INSERTS: BRASS

MOUNTING FEATURES
 4 PLACES
 SEE TABLE

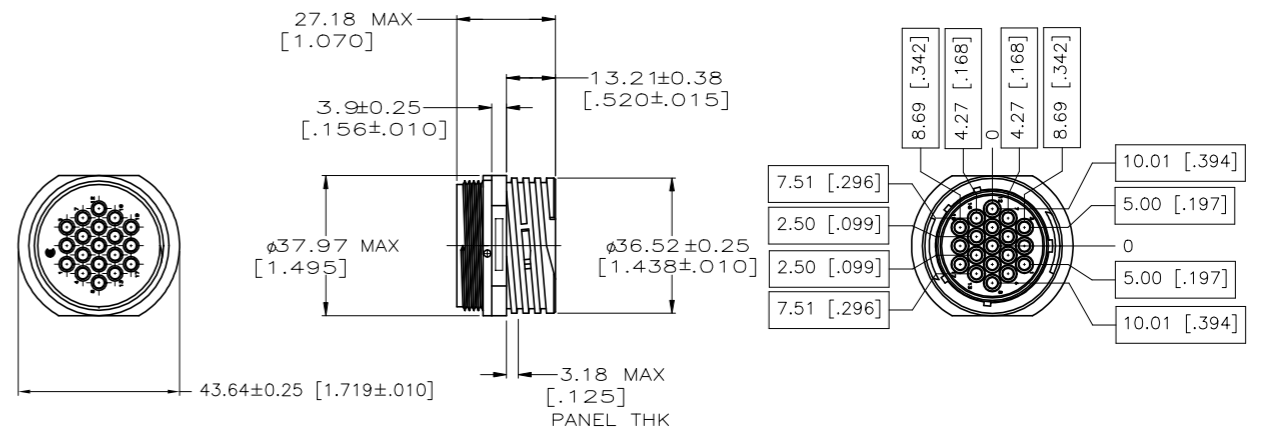


211773-1, 211773-2, 211773-6 & 211773-7

PANEL CUTOUT



211773-4



211773-5

	4-40 THREADED INSERTS	NO	211773-7
	4-40 THREADED INSERTS	YES	211773-6
⚠	OBSOLETE	NO	211773-5
⚠	OBSOLETE	NO	211773-4
⚠	⌀3.81 [.150] HOLES	NO	211773-2
⚠	⌀3.81 [.150] HOLES	NO	211773-1
	MOUNTING FEATURES	PERIPHERAL SEAL	PART NUMBER

THIS DRAWING IS A CONTROLLED DOCUMENT.

DIMENSIONS:	TOLERANCES UNLESS OTHERWISE SPECIFIED:	DATE	02JAN01
mm	0 PLC ± -	CHK	S.URICH
⌀	1 PLC ± -	APPD	M.CHACO
⊥	2 PLC ± 0.1X(.005)	NAME	M.CHACO
∠	3 PLC ± -	PRODUCT SPEC	
	4 PLC ± -	APPLICATION SPEC	
	ANGLES ± -	SIZE	A1
MATERIAL:	FINISH	WEIGHT	00779
5		SCALE	1:1

TE Connectivity
 RECEPTACLE HOUSING, REVERSE SEX,
 SERIES I, SHELL SIZE 23, CPC
 DRAWING NO: 211773
 SHEET 1 OF 1

Mouser Electronics

Authorized Distributor

Click to View Pricing, Inventory, Delivery & Lifecycle Information:

[TE Connectivity:](#)

[211773-1](#)