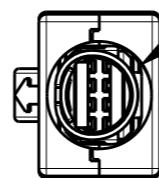
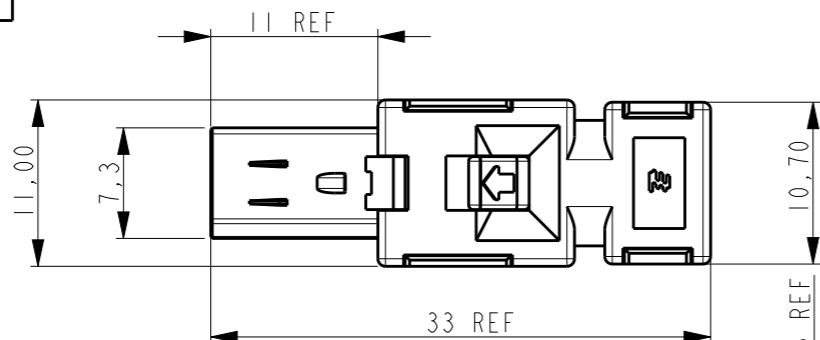
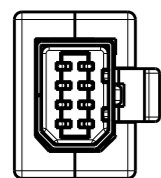
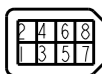


P	LTR	DESCRIPTION	DATE	DWN	APVD
D1		ECR-19-000401	10JAN2019	PP	PP
D2		ECR-19-007308	08MAY2019	SS	PP
D3		NOTE 4 ADDED (PROP 65 WARNING)	25AUG2020	SS	JDB
D4		ADD NEW PART VARIANT 3-2013595-1	02SEP2020	SS	JDB

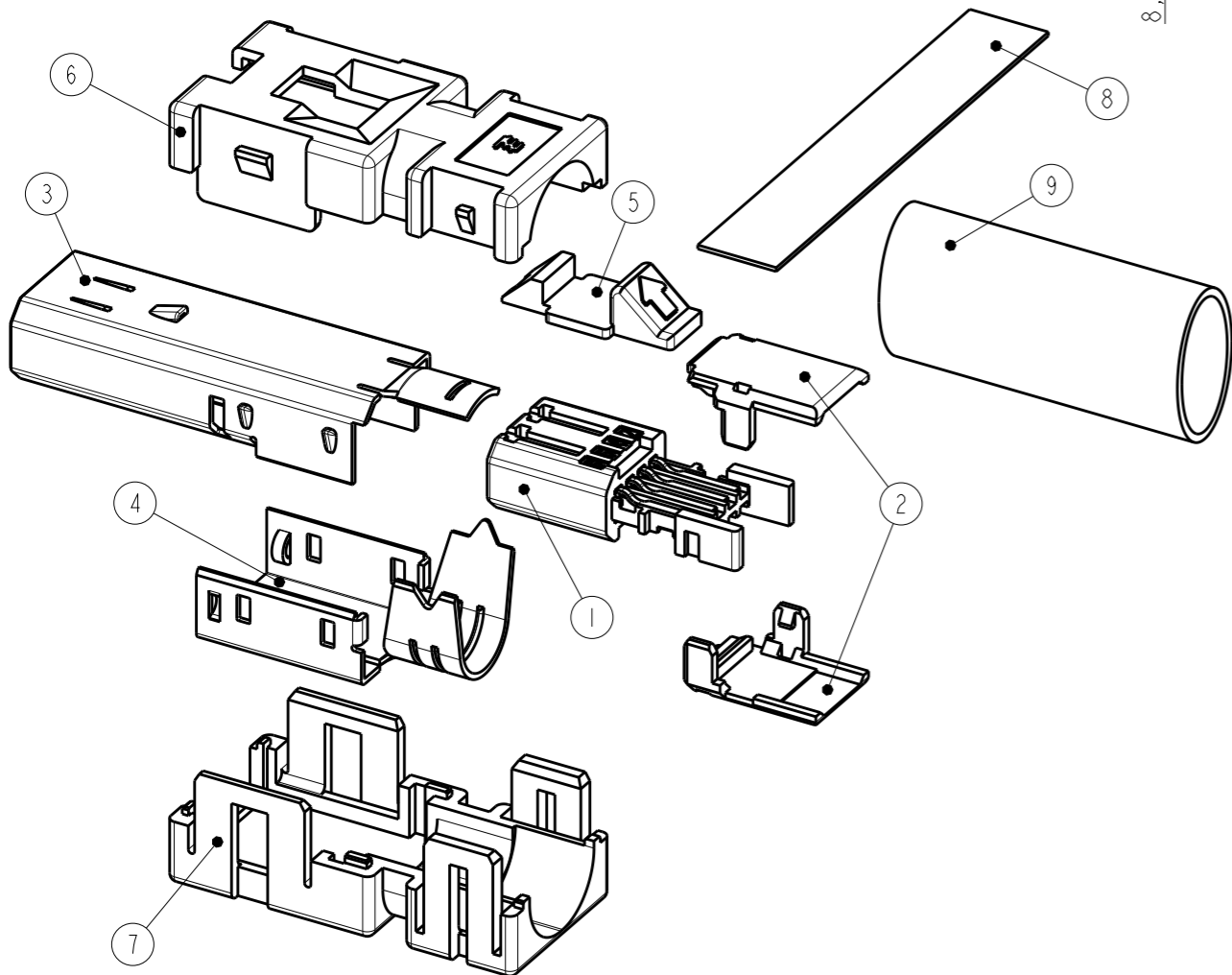
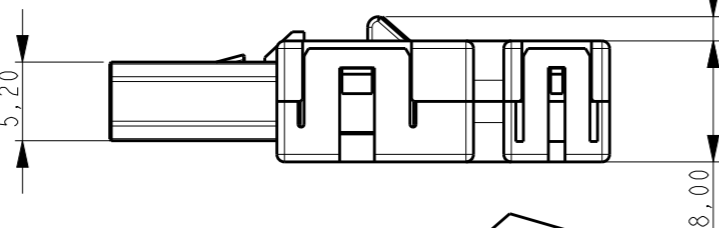


D-SHAPE TYPE I



CIRCUIT NO.

VIEW



4	4	4	4	4	REQ'D/ASSY	MATERIAL / FINISH	PART NAME	COLOR	ITEM NO.
PRELIMINARY						CROSS-LINKED POLYOLEFIN	HEAT SHRINKABLE TUBE		⑨
						ELECTROLYSIS COPPER FOIL, ACRYLIC ADHESIVE MATERIAL	COPPER FOIL TAPE		⑧
						POLYESTER OF GLASS FILLED THERMO PLASTIC(UL94V-0)	BOTTOM COVER	YELLOW	⑦
						POLYESTER OF GLASS FILLED THERMO PLASTIC(UL94V-0)	BOTTOM COVER	GREY	
						POLYESTER OF GLASS FILLED THERMO PLASTIC(UL94V-0)	BOTTOM COVER	BLACK	
						POLYESTER OF GLASS FILLED THERMO PLASTIC(UL94V-0)	TOP COVER	YELLOW	⑥
						POLYESTER OF GLASS FILLED THERMO PLASTIC(UL94V-0)	TOP COVER	GREY	
						POLYESTER OF GLASS FILLED THERMO PLASTIC(UL94V-0)	TOP COVER	BLACK	
						POLYESTER OF GLASS FILLED THERMO PLASTIC(UL94V-0)	LOCK EJECTOR	WHITE PRINT	⑤
						POLYESTER OF GLASS FILLED THERMO PLASTIC(UL94V-0)	LOCK EJECTOR	BLACK	
						STEEL/UNDER:Cu PLATING, TOP:Ni PLATING	BOTTOM SHELL		④
						STEEL/UNDER:Cu PLATING, TOP:Ni PLATING	TOP SHELL		③
					2	POLYESTER OF GLASS FILLED THERMO PLASTIC(UL94V-0)	PLUG HSG COVER		②
					1	CONTACT: COPPER ALLOY UNDER ALL SURFACE: Ni PLATING 1.27± ⁰ μmMIN TOP CONTACT AREA: Au PLATING: 0.76 μmMIN SOLDERING AREA: Au FLASH HSG: POLY-AMID OF GLASS FILLED THERMO PLASTIC(UL94V-0)	PLUG HSG SUB ASSY		①
					-	CONTACT: COPPER ALLOY UNDER ALL SURFACE: Ni PLATING 1.27± ⁰ μmMIN TOP CONTACT AREA: Au PLATING: 0.5 μmMIN SOLDERING AREA: Au FLASH HSG: POLY-AMID OF GLASS FILLED THERMO PLASTIC(UL94V-0)			
3-2013595-1	2013595-4	2013595-3	2013595-2	2013595-1					

1. APPLICABLE CABLE: RECOMMENDED AWG30~26 X 8C
MAX AWG22 X4C
OVERALL DIAMETER 6.7MAX.
2. DATE CODE IS DESCRIBED ON THE BUNDLED CUSTOMER DRAWING.
3. THE PRODUCT OF THIS DRAWING NO. IS PACKED INDIVIDUALLY IN PACKAGE OF EXCLUSIVE USE.

4 PROP 65 WARNING LABEL: SEE SHEET 2

THIS DRAWING IS A CONTROLLED DOCUMENT.

DWN	S. INOMATA	12NOV2007	 TE Connectivity	NAME INDUSTRIAL MINI I/O PLUG CONNECTOR KIT D-SHAPE TYPE I						
CHK	I. HASEGAWA	12NOV2007								
APVD	I. HASEGAWA	12NOV2007								
PRODUCT SPEC	108-78405									
APPLICATION SPEC	114-5431		SIZE	A3	CAGE CODE	00779	DRAWING NO	C-2013595	RESTRICTED TO	
MATERIAL	SEE TABLE	FINISH	WEIGHT	-	SCALE	5:2	SHEET	1 OF 2	REV	D4

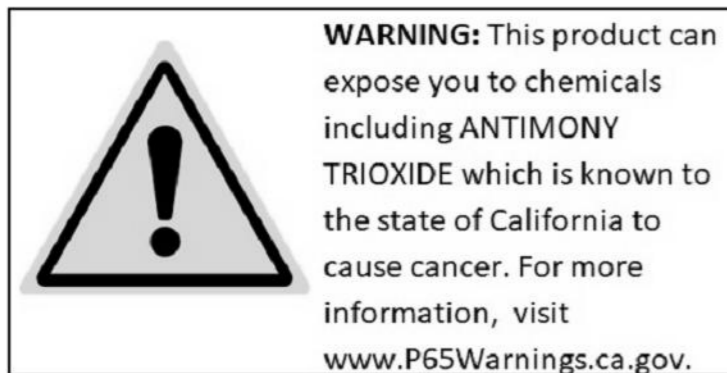
CUSTOMER DRAWING

DIMENSIONS:	TOLERANCES UNLESS OTHERWISE SPECIFIED:
mm	±0.3
Ø PLC	±
1 PLC	±0.5
2 PLC	±0.13
3 PLC	±0.013
4 PLC	±0.001
ANGLES	±


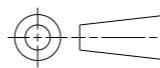
NOTES: CONTINUATION FROM SHEET 1:

4 PROP 65 WARNING LABEL:

- THE WARNING LABEL ON THE PRODUCT OR LOWEST LEVEL PACKAGING.
- CHEMICAL NAME: ANTIMONY TRIOXIDE



REVISIONS					
P	LTR	DESCRIPTION	DATE	DWN	APVD
	-	SEE SHEET 1	-	-	-

THIS DRAWING IS A CONTROLLED DOCUMENT.		DWN S. INOMATA 12NOV2007	 TE Connectivity		
DIMENSIONS: mm		CHK I. HASEGAWA 12NOV2007			
		APVD I. HASEGAWA 12NOV2007	NAME INDUSTRIAL MINI I/O PLUG CONNECTOR KIT D-SHAPE TYPE I		
TOLERANCES UNLESS OTHERWISE SPECIFIED: ±0.3		PRODUCT SPEC 108-78405	SIZE A3	CAGE CODE 00779	DRAWING NO C-2013595
0-PLC ± 1-PLC ±0,5 2-PLC ±0,13 3-PLC ±0,013 4-PLC ±0,0001 ANGLES ±		APPLICATION SPEC 114-5431	RESTRICTED TO		
MATERIAL SEE TABLE		FINISH SEE TABLE	WEIGHT -	SCALE 5:2 SHEET 2 OF 2 REV D4	
		CUSTOMER DRAWING			

Mouser Electronics

Authorized Distributor

Click to View Pricing, Inventory, Delivery & Lifecycle Information:

[TE Connectivity:](#)

[2013595-3](#)