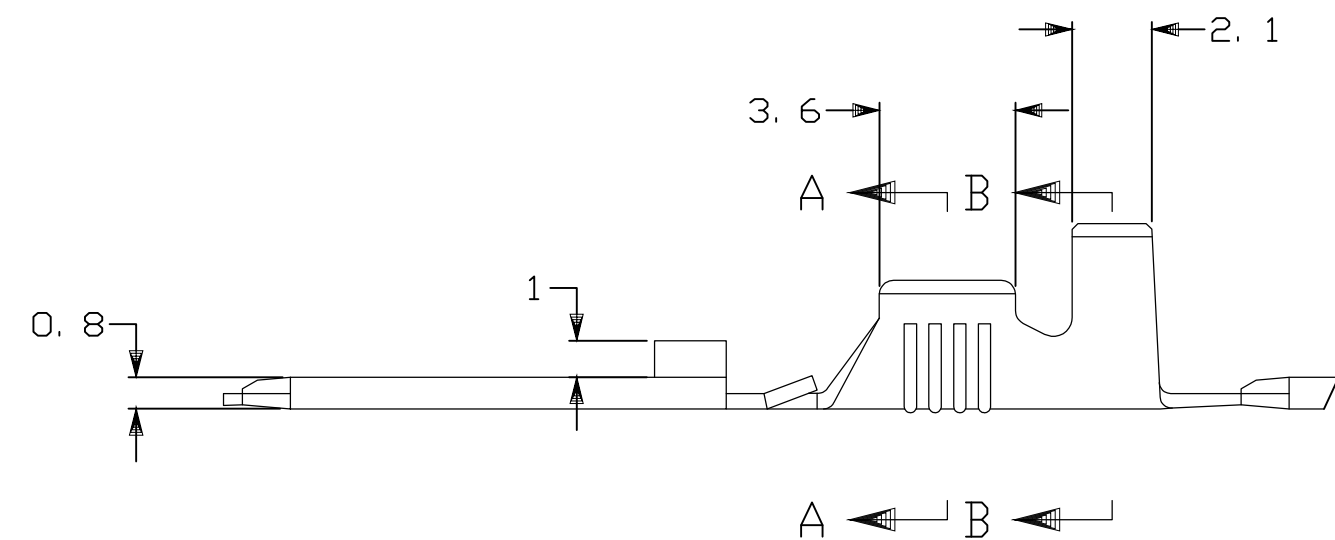
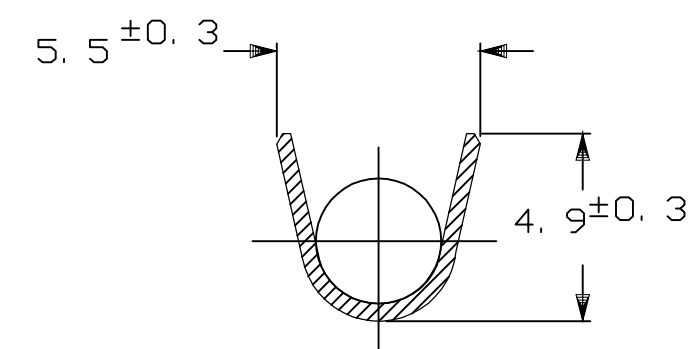
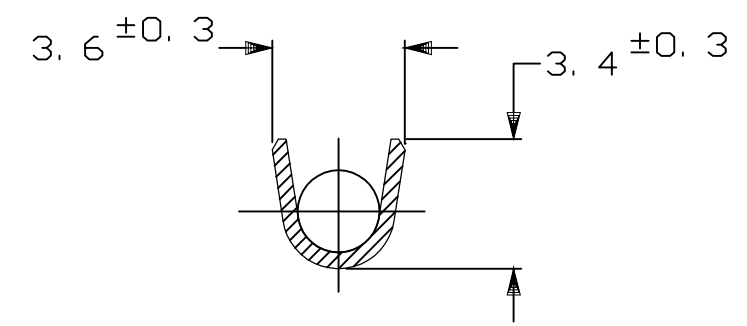
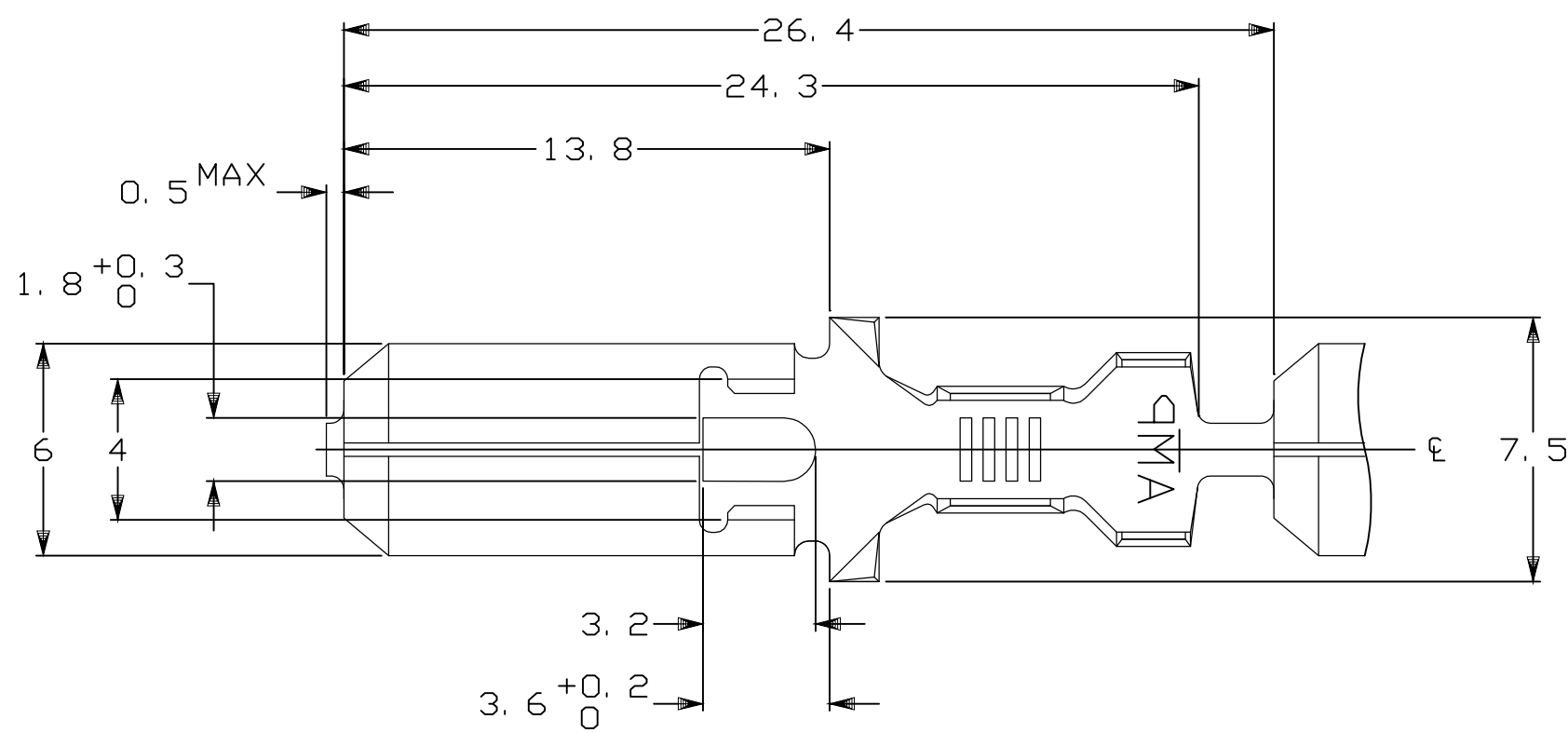


THIS DRAWING IS UNPUBLISHED. RELEASED FOR PUBLICATION
 © COPYRIGHT - By - ALL RIGHTS RESERVED.

LOC	DIST	REVISIONS					
		P	LTR	DESCRIPTION	DATE	DWN	APVD
J	-		C4	REVISED	02DEC2013	K.S	D.Z
			C5	REVISED PER ECR-15-013317	21SEP2015	L.P	T.D



- △ REVERSE REEL OF 170340-3
- △ 170340-3、逆巻リール
- △ SEPARATE PAPER TYPE

△	—	PRE-TIN BRASS t0.41	179462-3	2-170340-3
△	—	PRE-TIN BRASS t0.41	—	1-170340-3
	—	PRE-TIN BRASS t0.41	179462-3	170340-3
	—	BRASS t0.41	—	170340-1
	FINISH	MATERIAL	LOOSE PIECE NUMBER	PART NUMBER

THIS DRAWING IS A CONTROLLED DOCUMENT.

DIMENSIONS: 単位: 耗 mm	TOLERANCES UNLESS OTHERWISE SPECIFIED: 一般公差
	0 PLC ± -
	1 PLC 10 ± - ±0.2
	2 PLC 30 ± - ±0.25
	3 PLC ANGLE: ±3°
	4 PLC ± -
	ANGLES ± -
MATERIAL 材料	FINISH 仕上
SEE TABLE	SEE TABLE

DWN	A.YAMAGUCHI	19AUG98	WIRE RANGE 総合電線断面積	<0.5~2.27mm SQ> #20~#14	INSULATION DIA 被覆外径	2.1~3.4 DIA
CHK	K.BETSUI	26AUG98	TE Connectivity 250 SERIES TAB WITHOUT LATCH 250シリーズ ラッチ無しタブ			
APVD	K.BETSUI	26AUG98				
PRODUCT SPEC	108-5147		NAME	250 SERIES TAB WITHOUT LATCH		
APPLICATION SPEC	114-5052		SIZE	CAGE CODE	DRAWING NO	RESTRICTED TO
WEIGHT	0.76g		A3	00779	C=170340	—
CUSTOMER DRAWING			SCALE	5:1	SHEET	1 OF 1
					REV	C5

Mouser Electronics

Authorized Distributor

Click to View Pricing, Inventory, Delivery & Lifecycle Information:

[TE Connectivity:](#)

[170340-3](#)