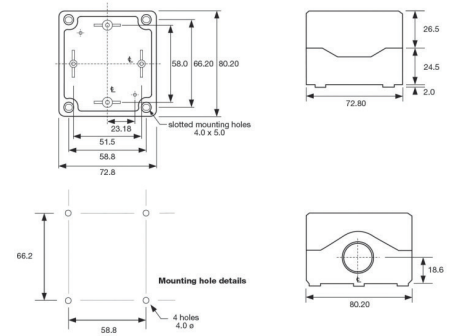


BEA01S - ABS



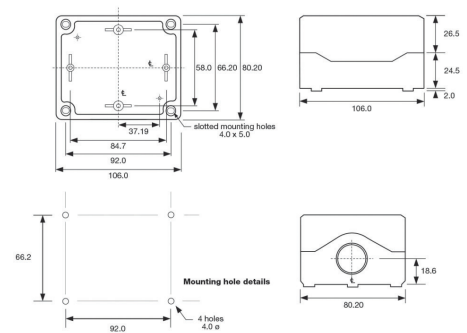
- Dimensions: 80 x 72 x 53mm
- Slotted mounting holes, 66.2 x 58.8mm
- 2 x M20 threaded knock-outs suitable for use with M20 glands
- Option for single pre-drilled 22mm Ø hole in lid
- PCB mounting posts suitable for M3 self tapping screws
- Grey or black base
- Transparent, black, grey or yellow lid



BEA02S - ABS



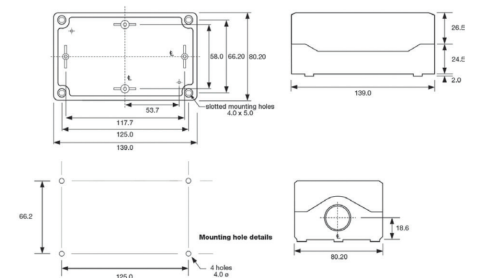
- Dimensions: 80 x 106 x 53mm
- Slotted mounting holes, 66.2 x 92.0mm
- 2 x M20 threaded knock-outs suitable for use with M20 glands
- Option for two pre-drilled 22mm Ø holes in lid
- PCB mounting posts suitable for M3 self tapping screws
- Grey or black base
- Transparent, black, grey or yellow lid



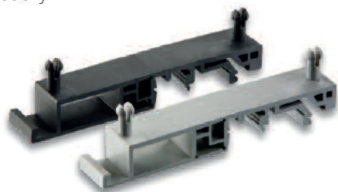
BEA03S - ABS



- Dimensions: 80 x 139 x 53mm
- Slotted mounting holes, 66.2 x 125mm
- 2 x M20 threaded knock-outs suitable for use with M20 glands
- Option for three pre-drilled 22mm Ø holes in lid
- PCB mounting posts suitable for M3 self tapping screws
- Grey or black base
- Transparent, black, grey or yellow lid



Combifoot rail mounting
accessory



BE123456 BE123457

- Easy snap fixing to enclosure BEA01S, BEA02S & BEA03S
- Suitable for TS32 & TS35 rails
- Available in black or grey
- Part numbers:
Grey - BE123456
Black - BE123457

Wall mounting accessory



BE123458 BE123459

- Easy snap fixing to enclosure BEA01S, BEA02S & BEA03S
- For easy access wall mounting
- Available in black or grey
- Part numbers:
Grey - BE123458
Black - BE123459

Cable glands



BE123460 BE123461

- For use in pre-moulded knock-outs
- M20 thread
- Cable range 6-12mm
Supplied with gasket
- Available in black or grey
- Part numbers:
Grey - BE123460
Black - BE123461

Specifications

	BEAxxx
Sealing:	IP67
Material:	ABS
Flammability rating:	UL94HB
Gasket:	TPE
Temperature rating:	-20°C to +85°C

Features

- IP67 rated, dust and waterproof for short-term submersion to 1m depth
- ABS - UL94HB rated
- Threaded M20 knock-outs, premoulded areas that can be pushed out for use with M20 size cable glands
- Plastic lid fixing screws, corrosion resistant
- Captive lid screws, standard on all lids
- Additional pre-drilled 22mm holes in the lid may be specified, suitable for standard switches and indicators
- PCB mounting, mounting posts and slots for PCB as standard
- Self tapping screw fixing, standard feature
- Transparent top cover, available in clear and smoke grey
- Accessories:
 - Wall mounting brackets
 - Combifoot - TS32 & TS35 din rail mounting
 - M20 cable glands for use in knock-outs
- Registered design

BE	/	X	XXX	/	X	/	X	X
Body Styles		Materials	Size		Base Colour		Lid Colour	Pre-drilled Lid Holes
		A = ABS - UL94HB	01S = 80 x 72 x 53 02S = 80 x 106 x 53 03S = 80 x 139 x 53		B = black G = grey		B = black G = grey Y = yellow T = transparent	0 = no holes 1 = with hole(s) (1 x 22mmØ Size 1, 2 x 22mmØ Size 2 & 3 x 22mmØ Size 3 Enclosures)

Examples:

BEA02SGT0 = Size 2, ABS material, grey base, transparent lid with no holes

Mouser Electronics

Authorized Distributor

Click to View Pricing, Inventory, Delivery & Lifecycle Information:

Bulgin:

[BE123456](#) [BE123457](#) [BE123458](#) [BE123459](#) [BE123460](#) [BE123461](#) [BEA01SBB0](#) [BEA01SBG1](#) [BEA01SBT0](#)
[BEA01SBY1](#) [BEA01SGG0](#) [BEA01SGT0](#) [BEA02SBB0](#) [BEA02SBG1](#) [BEA02SBT0](#) [BEA02SBY1](#) [BEA02SGG0](#)
[BEA02SGT0](#) [BEA03SBB0](#) [BEA03SBG1](#) [BEA03SBT0](#) [BEA03SBY1](#) [BEA03SGG0](#) [BEA03SGT0](#) [BEP01SBB0](#)
[BEP01SBG1](#) [BEP01SBT0](#) [BEP01SGG0](#) [BEP01SGT0](#) [BEP02SBB0](#) [BEP02SBG1](#) [BEP02SBT0](#) [BEP02SGG0](#)
[BEP02SGT0](#) [BEP03SBB0](#) [BEP03SBG1](#) [BEP03SBT0](#) [BEP03SGG0](#) [BEP03SGT0](#)