



Pushing Performance

# HARTING Product Change Notification

PCN

Business Unit: Electric

PCN/16/016/C+N

Product range: Han / Han-Modular

Date: 2016-06-23

Author: Alexander Abke

Title: Design change Han-Modular® module adapter - External

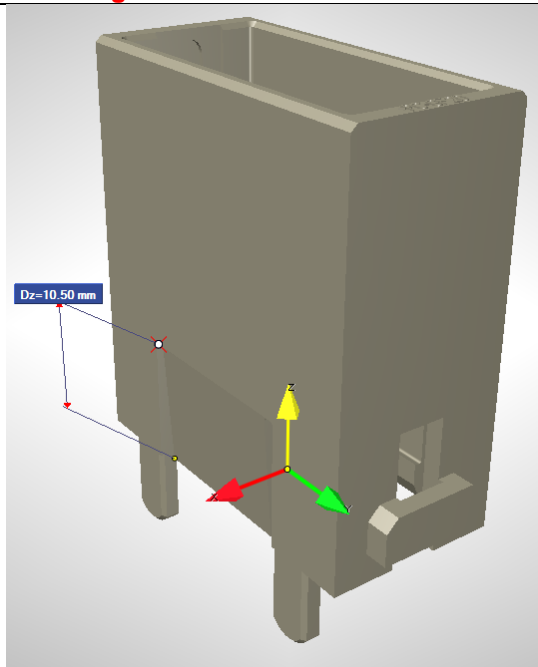
## Details of Product Changes

### 1. Concerned part number (see also attachment):

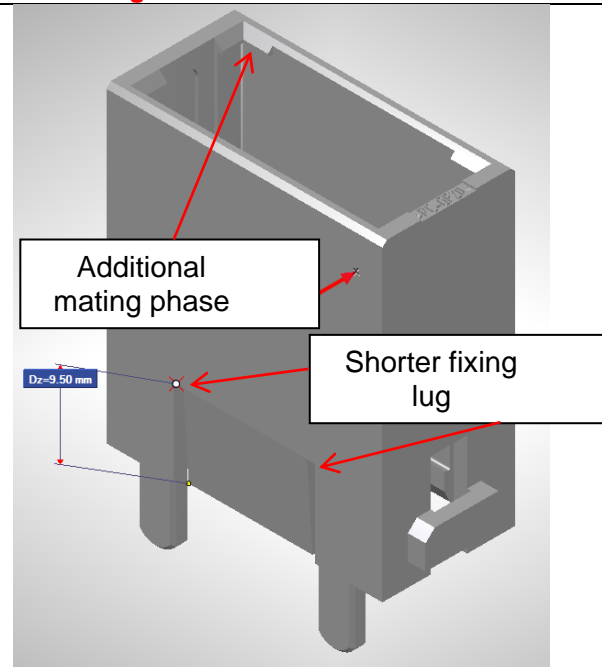
09 14 001 3011 Han® module adapter, male  
09 14 001 3111 Han® module adapter, female

### 2. Description of changes / news:

09 14 001 3011 Han® module adapter, male  
**Old design**



09 14 001 3011 Han® module adapter, male  
**New design**



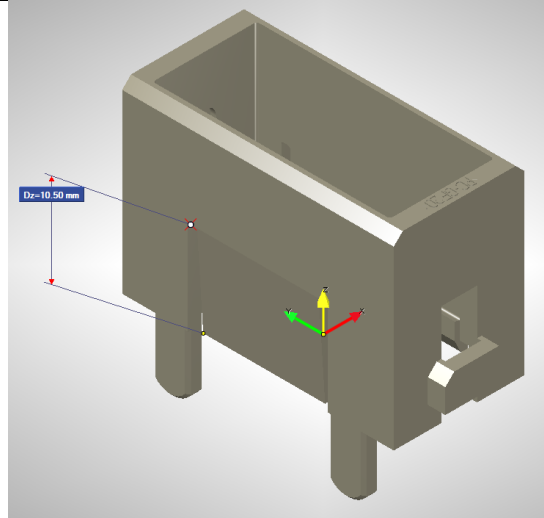


Pushing Performance

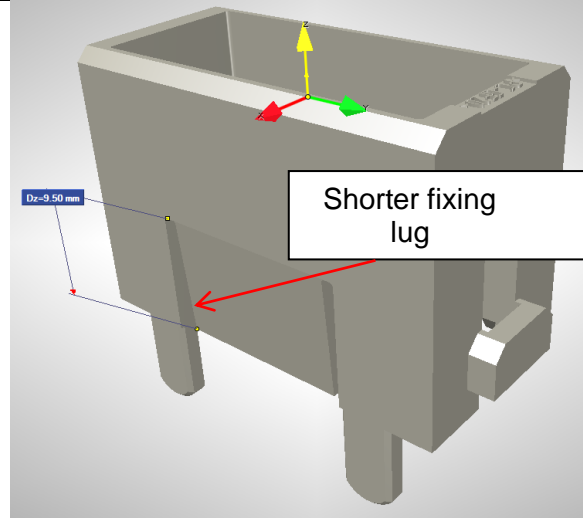
# HARTING Product Change Notification

PCN

09 14 001 3111 Han® module adapter, female  
**Old design**



09 14 001 3111 Han® module adapter, female  
**New design**



**Please note:** Color / appearance of the adapter will not be affected by this design change, different display in the pictures above results from variably CAD data.

### 3. Impact on product specification:

None

### 4. Scheduled date of implementation:

Calendar week 49/2016

### 5. Identification of change:

New revision level:

09 14 001 3011 – revision level changed from 01 to 02

09 14 001 3111 – revision level changed from 01 to 02