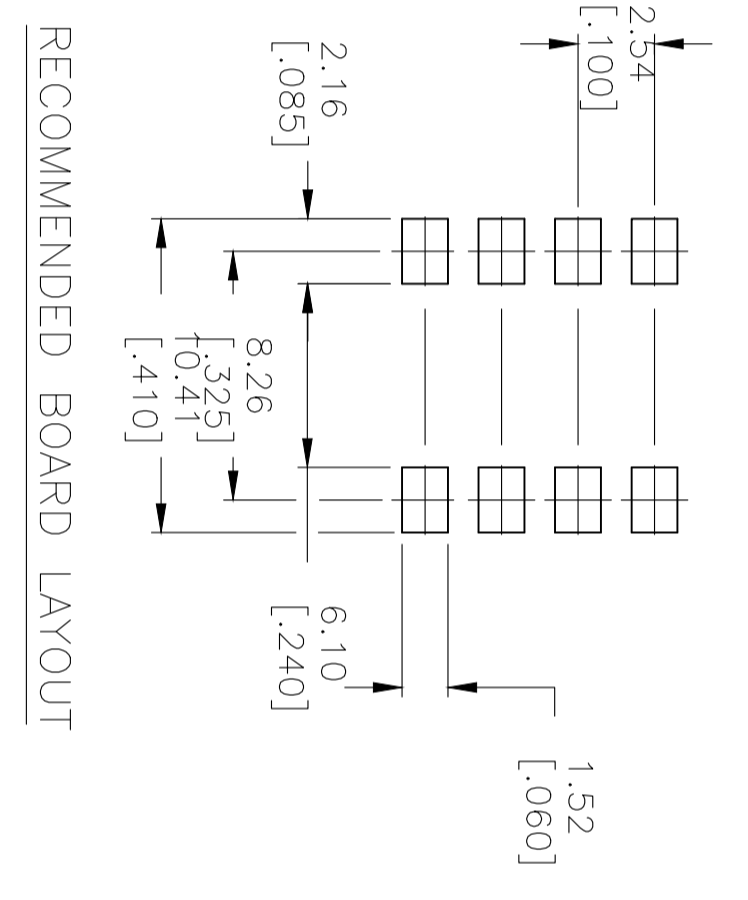
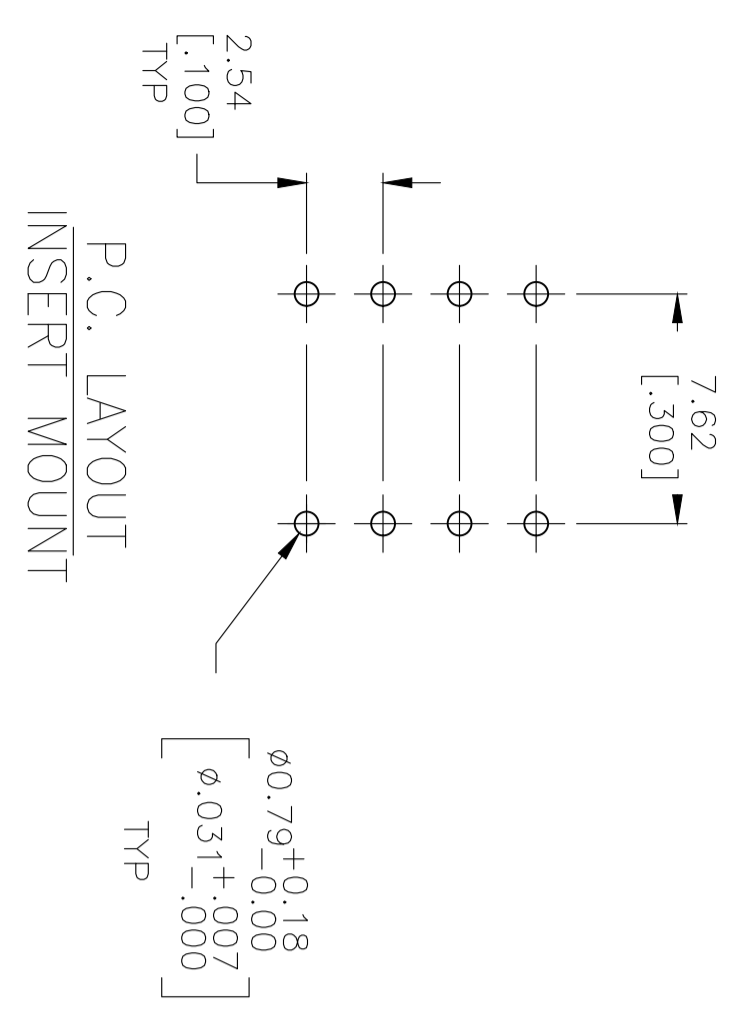


RATED POWER	RESISTANCE	TOLERANCE	MAX VOLTAGE
125mW	3.3KΩ (RED)	±5% @ 85°C	24V
	10KΩ (GREEN)		



THIS DRAWING IS A CONTROLLED DOCUMENT.		DIMENSIONS: mm [INCHES]		TOLERANCES UNLESS OTHERWISE SPECIFIED:	
0 PLC	±	1 PLC	±	2 PLC	± 0.30[0.12]
3 PLC	±	4 PLC	±	ANGLES	±
MATERIAL		FINISH		WEIGHT	
				CUSTOMER DRAWING	

POLES	T&B P/N	PART NUMBER
8	ARF083.3K04	1-1825428-2
8	ARF0810K104	1-1825428-1
4	ARF043.3KT04	1-1825428-0
4	ARF043.3K04	1-1825428-9
2	ARF023.3K04	1-1825428-8
8	ARE0810K504	4-1825428-7
8	ARE0810K04	1-1825428-6
4	ARE043.3K04	1-1825428-5
8	ARF0810K04	1825428-4
4	ARF0410K04	1-1825428-3
10	ARE103.3K04	1-1825428-2
8	ARE083.3K04	1-1825428-1

- Notes:
- ALL MATERIALS AND FINISHES SHALL COMPLY WITH EU DIRECTIVE 2002/95/EC OF 27JAN2003 (ROHS)
 - SWITCHES TO HAVE WHITE ACTUATORS AND MARKINGS
 - SWITCHES SUPPLIED IN THE "OFF" POSITION AND PACKAGED IN CLEAR TUBES TO ACCOMMODATE AUTO-INSERTION
 - SURFACE MOUNT
 - OBSOLETE PARTS: OBSOLETE CIS STREAMLINING PER D.RENAUD/D.SINISI

P	LT#	DESCRIPTION	DATE	DMN	APPD
	C1	REVISED PER ECO-09-024927	07NOV09	KK	AEG
	C2	REVISED PER ECO-16-018654	15MAY2017	RK	PO
	C3	REVISED PER ECO-17-007090	30JUN2017	RK	PO

Specifications:

Material: Base, PPS UL94V-0, BLACK; Cover, PPS UL94V-0, BLACK; Actuator, PA6T UL94V-0, WHITE; Fixed Contact/Terminal, Cu Alloy, Plate-Gold/Nickel; Moving Contact, Cu Alloy, Plate-Gold/Nickel

Electrical: Contact rating switching, 4VA @ 20V DC; Initial contact resistance, 50 milliohms max.; Insulation Resistance, 100 Megohms min. @ 100 VDC; Dielectric strength, 500 VAC RMS @ Sea level; Life, 5,000 cycles

Mechanical: Operating force, Less than 800 grams; Travel, .051

Environmental: Operating Temperature, -30 to +85 degrees C; Storage Temperature, -45 to +100 degrees C; Cleaning, Aqueous or solvent; Solder heat resistance, 265 degrees C +/- 3 degrees C within 8 seconds +/- 2 seconds; Solderability per JIS-C-0050 & JIS-C-00053