

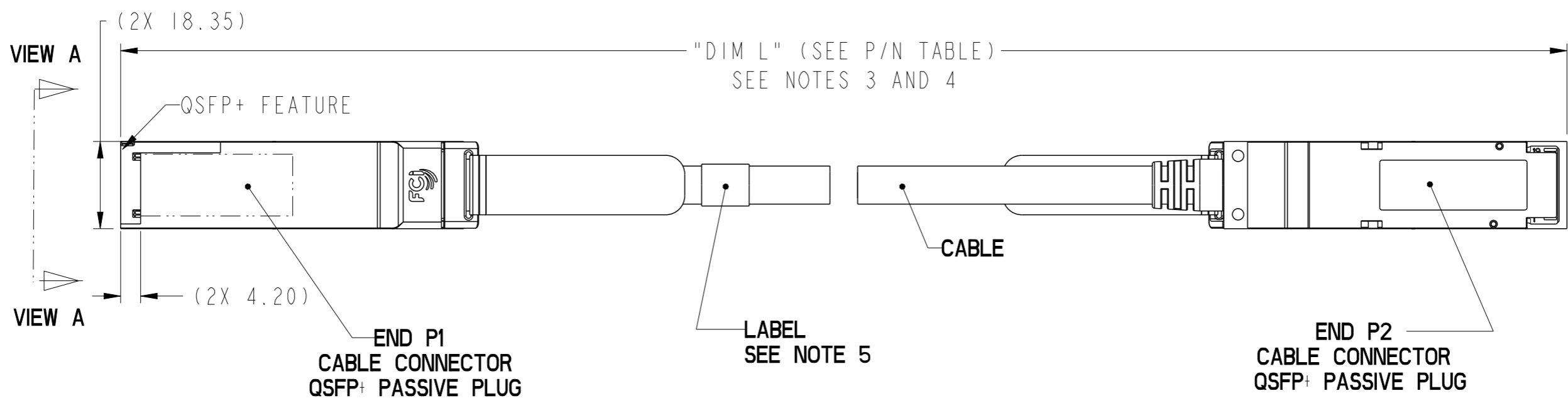
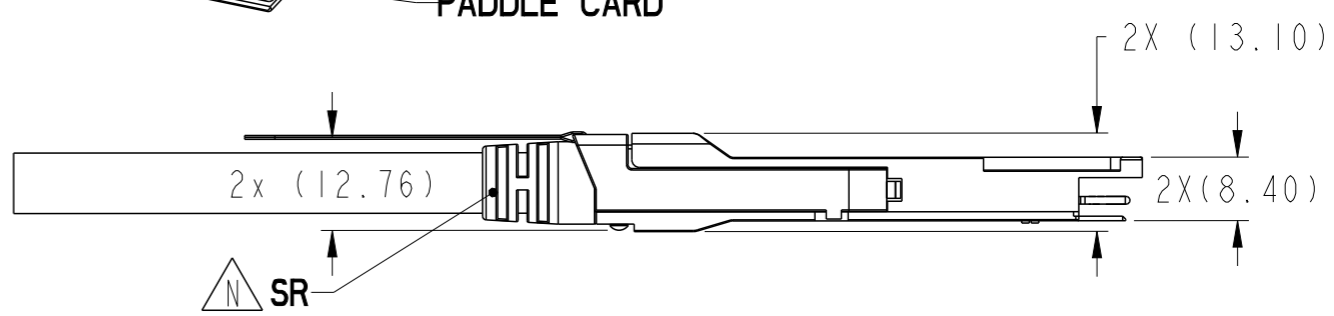
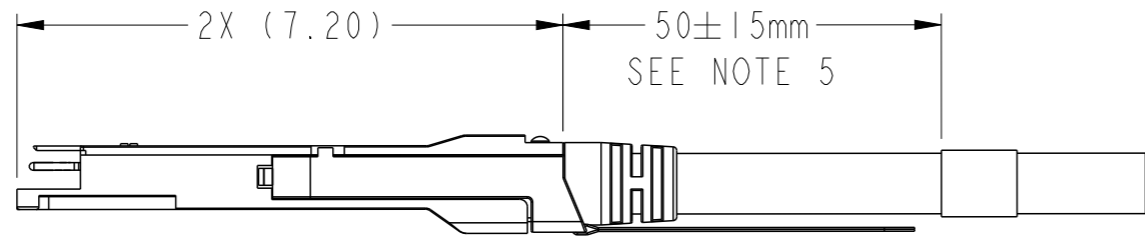
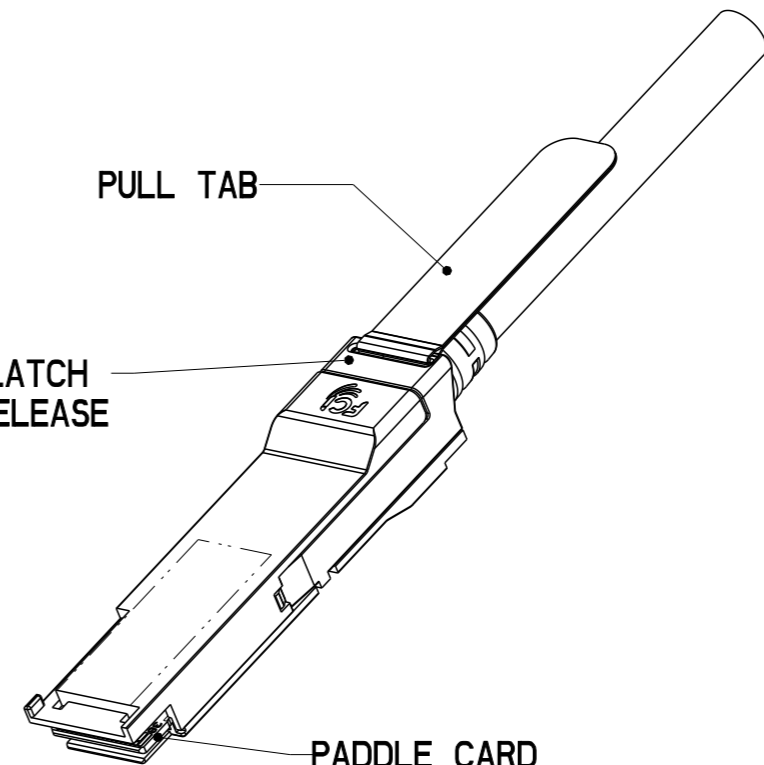
PRODUCT NUMBER	DESCRIPTION	NOTES
10093084-20XXLF	NON-HF	SEE SHT. 4
10093084-20XXHFLF	HALOGEN FREE (HF)	SEE SHT. 5
10093084-30XXLF	NON-HF	SEE SHT. 4
10093084-30XXHFLF	HALOGEN FREE (HF)	SEE SHT. 5



PULL TAB

LATCH RELEASE

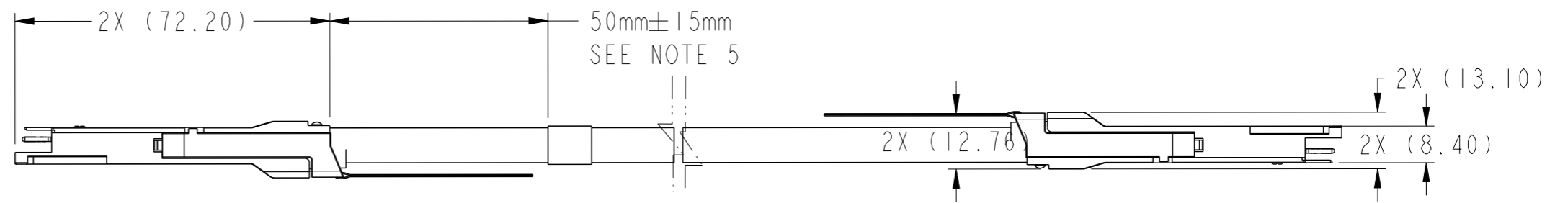
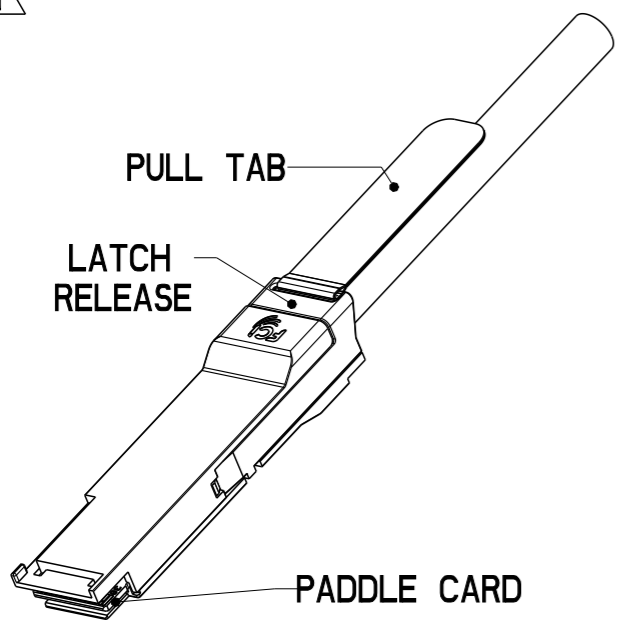
PADDLE CARD



Copyright FCI.

spec ref		dr	Deborah Ingram	2009/07/20	projection	mm	size	A3	scale	3:10
tolerance std		eng	Shawn Xu	2015/10/25			ecn no	ELX-N-22246-1	rel level	Released
TOLERANCES UNLESS OTHERWISE SPECIFIED		chr	-	-						
surface	✓	linear	0.X	±0.3		FINAL ASSEMBLY QSFP+ (PASSIVE) ASSEMBLY	dwg no	10093084	rev	N
			0.XX	±0.10						
			0.XXX	±0.050						
		angular	0°	±2°	www.fci.com	cat. no.	-	Product - Customer Drw	sheet 1 of 6	

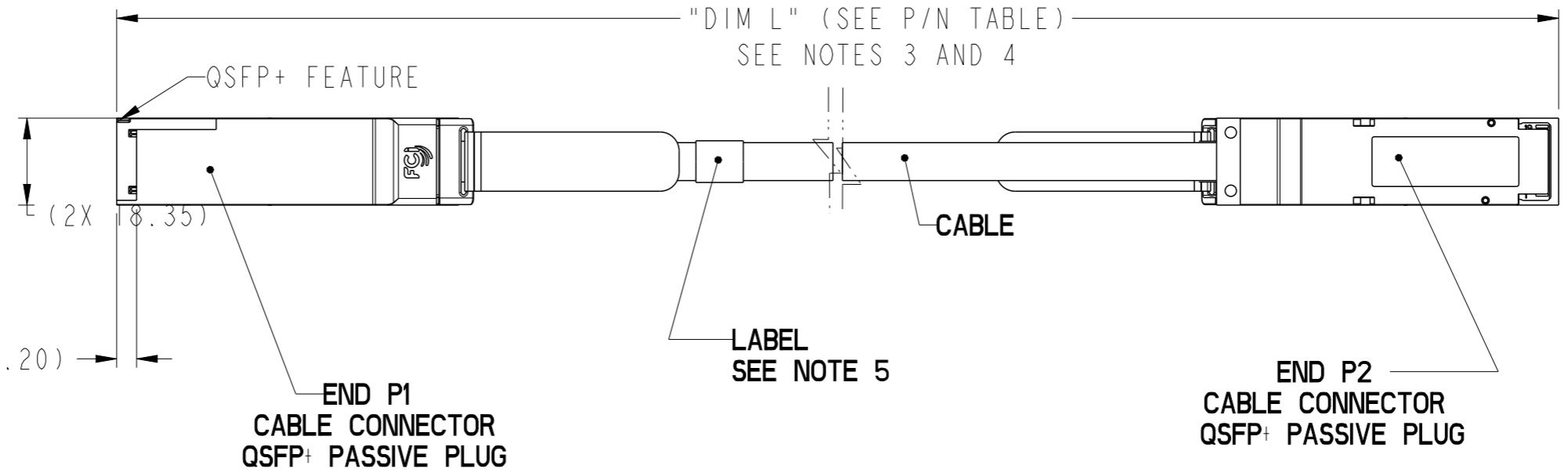
PRODUCT NUMBER	DESCRIPTION	NOTES
10093084-10XXLF	NON-HF	SEE SHT. 4
10093084-10XXHFLF	HALOGEN FREE (HF)	SEE SHT. 5
10093084-40XXLF	NON-HF	SEE SHT. 4
10093084-40XXHFLF	HALOGEN FREE (HF)	SEE SHT. 5
10093084-50XXLF	NON-HF	SEE SHT. 4
10093084-50XXHFLF	HALOGEN FREE (HF)	SEE SHT. 5



VIEW A

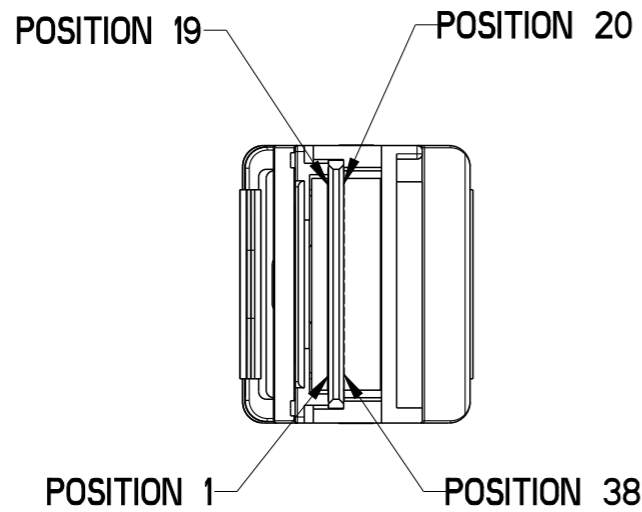


VIEW A



Copyright FCI.

spec ref	dr	Deborah Ingram	2009/07/20	projection	mm	size	A3	scale	1:2
tolerance std	eng	Shawn Xu	2015/10/25			ecn no	ELX-N-22246-1	rel level	Released
TOLERANCES UNLESS OTHERWISE SPECIFIED									
surface	linear	0.X	±0.3		FINAL ASSEMBLY QSFP+ (PASSIVE) ASSEMBLY	dwg no	10093084	rev	N
		0.XX	±0.10						
		0.XXX	±0.050						
	angular	0°	±2°	www.fci.com	cat. no.	-	Product - Customer Drw	sheet 2 of 6	



LOW SPEED SIGNALS P1 & P2

POSITION	SYMBOL
8	ModSeLL
9	ResetL
10	VccRx
11	SCL
12	SDA
27	ModPrsL
28	IntL
29	VccTx
30	VccI
31	LPMode

WIRING LIST (SEE NOTE 6)

END P1			END P2	
POSITION	SYMBOL		POSITION	SYMBOL
1	GND (TX)	---▷	20	GND (RX)
2	TX2n	---▷	21	RX2n
3	TX2p	---▷	22	RX2p
4	GND (TX)	---▷	23	GND (RX)
5	TX4n	---▷	24	RX4n
6	TX4p	---▷	25	RX4p
7	GND (TX)	---▷	26	GND (RX)
13	GND (RX)	◁---	32	GND (TX)
14	RX3p	◁---	33	TX3p
15	RX3n	◁---	34	TX3n
16	GND (RX)	◁---	35	GND (TX)
17	RX1p	◁---	36	TX1p
18	RX1n	◁---	37	TX1n
19	GND (RX)	◁---	38	GND (TX)
20	GND (RX)	◁---	1	GND (TX)
21	RX2n	◁---	2	TX2n
22	RX2p	◁---	3	TX2p
23	GND (RX)	◁---	4	GND (TX)
24	RX4n	◁---	5	TX4n
25	RX4p	◁---	6	TX4p
26	GND (RX)	◁---	7	GND (TX)
32	GND (TX)	---▷	13	GND (RX)
33	TX3p	---▷	14	RX3p
34	TX3n	---▷	15	RX3p
35	GND (TX)	---▷	16	GND (RX)
36	TX1p	---▷	17	RX1p
37	TX1n	---▷	18	RX1n
38	GND (TX)	---▷	19	GND (RX)

SHIELD-----▷ SHIELD



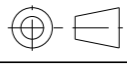
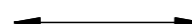

Copyright FCI.

spec ref	dr	Deborah Ingram	2009/07/20	projection	mm	size	A3	scale	3:10
tolerance std	eng	Shawn Xu	2015/10/25			ecn no	ELX-N-22246-1	rel level	Released
TOLERANCES UNLESS OTHERWISE SPECIFIED									
surface	linear	0.X	±0.3		title FINAL ASSEMBLY QSFP+ (PASSIVE) ASSEMBLY	dwg no 10093084	rev N	www.fci.com cat. no. - Product - Customer Drw sheet 3 of 6	
		0.XX	±0.10						
		0.XXX	±0.050						
	angular	0°	±2°						

PART NUMBER	"DIM L" LENGTH (Meters)	AWG	NOTES
10093084-1005LF	0.5	32	NOTE 12
10093084-1010LF	1.0	32	
10093084-2005LF	0.5	30	NOTE 12
10093084-200ALF	0.75	30	
10093084-2010LF	1.0	30	
10093084-2015LF	1.5	30	
10093084-2020LF	2.0	30	
10093084-2025LF	2.5	30	
10093084-2030LF	3.0	30	
10093084-2050LF	5.0	30	
10093084-2070LF	7.0	30	
10093084-3005LF	0.5	28	
10093084-3010LF	1.0	28	
10093084-3015LF	1.5	28	
10093084-3020LF	2.0	28	
10093084-3025LF	2.5	28	
10093084-3030LF	3.0	28	
10093084-3035LF	3.5	28	
10093084-3040LF	4.0	28	
10093084-3045LF	4.5	28	
10093084-3050LF	5.0	28	
10093084-3070LF	7.0	28	
10093084-4005LF	0.5	26	NOTE 12
10093084-4010LF	1.0	26	
10093084-4015LF	1.5	26	
10093084-4020LF	2.0	26	
10093084-4025LF	2.5	26	
10093084-4030LF	3.0	26	
10093084-4035LF	3.5	26	
10093084-4040LF	4.0	26	
10093084-4045LF	4.5	26	
10093084-4050LF	5.0	26	
10093084-4055LF	5.5	26	
10093084-4060LF	6.0	26	
10093084-4065LF	6.5	26	
10093084-4070LF	7.0	26	

PART NUMBER	"DIM L" LENGTH (Meters)	AWG	NOTES
10093084-5005LF	0.5	24	NOTE 12
10093084-5010LF	1.0	24	
10093084-5015LF	1.5	24	
10093084-5020LF	2.0	24	
10093084-5025LF	2.5	24	
10093084-5030LF	3.0	24	
10093084-5035LF	3.5	24	
10093084-5040LF	4.0	24	
10093084-5045LF	4.5	24	
10093084-5050LF	5.0	24	
10093084-5055LF	5.5	24	
10093084-5060LF	6.0	24	
10093084-5065LF	6.5	24	
10093084-5070LF	7.0	24	
10093084-5075LF	7.5	24	
10093084-5080LF	8.0	24	
10093084-5085LF	8.5	24	
10093084-5090LF	9.0	24	
10093084-5095LF	9.5	24	
10093084-5100LF	10.0	24	

NON-HALOGEN FREE CABLE ASSEMBLY PART NUMBERS

spec ref	dr	Deborah Ingram	2009/07/20	projection	mm	size	A3	scale	1:1
tolerance std	eng	Shawn Xu	2015/10/25			ecn no	ELX-N-22246-1		
TOLERANCES UNLESS OTHERWISE SPECIFIED							product family	QSFP PLUG	rel level
surface	linear	0.X	±0.3		FINAL ASSEMBLY	dwg no	10093084		
		0.XX	±0.10						
		0.XXX	±0.050						
angular	0°	±2°	www.fci.com	cat. no.	-	Product - Customer Drw	sheet 4 of 6		



Copyright FCI.

PART NUMBER	"DIM L" LENGTH (Meters)	AWG	NOTES
10093084-1005HFLF	0.5	32	NOTE 11
10093084-1010HFLF	1.0	32	
10093084-2005HFLF	0.5	30	NOTE 11
10093084-200AHFLF	0.75	30	
10093084-2010HFLF	1.0	30	
10093084-2015HFLF	1.5	30	
10093084-2020HFLF	2.0	30	
10093084-2025HFLF	2.5	30	
10093084-2030HFLF	3.0	30	
10093084-2050HFLF	5.0	30	
10093084-2070HFLF	7.0	30	
10093084-3005HFLF	0.5	28	
10093084-3010HFLF	1.0	28	
10093084-3015HFLF	1.5	28	
10093084-3020HFLF	2.0	28	
10093084-3025HFLF	2.5	28	
10093084-3030HFLF	3.0	28	
10093084-3035HFLF	3.5	28	
10093084-3040HFLF	4.0	28	
10093084-3045HFLF	4.5	28	
10093084-3050HFLF	5.0	28	
10093084-3070HFLF	7.0	28	
10093084-4005HFLF	0.5	26	NOTE 11
10093084-4010HFLF	1.0	26	
10093084-4015HFLF	1.5	26	
10093084-4020HFLF	2.0	26	
10093084-4025HFLF	2.5	26	
10093084-4030HFLF	3.0	26	
10093084-4035HFLF	3.5	26	
10093084-4040HFLF	4.0	26	
10093084-4045HFLF	4.5	26	
10093084-4050HFLF	5.0	26	
10093084-4055HFLF	5.5	26	
10093084-4060HFLF	6.0	26	
10093084-4065HFLF	6.5	26	
10093084-4070HFLF	7.0	26	

PART NUMBER	"DIM L" LENGTH (Meters)	AWG	NOTES
10093084-5005HFLF	0.5	24	NOTE 11
10093084-5010HFLF	1.0	24	
10093084-5015HFLF	1.5	24	
10093084-5020HFLF	2.0	24	
10093084-5025HFLF	2.5	24	
10093084-5030HFLF	3.0	24	
10093084-5035HFLF	3.5	24	
10093084-5040HFLF	4.0	24	
10093084-5045HFLF	4.5	24	
10093084-5050HFLF	5.0	24	
10093084-5055HFLF	5.5	24	
10093084-5060HFLF	6.0	24	
10093084-5065HFLF	6.5	24	
10093084-5070HFLF	7.0	24	
10093084-5075HFLF	7.5	24	
10093084-5080HFLF	8.0	24	
10093084-5085HFLF	8.5	24	
10093084-5090HFLF	9.0	24	
10093084-5095HFLF	9.5	24	
10093084-5100HFLF	10.0	24	

HALOGEN FREE CABLE ASSEMBLY PART NUMBERS

spec ref	dr	Deborah Ingram	2009/07/20	projection	mm	size	A3	scale	3:10					
tolerance std	eng	Shawn Xu	2015/10/25			ecn no	ELX-N-22246-1							
TOLERANCES UNLESS OTHERWISE SPECIFIED						product family	QSFP PLUG	rel level	Released					
surface <input checked="" type="checkbox"/>	linear	0.X	±0.3		FINAL ASSEMBLY QSFP+ (PASSIVE) ASSEMBLY	dwg no	10093084			rev	N			
		0.XX	±0.10							www.fci.com	cat. no.	-	Product - Customer Drw	sheet 5 of 6
		0.XXX	±0.050											
	angular	0°	±2°											

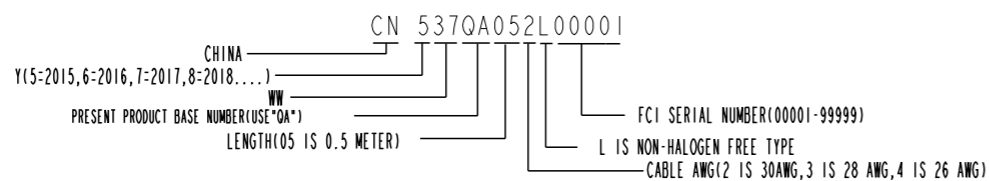
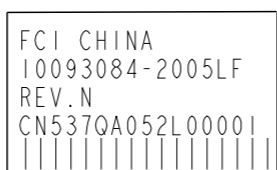


Copyright FCI.

NOTES:

- ① - MATERIAL:
 CASTINGS: ZINC ALLOY/ COPPER UNDERPLATE/ NICKEL OVERPLATE
 PULL TAB: THERMOPLASTIC POLYMER
 LATCH RELEASE: ZINC DIECAST, NICKEL OVERPLATE
 DRIVE SCREWS: STAINLESS STEEL
 STRAIN RELIEF COLLAR: BRASS
 SPRING: STAINLESS STEEL
 PADDLE CARD: PRINTED CIRCUIT SUBSTRATE
- 2 - THIS PRODUCT MEETS THE RESTRICTION OF HAZARDOUS SUBSTANCES IN ELECTRICAL AND ELECTRONIC EQUIPMENT (ROHS) DIRECTIVE (2002/95/EC)
- ③. THIS DIMENSION IS A FINISHED PRODUCT LENGTH.
- ④- UNLESS OTHERWISE SPECIFIED ASSEMBLED LENGTH TOLERANCE IS TO BE:
 "DIM L" < 1 METER = ± 25mm
 "DIM L" = 1 METER TO 10 METERS = ± 2% OF "DIM L"
 "DIM L" > 10 METERS = +0.00 / -4% OF "DIM L"
- ⑤- UNLESS OTHERWISE SPECIFIED LABEL POSITION IS TO BE 50mm FROM REAR OF CONNECTOR.

LABEL DETAILS:
 MANUFACTURER CODE OR NAME COUNTRY ORIGIN
 CUSTOMER P/N OR FCI P/N
 REVISION
 DATE CODE (Y/WW FORMAT) - SERIAL NUMBER
 2D BAR CODE OF SERIAL NUMBER



FONT SHALL BE CLEARLY VISIBLE AND BLACK IN COLOR.

- ⑥- ALL CABLE ASSEMBLIES SHALL BE 100% TESTED FOR CONTINUITY AS DEFINED IN WIRING LIST.
- 7 - IMPEDANCE: 100Ω DIFFERENTIAL.
- 8 - OTHER TESTING PERFORMED AS REQUIRED BY PRODUCT SPECIFICATION: GS-12-622.
- 9 - PACKAGING OF LEAD FREE PRODUCTS MEETS LABELING AND PACKAGING PER SPECIFICATION GS-14-920. PACKAGE CABLE ASSEMBLIES PER GS-14-1272. DUST CAPS ARE TO BE ASSEMBLED PRIOR TO PACKAGING.
- 10. A "△" SYMBOL WILL BE NEXT TO ANY DIMENSION, VIEW, OR NOTE WHICH HAS BEEN MODIFIED WITH THE CURRENT DRAWING REVISION. THE CURRENT REVISION WILL BE SHOWN IN THE SYMBOL.

- ⑪. "HF" PRODUCT NUMBERS DESIGNATE THE USE OF HALOGEN FREE RAW CABLE.
- ⑫. HALOGEN FREE RAW CABLE CAN BE USED AS A SUBSTITUTE ON NON-HF PRODUCT NUMBERS.
- 13. LONGER LENGTH APPLICATIONS REQUIRE HOST SYSTEM PREMPHASIS AND/OR EQUALIZATION.
- 14. PRODUCT CAPABILITY MATRIX SHOWS THE MINIMUM RECOMMENDED CABLE GAUGE PER LENGTH TO MEET THE PERFORMANCE LEVEL OF EACH INDUSTRY STANDARD.
- 15. RAW CABLE IS OPTIONAL WHICH HAD BEEN QUALIFIED BY FCI AND MEET FCI PRODUCT SPEC GS-12-622

PRODUCT CAPABILITY MATRIX (SEE NOTE 14)

PERFORMANCE LEVEL	CABLE LENGTH / AWG									
	1M	2M	3M	4M	5M	6M	7M	8M	9M	10M
Infiniband - QDR	30	30	30	28	26	24				
Infiniband - DDR	30	30	30	28	28	26	26	24	24	24
Infiniband - SDR	30	30	30	28	28	26	26	24	24	24



Copyright FCI.

spec ref	dr	Deborah Ingram	2009/07/20	projection	mm	size	A3	scale	3:10
tolerance std	eng	Shawn Xu	2015/10/25			ecn no	ELX-N-22246-1		
TOLERANCES UNLESS OTHERWISE SPECIFIED surface ✓	chr	-	-			product family	QSFP PLUG	rel level	Released
	appr	Frank Mao	2015/10/25		FINAL ASSEMBLY QSFP+ (PASSIVE) ASSEMBLY	dwg no 10093084	rev		
	linear 0.X ±0.3 0.XX ±0.10 0.XXX ±0.050 angular 0° ±2°	www.fci.com	cat. no.				Product - Customer Drw	sheet 6 of 6	N

Mouser Electronics

Authorized Distributor

Click to View Pricing, Inventory, Delivery & Lifecycle Information:

[FCI / Amphenol:](#)

[10093084-2005LF](#) [10093084-2010LF](#) [10093084-2030LF](#) [10093084-3050LF](#) [10093084-4050LF](#) [10093084-5070LF](#)
[10093084-1005HFLF](#) [10093084-2005HFLF](#) [10093084-2010HFLF](#) [10093084-3015HFLF](#) [10093084-3030HFLF](#)
[10093084-4005HFLF](#) [10093084-200AHFLF](#)