

Customer Information Sheet

DRAWING No.: M80-510XXXX

SHEET 2 OF 2

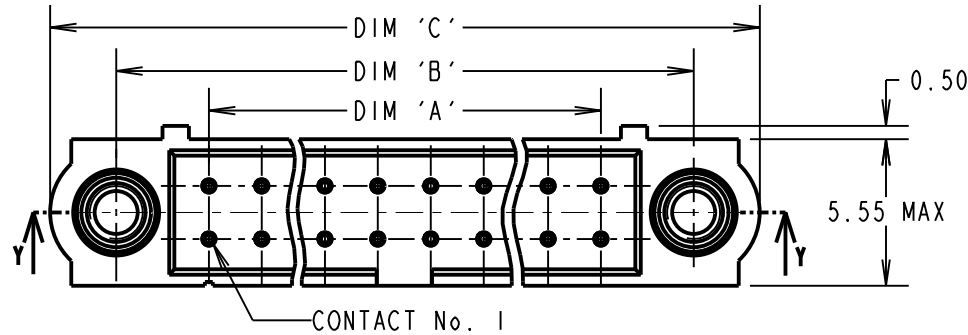
IF IN DOUBT - ASK

©

NOT TO SCALE

THIRD ANGLE PROJECTION

ALL DIMENSIONS IN mm



ORDER CODE:
M80-510XXXX

No. OF CONTACTS
04 TO 50
(EVEN NUMBERS ONLY)

FINISH
05 - GOLD ALL OVER
22 - SELECTIVE GOLD + TIN/LEAD
42 - SELECTIVE GOLD + 100% TIN OVER NICKEL

SPECIFICATIONS:

MATERIAL:
MOULDING = GLASS-FILLED PPS, UL94V-0, BLACK
CONTACT = PHOSPHOR BRONZE
JACKSCREW = STAINLESS STEEL

FINISH (CONTACTS):
22 = 0.75µ GOLD ON CONTACT AREA, 3µ 90/10 TIN/LEAD ON TAILS
42 = 0.75µ GOLD ON CONTACT AREA, 3µ 100% TIN OVER NICKEL ON TAILS
05 = 0.75µ GOLD ALL OVER

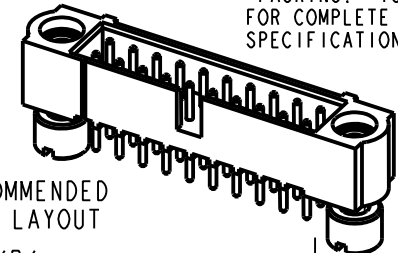
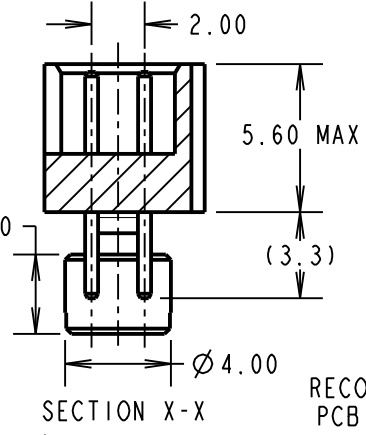
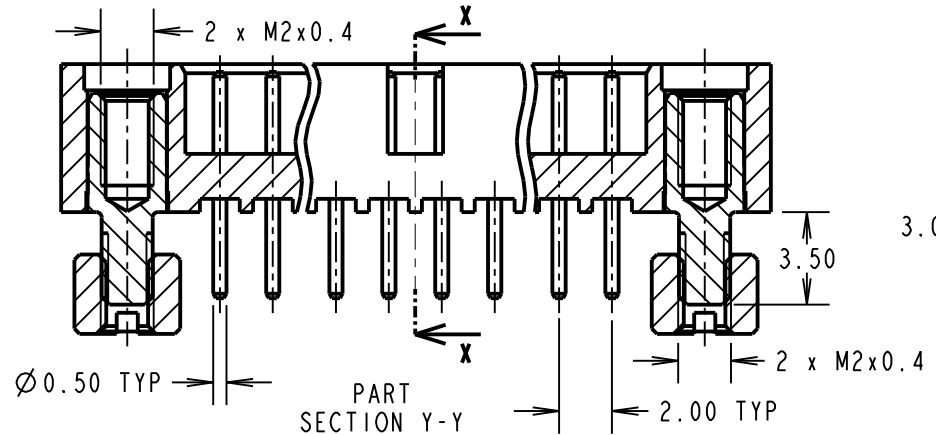
ELECTRICAL:
CURRENT RATING AT 25°C = 3.0A MAX
CURRENT RATING AT 85°C = 2.2A MAX
WORKING VOLTAGE = 800V AC/DC
VOLTAGE PROOF = 1200V AC/DC
CONTACT RESISTANCE = 25 mΩ MAX
INSULATION RESISTANCE = 100 MΩ MIN

MECHANICAL:
DURABILITY = 500 OPERATIONS

ENVIRONMENTAL:
TEMPERATURE RANGE = -55°C TO +125°C

PACKING: TUBE

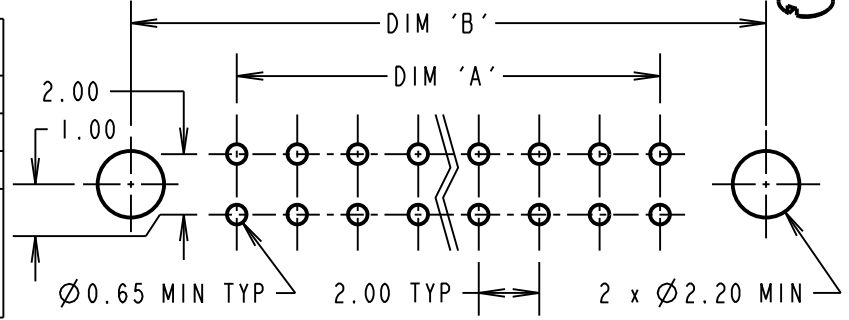
FOR COMPLETE SPECIFICATION, SEE COMPONENT SPECIFICATION C005XX (LATEST ISSUE)



DIMENSION	CALCULATION
DIM 'A'	TOTAL No. OF CONTACTS - 2
DIM 'B'	TOTAL No. OF CONTACTS + 5
DIM 'C'	TOTAL No. OF CONTACTS + 10

EXAMPLE: CONNECTOR WITH 20 CONTACTS, GOLD ON CONTACT AREA AND 100% TIN OVER NICKEL ON TAIL, M80-5102042

DIM 'A' = 18.00mm DIM 'B' = 25.00mm DIM 'C' = 30.00mm



MGP	2	28.03.13	11987
NAME	ISS.	DATE	C/NOTE
APPROVED: MGP			
CHECKED: SB			
DRAWN: W. J. BOURNE			
CUSTOMER REF.:			
ASSEMBLY DRG:			

HARWIN

www.harwin.com
technical@harwin.com

THIS DRAWING AND ANY INFORMATION OR DESCRIPTIVE MATTER SET OUT HEREON ARE CONFIDENTIAL AND COPYRIGHT PROPERTY OF THE HARWIN GROUP AND MUST NOT BE DISCLOSED, LOANED, COPIED OR USED FOR MANUFACTURING, TENDERING OR FOR ANY OTHER PURPOSE WITHOUT THEIR WRITTEN PERMISSION.

TOLERANCES
X. = ±1mm
X.X = ±0.25mm
X.XX = ±0.10mm
X.XXX = ±0.01mm

ANGLES = ±5°
UNLESS STATED

MATERIAL:
SEE ABOVE

FINISH:
SEE ABOVE

S/AREA:
mm²

TITLE: DATAMATE J-TEK DIL VERT 3.0mm PC TAIL MALE ASSY WITH BOARD MOUNT

DRAWING NUMBER:
M80-510XXXX

SHT 2 OF 2

Mouser Electronics

Authorized Distributor

Click to View Pricing, Inventory, Delivery & Lifecycle Information:

Harwin:

[M80-5105022](#) [M80-5101022](#) [M80-5101422](#) [M80-5104222](#) [M80-5102622](#) [M80-5100642](#) [M80-5105042](#) [M80-5103442](#) [M80-5102642](#) [M80-5102042](#) [M80-5104422](#) [M80-5101042](#) [M80-5101442](#) [M80-5104242](#) [M80-5100842](#) [M80-5102022](#) [M80-5100622](#) [M80-5103422](#) [M80-5101222](#) [M80-5101242](#) [M80-5101822](#) [M80-5101842](#) [M80-5102405](#) [M80-5100442](#) [M80-5101805](#) [M80-5103842](#) [M80-5100405](#) [M80-5103805](#) [M80-5101005](#) [M80-5102005](#) [M80-5101405](#) [M80-5100605](#) [M80-5101205](#) [M80-5101605](#) [M80-5105005](#) [M80-5100822](#) [M80-5103822](#) [M80-5100422](#) [M80-5100805](#) [M80-5102805](#) [M80-5104205](#) [M805101622](#)