

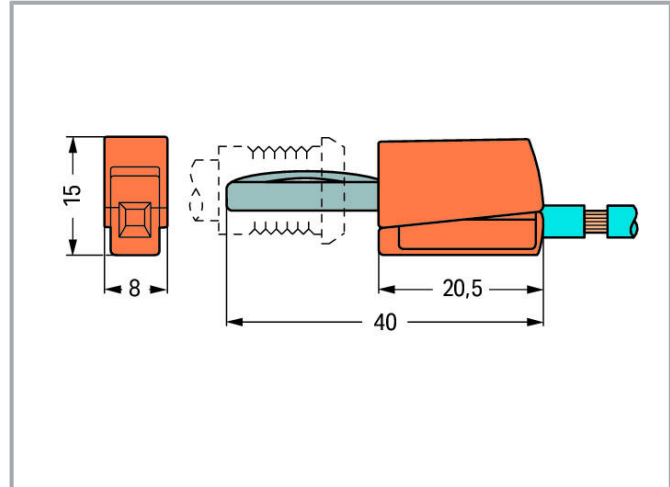
## Data sheet | Item number: 215-511

Banana plug; for socket 4 mm Ø; 2.50 mm<sup>2</sup>; yellow

[www.wago.com/215-511](http://www.wago.com/215-511)



Color: 



### Data

#### Technical data

Main product function	Testing accessories
Total number of potentials	1

#### Electrical data

Rated current	20 A
Test voltage	42 V

#### Connection data

Connection technology	CAGE CLAMP®
Strip length	9 ... 11 mm / 0.35 ... 0.43 inch
Total number of connection points	1
Solid conductor	0.08 ... 2.5 mm <sup>2</sup> / 28 ... 14 AWG
Fine-stranded conductor	0.08 ... 2.5 mm <sup>2</sup> / 28 ... 14 AWG

Subject to changes. Please also observe the further product documentation!

WAGO Private Limited  
NH No. 8, Block No. 94 Vadsala,  
Block No. 1187 Varnama, Village Varnama / Vadsala  
Ta. & Distt. Vadodara, Vadodara, Gujarat-391243  
Phone: +91-265-6812100 | Email: [info.india@wago.com](mailto:info.india@wago.com)

Do you have any questions about our products?  
We are always happy to take your call at +91-265-6812100.



## Physical data

Width	8 mm / 0.315 inch
Height	15 mm / 0.591 inch
Depth	40 mm / 1.575 inch

## Material data

Color	yellow
Weight	3.9 g

## Commercial data

Product Group	2 (Terminal Block Accessories)
PU (SPU)	50 Stück
Packaging type	box
Country of origin	DE
GTIN	4045454293512
Customs tariff number	85366990990

## Downloads

### Documentation

#### Bid Text

215-511 X81 - Datei	Feb 19, 2019	xml 3.1 kB	Download
215-511 doc - Datei	Sep 19, 2017	doc 25.1 kB	Download

### CAD/CAE-Data

#### CAE data

EPLAN Data Portal 215-511	URL	Download
WSCAD Universe 215-511	URL	Download

Subject to changes. Please also observe the further product documentation!

## Environmental Product Compliance

### Compliance Search

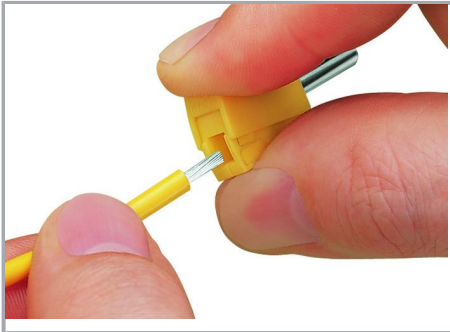
Environmental Product Compliance 215-511  
Banana plug; for socket 4 mm Ø; 2.50 mm<sup>2</sup>; yellow

[URL](#)

[Download](#)

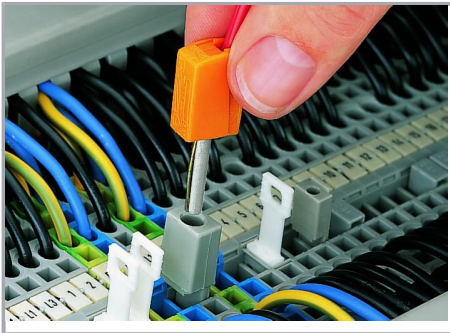
## Installation Notes

### Conductor termination



Conductor termination: Press button fully, insert stripped conductor into square entry and release.

### Testing



Testing via banana plug.

Picture shows a test plug adapter (209-170).

Subject to changes. Please also observe the further product documentation!