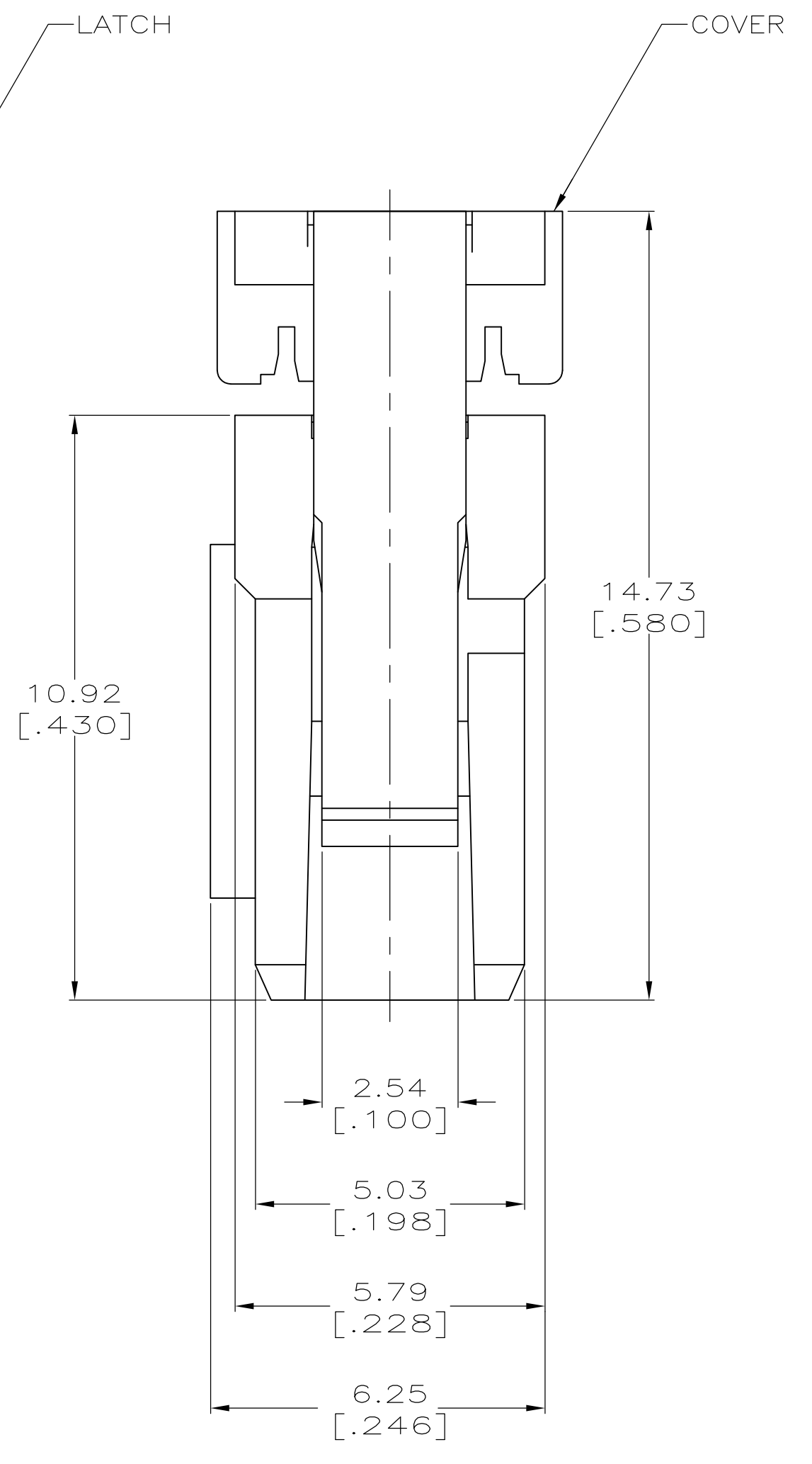
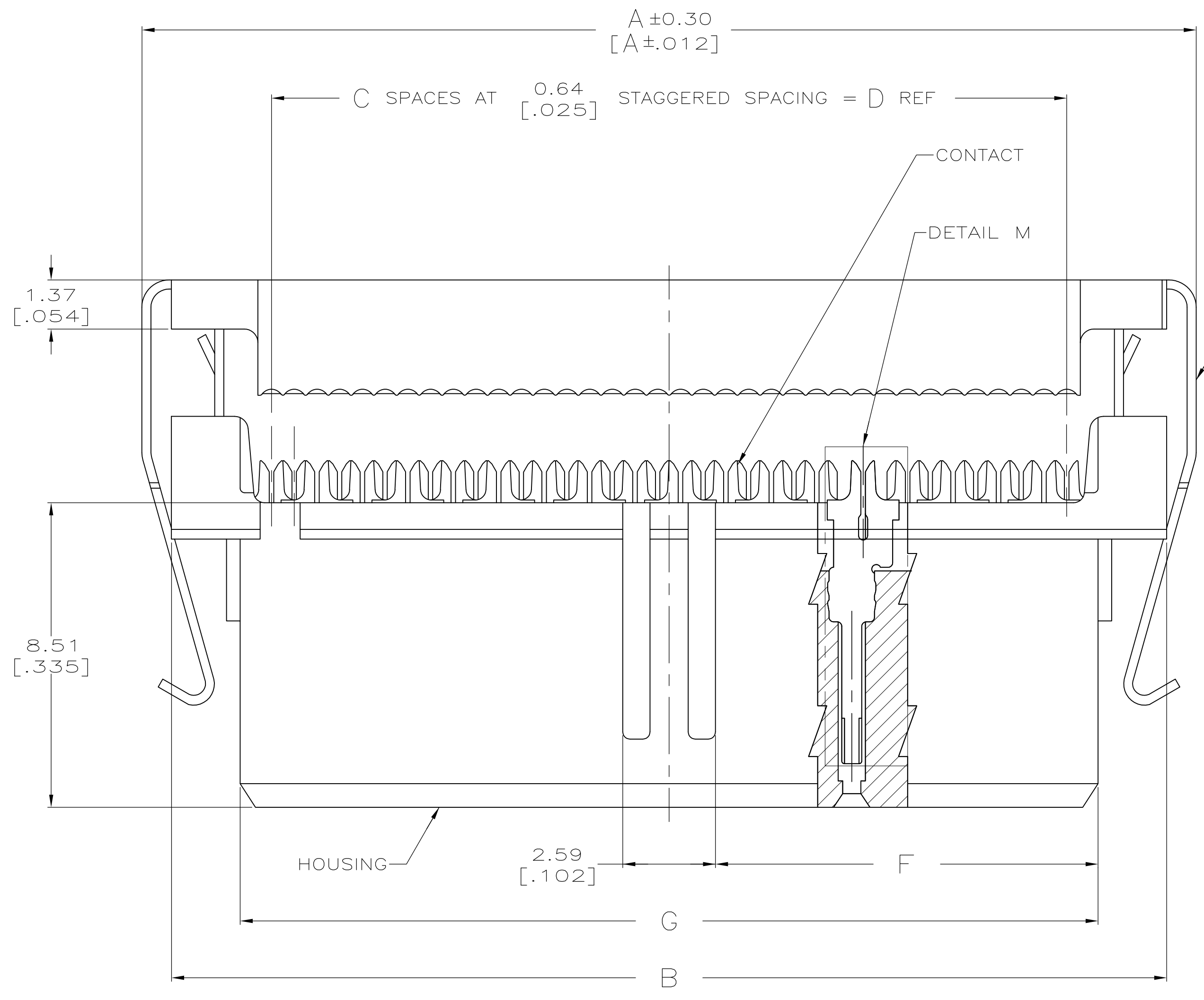
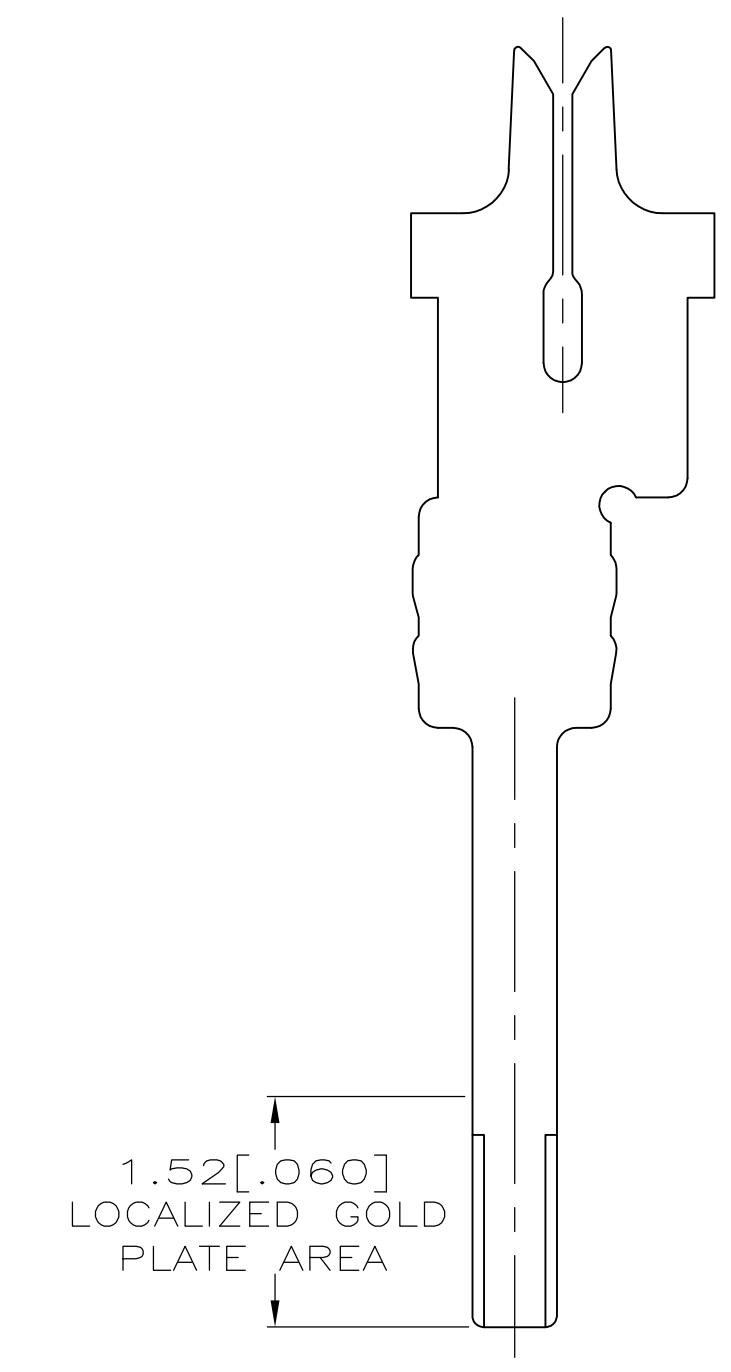


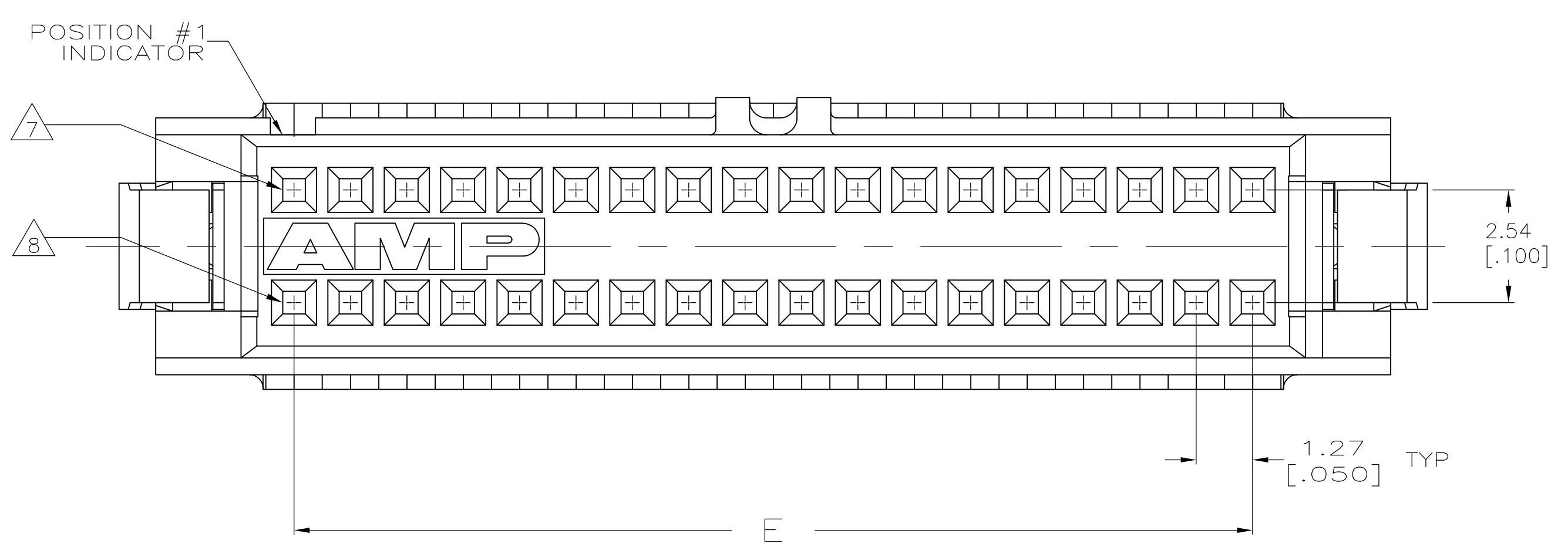
TERMINATED VIEW  
SCALE 5:1



BEFORE TERMINATION



DETAIL M  
SCALE 20:1  
TYPICAL



THIS DRAWING IS A CONTROLLED DOCUMENT. DIMENSIONING AND TOLERANCING PER ASME Y14.5M-2009		DWG: J. GERACE 20JUL04 CHK: C. ROHDE 20JUL04 APPD: M. WALMSLEY 20JUL04	NAME: AMP-LATCH™ SYSTEM 50, RECEPTACLE ASSEMBLY, 0.64[.025] IDC
DIMENSIONS: mm [INCHES]	TOLERANCES UNLESS OTHERWISE SPECIFIED:	PRODUCT SPEC: 108-1109	APPLICATION SPEC: 114-25029
0. PLC ± -	1. PLC ± -	2. PLC ± 0.13[.005]	3. PLC ± -
4. PLC ANGLES ± -			
MATERIAL: SEE SHEET 2	FINISH: SEE SHEET 2	WEIGHT: -	SIZE: A1 00779 C=111196
CUSTOMER DRAWING		SCALE: 10:1	SHEET 1 OF 2 REV N1

- ① HOUSING MATERIAL: UL RATED 94V-0 LCP THERMOPLASTIC, COLOR-BLACK.  
COVER MATERIAL: UL RATED 94V-0 POLYESTER OR POLYAMIDE MOLDING COMPOUND, COLOR-BLACK.
- ② CONTACT MATERIAL: COPPER ALLOY.
- ③ LATCH MATERIAL: STAINLESS STEEL.
- ④ CONTACT FINISH: 0.00076 [.000030] MIN THICK GOLD PLATE ON LOCALIZED GOLD PLATE AREA, 0.00254-0.00508 [.000100-.000200] THICK BRIGHT TIN OR BRIGHT TIN-LEAD ON IDC END, ALL OVER 0.00127 [.000050] MIN THICK NICKEL PLATE.
- 5. MATES WITH 0.38 [.015] SQUARE OR ROUND POSTS, 3.18±0.10 [.125±.004] LONG, ON 1.27 [.050] x 2.54 [.100] GRID.
- ⑥ CONTACT FINISH: 0.00076 [.000030] MIN THICK GOLD PLATE ON LOCALIZED GOLD PLATE AREA, 0.00254-0.00508 [.000100-.000200] THICK TIN ON IDC END, ALL OVER 0.00127 [.000050] MIN THICK NICKEL PLATE.
- ⑦ POSITION 1: ALL ODD NUMBERED POSITIONS IN THIS ROW.
- ⑧ POSITION 2: ALL EVEN NUMBERED POSITIONS IN THIS ROW.

	⑥	44.30 [1.744]	20.85 [.821]	41.91 [1.650]	42.54 [1.675]	67	48.13 [1.895]	49.78 [1.960]	68	3-111196-4
	⑥	51.92 [2.044]	24.66 [.971]	49.53 [1.950]	50.16 [1.975]	79	55.75 [2.195]	57.40 [2.260]	80	3-111196-3
	⑥	41.76 [1.644]	19.58 [.771]	39.37 [1.550]	40.00 [1.575]	63	45.59 [1.795]	47.24 [1.860]	64	3-111196-2
	⑥	29.06 [1.144]	13.23 [.521]	26.67 [1.050]	27.30 [1.075]	43	32.89 [1.295]	34.54 [1.360]	44	3-111196-1
	⑥	22.71 [.894]	10.06 [.396]	20.32 [.800]	20.96 [.825]	33	26.54 [1.045]	28.19 [1.110]	34	3-111196-0
	⑥	17.63 [.694]	7.52 [.296]	15.24 [.600]	15.88 [.625]	25	21.46 [.845]	23.11 [.910]	26	2-111196-9
	⑥	16.36 [.644]	6.88 [.271]	13.97 [.550]	14.60 [.575]	23	20.19 [.795]	21.84 [.860]	24	2-111196-8
	⑥	11.28 [.444]	4.34 [.171]	8.89 [.350]	9.52 [.375]	15	15.11 [.595]	16.76 [.660]	16	2-111196-7
	⑥	10.01 [.394]	3.71 [.146]	7.62 [.300]	8.26 [.325]	13	13.84 [.545]	15.49 [.610]	14	2-111196-6
	⑥	7.47 [.294]	2.44 [.096]	5.08 [.200]	5.72 [.225]	9	11.30 [.445]	12.95 [.510]	10	2-111196-5
	⑥	64.62 [2.544]	31.01 [1.221]	62.23 [2.450]	62.86 [2.475]	99	68.45 [2.695]	70.10 [2.760]	100	2-111196-4
	⑥	46.84 [1.844]	22.12 [.871]	44.45 [1.750]	45.08 [1.775]	71	50.67 [1.995]	52.32 [2.060]	72	2-111196-3
	⑥	39.22 [1.544]	18.31 [.721]	36.83 [1.450]	37.46 [1.475]	59	43.05 [1.695]	44.70 [1.760]	60	2-111196-2
	⑥	32.87 [1.294]	15.14 [.596]	30.48 [1.200]	31.12 [1.225]	49	36.70 [1.445]	38.35 [1.510]	50	2-111196-1
	⑥	26.52 [1.044]	11.96 [.471]	24.13 [.950]	24.76 [.975]	39	30.35 [1.195]	32.00 [1.260]	40	2-111196-0
	⑥	20.17 [.794]	8.79 [.346]	17.78 [.700]	18.42 [.725]	29	24.00 [.945]	25.65 [1.010]	30	1-111196-9
	⑥	13.82 [.544]	5.61 [.221]	11.43 [.450]	12.06 [.475]	19	17.65 [.695]	19.30 [.760]	20	1-111196-8
OBSOLETE	④	44.30 [1.744]	20.85 [.821]	41.91 [1.650]	42.54 [1.675]	67	48.13 [1.895]	49.78 [1.960]	68	1-111196-7
	④	64.62 [2.544]	31.01 [1.221]	62.23 [2.450]	62.86 [2.475]	99	68.45 [2.695]	70.10 [2.760]	100	1-111196-6
	④	51.92 [2.044]	24.66 [.971]	49.53 [1.950]	50.16 [1.975]	79	55.75 [2.195]	57.40 [2.260]	80	1-111196-5
OBSOLETE	④	46.84 [1.844]	22.12 [.871]	44.45 [1.750]	45.08 [1.775]	71	50.67 [1.995]	52.32 [2.060]	72	1-111196-4
	④	41.76 [1.644]	19.58 [.771]	39.37 [1.550]	40.00 [1.575]	63	45.59 [1.795]	47.24 [1.860]	64	1-111196-3
	④	39.22 [1.544]	18.31 [.721]	36.83 [1.450]	37.46 [1.475]	59	43.05 [1.695]	44.70 [1.760]	60	1-111196-2
	④	32.87 [1.294]	15.14 [.596]	30.48 [1.200]	31.12 [1.225]	49	36.70 [1.445]	38.35 [1.510]	50	1-111196-1
	④	29.06 [1.144]	13.23 [.521]	26.67 [1.050]	27.30 [1.075]	43	32.89 [1.295]	34.54 [1.360]	44	1-111196-0
	④	26.52 [1.044]	11.96 [.471]	24.13 [.950]	24.76 [.975]	39	30.35 [1.195]	32.00 [1.260]	40	111196-9
OBSOLETE	④	22.71 [.894]	10.06 [.396]	20.32 [.800]	20.96 [.825]	33	26.54 [1.045]	28.19 [1.110]	34	111196-8
	④	20.17 [.794]	8.79 [.346]	17.78 [.700]	18.42 [.725]	29	24.00 [.945]	25.65 [1.010]	30	111196-7
	④	17.63 [.694]	7.52 [.296]	15.24 [.600]	15.88 [.625]	25	21.46 [.845]	23.11 [.910]	26	111196-6
	④	16.36 [.644]	6.88 [.271]	13.97 [.550]	14.60 [.575]	23	20.19 [.795]	21.84 [.860]	24	111196-5
	④	13.82 [.544]	5.61 [.221]	11.43 [.450]	12.06 [.475]	19	17.65 [.695]	19.30 [.760]	20	111196-4
OBSOLETE	④	11.28 [.444]	4.34 [.171]	8.89 [.350]	9.52 [.375]	15	15.11 [.595]	16.76 [.660]	16	111196-3
OBSOLETE	④	10.01 [.394]	3.71 [.146]	7.62 [.300]	8.26 [.325]	13	13.84 [.545]	15.49 [.610]	14	111196-2
	④	7.47 [.294]	2.44 [.096]	5.08 [.200]	5.72 [.225]	9	11.30 [.445]	12.95 [.510]	10	111196-1
	CONTACT FINISH	G	F	E	D	C	B	A	POSN	

THIS DRAWING IS A CONTROLLED DOCUMENT. DIMENSIONING AND TOLERANCING PER ASME Y14.5M-2009. TOLERANCES UNLESS OTHERWISE SPECIFIED: 0.125 ± .005. MATERIAL: MOLDED PARTS. FINISH: CONTACTS: SEE TABLE.

DIN R.K. SEIFRIED/UTA 11/13/92  
CHK R. RUCHTER 3/25/93  
APVD -

STE TE Connectivity

PRODUCT SPEC: AMP-LATCH SYSTEM 50, RECEPTACLE ASSEMBLY, 0.64[.025], IDC  
APPLICATION SPEC: 108-1109  
SIZE: 114-25029  
WEIGHT: -  
CUSTOMER DRAWING

SCALE: 10:1 SHEET: 2 OF 2 REV: N1

# Mouser Electronics

Authorized Distributor

Click to View Pricing, Inventory, Delivery & Lifecycle Information:

[TE Connectivity:](#)

[1-111196-8](#)