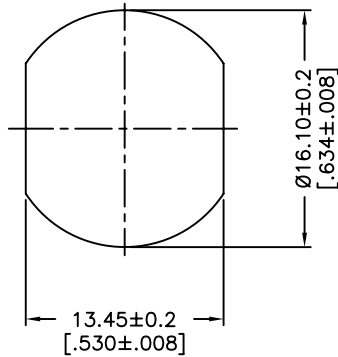
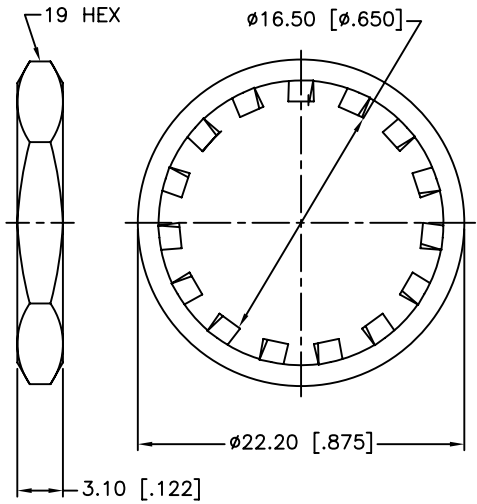
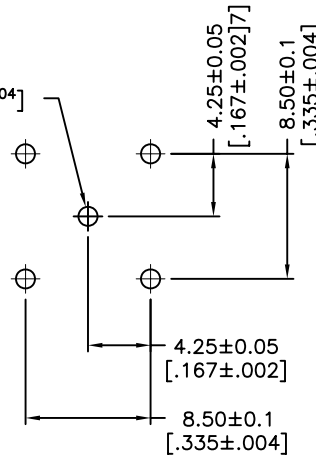


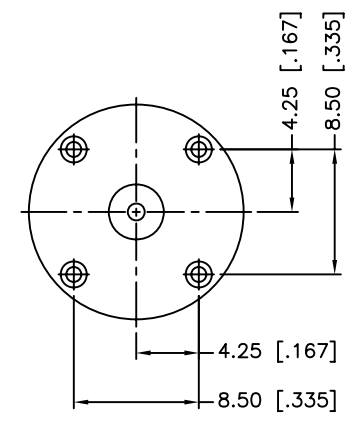
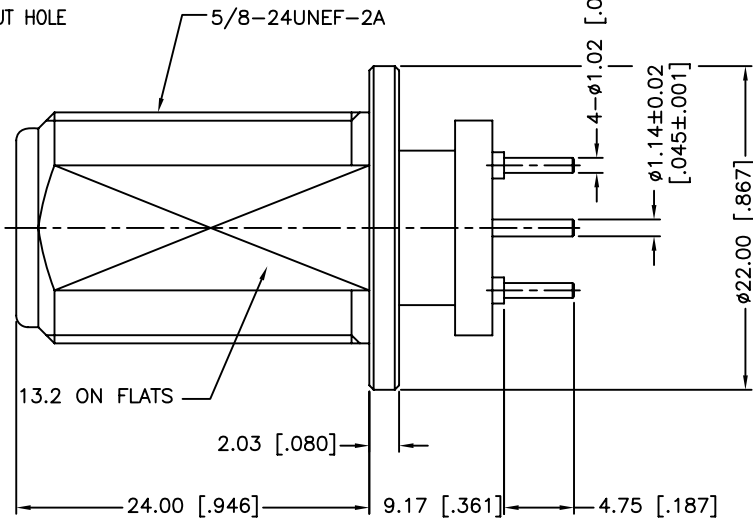
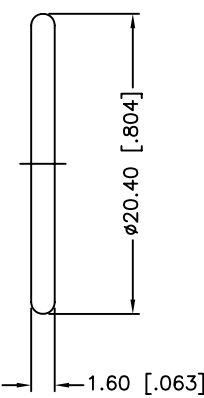
REV.	DATE	ECR NO.	DESCRIPTION
NC	04/28/99	XXXXXX	INITIAL RELEASE
A	06/01/99	XXXXXX	MODIFY PART VIEWS/ADD NOTE 1
B	10/10/06	XXXXXX	UPDATE PART CALL OUT/DRAWING FORMAT
C	5/14/09	XXXXXX	UPDATE BILL OF MATERIAL
D	09/15/10	2097	ADD MOUNTING HOLE AND PCB LAYOUT HOLE
E	03/29/11	2155	ADD THE TOLERANCE OF $\phi 1.14$
F	03/28/13	DM12010103F	UPDATE DRAWING FORMAT,ADD ELECTRICAL AND MECHANICAL NOTES



RECOMMENDED MOUNTING HOLE



PCB LAYOUT HOLE



NOTES:

1. MEETS STANDARD N SERIES INTERFACE DIMENSIONS PER MIL-STD-348
2. IMPEDANCE: 50 OHM
3. FREQUENCY RANGE: DC 0-11 GHZ
4. DIELECTRIC WITHSTANDING VOLTAGE: 1500 VRMS, MIN.
5. DURABILITY: 500 CYCLES MIN.
6. TEMPERATURE RANGE: -65°C TO +165°C

DESCRIPTION	MATERIAL	FINISH	QTY
8 HEX NUT	BRASS	NEXCOTE	1
7 LOCK WASHER	BRASS	NEXCOTE	1
6 GASKET	SILICONE	RED	1
5 PIN	BRASS	BRIGHT TIN	1
4 INNER BODY	BRASS	NEXCOTE	1
3 CONTACT PIN	BER. COPPER	GOLD	1
2 INSULATOR	PTFE	NATURAL	1
1 BODY	BRASS	NEXCOTE	1

UNLESS OTHERWISE SPECIFIED DIMENSIONS ARE IN MILLIMETERS. DIMENSIONS IN [] ARE IN INCHES AND FOR CUSTOMER REFERENCE ONLY.
 UNLESS OTHERWISE SPECIFIED TOLERANCES FOR MILLIMETERS ARE:
 <0.5 ± 0.05mm
 0.5 - 6mm ± 0.10mm
 6 - 30mm ± 0.20mm
 30 - 120mm ± 0.30mm
 ANGLES ± 1°
 UNLESS OTHERWISE SPECIFIED TOLERANCES FOR INCHES ARE:
 <.020 ± 0.002"
 .020 - .236 = ± 0.004"
 .236 - 1.180 = ± 0.007"
 1.180 - 4.724 = ± 0.012"
 ANGLES ± 1°
 DO NOT SCALE DRAWING

APPROVALS	DATE
DRAWN S.LI	03/28/12
CHECKED	
ISSUED	
SHEET 1 OF 1	
CAD FILE C:/CONNEX/172243.DWG	

Amphenol Connex

PART DESCRIPTION
N BULKHEAD PCB MOUNT RECEPT. JACK

PART NO. **172243**

DWG. NO. 172243.DWG REV. F SIZE A SCALE NA

Mouser Electronics

Authorized Distributor

Click to View Pricing, Inventory, Delivery & Lifecycle Information:

[Amphenol:](#)

[172243](#)