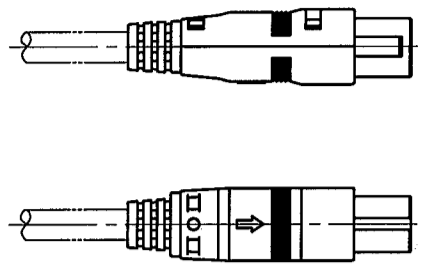
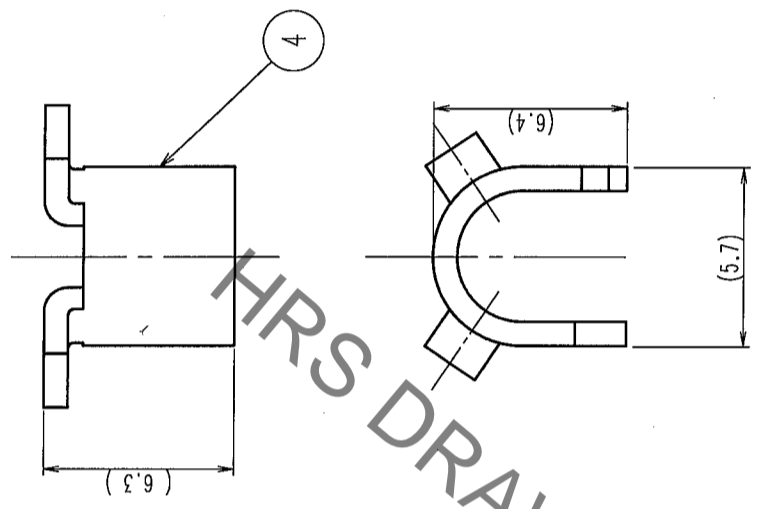
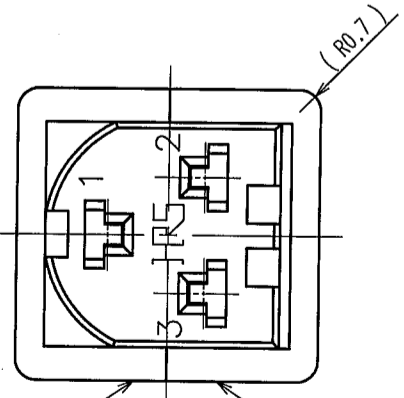
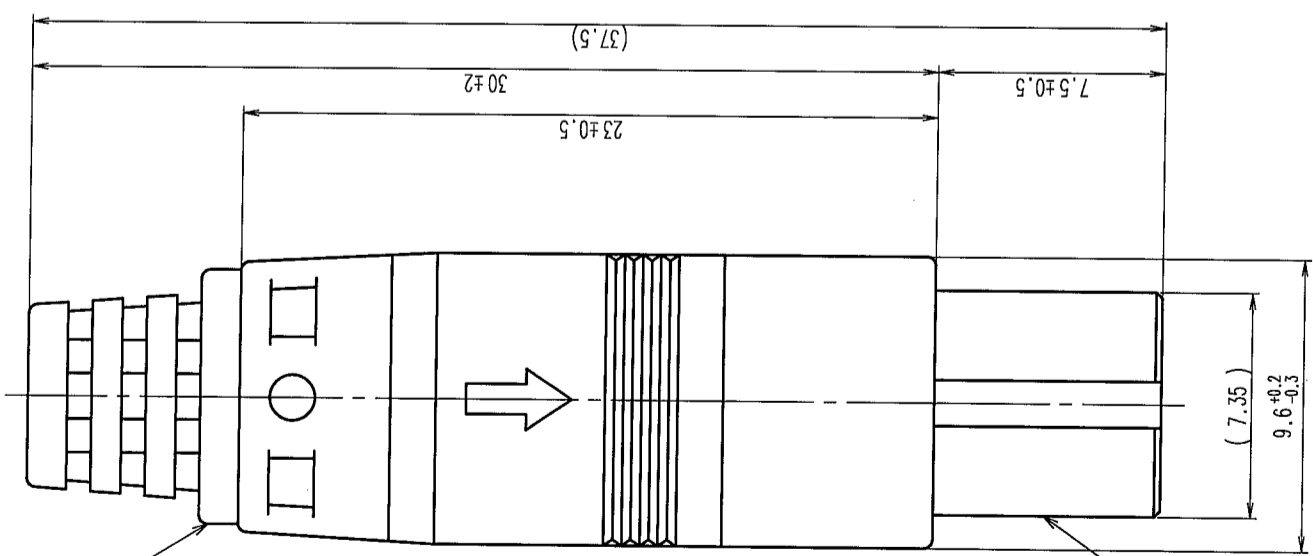
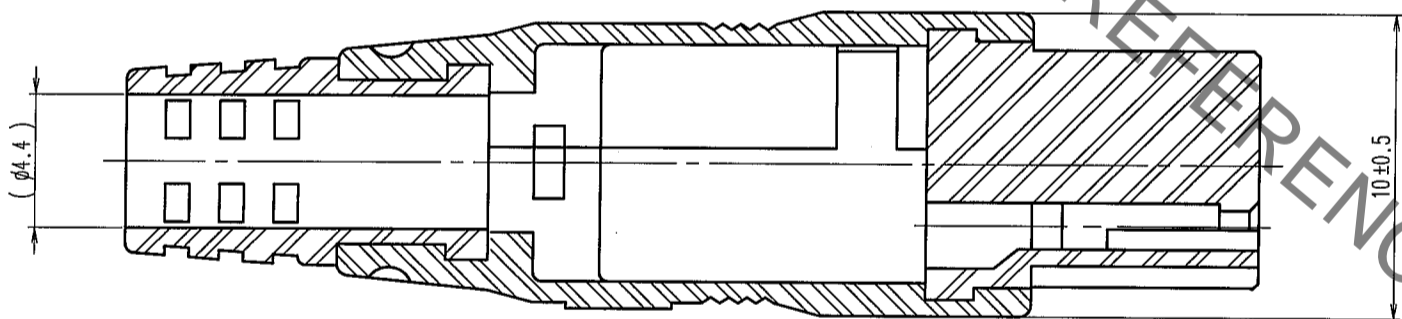


COUNT	DESCRIPTION OF REVISIONS	BY	CHKD	DATE	COUNT	DESCRIPTION OF REVISIONS	BY	CHKD	DATE
△					△				
△					△				
△					△				



1:1

- NOTE 1 APPLICABLE CRIMP CONTACT: RP34-SC-212  
 2 APPLICABLE CRIMP CONTACT EXTRACTION TOOL: RP34-SC-TP  
 3 APPLICABLE CLAMPING TOOL: RP34-TC-01  
 4 THIS PRODUCT DISASSEMBLED WHEN DELIVERED.

NO.	MATERIAL	FINISH, REMARKS	NO.	MATERIAL	FINISH, REMARKS
3	POLYCARBONATE	(BLACK) UL94V-0	5	PVC	(BLACK) UL94V-0
2	POLYCARBONATE	(BLACK) UL94V-0	4	BRASS	
1	POLYCARBONATE	(BLACK) UL94V-0			

CODE NO. (OLD)	CL	DRAWN	DESIGNED	CHECKED	APPROVED	RELEASED
		M. Ishihara	E. Yumino	H. Zemba	M. Sato	
		05.9.26	05.09.26	05.09.26	05.09.26	
		DRAWING NO. EDC3-045015-71		PART NO. RP34-8SP-3SC(71)		
		SCALE 4 : 1		CODE NO. CL113-5049-1-71		
		UNITS mm				



HIROSE ELECTRIC CO., LTD

# Mouser Electronics

Authorized Distributor

Click to View Pricing, Inventory, Delivery & Lifecycle Information:

[Hirose Electric:](#)

[RP34-8SP-3SC\(71\)](#)