

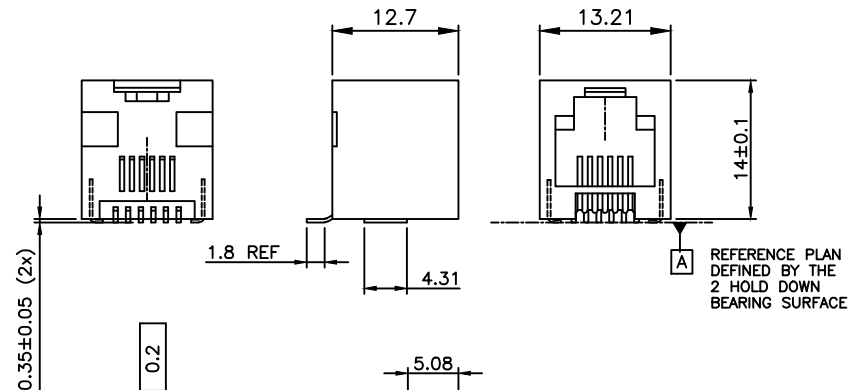
PRODUCT NUMBER
73334-XXXLF

PLATING OPTION
1= GXT 0.76 μ m
3= GOLD 0.76 μ m
5= GOLD 1.27 μ m

PACKAGE OPTION
1= TAPE ON REEL
2= TUBE
3= TAPE ON REEL IN PLASTIC BAG

TERMINAL LOADING
1= FULLY LOADED
2= POS 2,3,4,5
3= POS 1,2,5,6

WHEN NEEDED, SUFFIX LETTER "LF"
INDICATES THE PRODUCT IS RoHS
COMPATIBLE, SEE NOTE 4.



NOTES:

- 1 - MATERIAL: HOUSING: HIGH TEMP. PCT, COLOUR BLACK.
TERMINAL: PHOSPHOR BRONZE.
- 2 - PLATING: CONTACT AREA: SEE TABLE.
SOLDER TAIL : 90/10 SnPb 2 μ m MIN.
WHEN SUFFIX "LF" IS REQUIRED, 2 μ m MIN MATTE
TIN OVER 1.27 MIN Ni IS SUPPLIED INSTEAD OF SnPb.
NO RAW EDGES EXCEPT SOLDER TAIL TIPS
- 3 - SOLDER TAILS COPLANARITY : 0.1 mm
- 4 - RoHS COMPATIBLE PRODUCT SPECIFICATIONS

a - PLATING:

- "LF" MEANS THE PRODUCT IS LEAD-FREE,
2 μ m MINIMUM MATTE TIN OVER 1.27 μ m
MINIMUM NICKEL UNDERPLATE.

b - MANUFACTURING PROCESS COMPATIBILITY

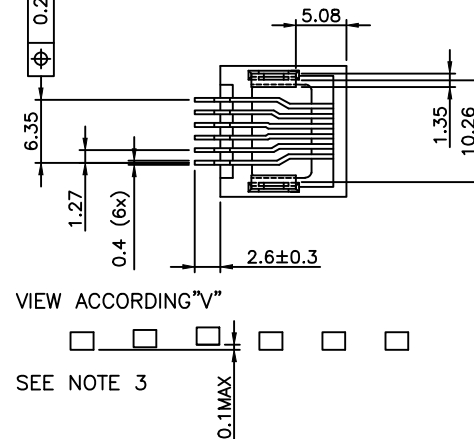
- THE HOUSING WILL WITHSTAND EXPOSURE TO
245°C PEAK TEMPERATURE FOR 30 SECONDS
MAX IN A CONVECTION, INFRA-RED OR VAPOR
PHASE OR REFLOW OVEN.

c - LABELING:

- MEETS PACKAGING SPECS AS PER GS-14-920

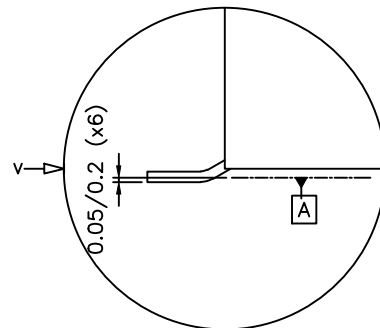
d - LEGAL STATEMENT: SEE GS-47-0004

- 5 - PACKAGING FOR OPTION 3 : EACH REEL IS WRAPPED INTO A PLASTIC BAG
TO PROTECT FROM MOISTURE DURING STACKING TIME.



VIEW ACCORDING "V"

SEE NOTE 3



CUSTOMER COPY FOR REFERENCE ONLY

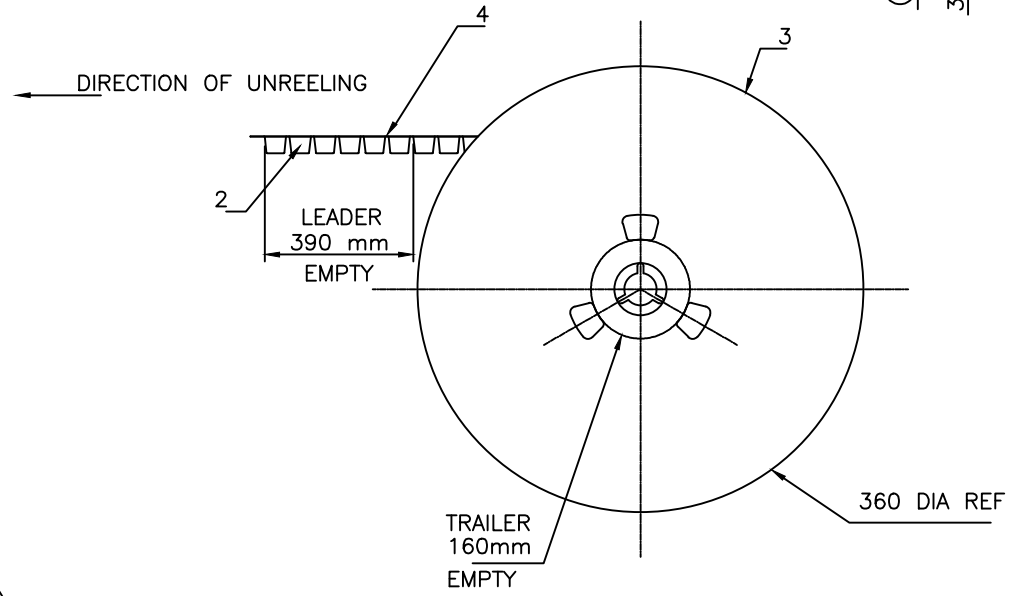
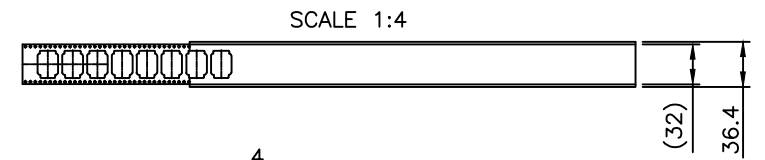
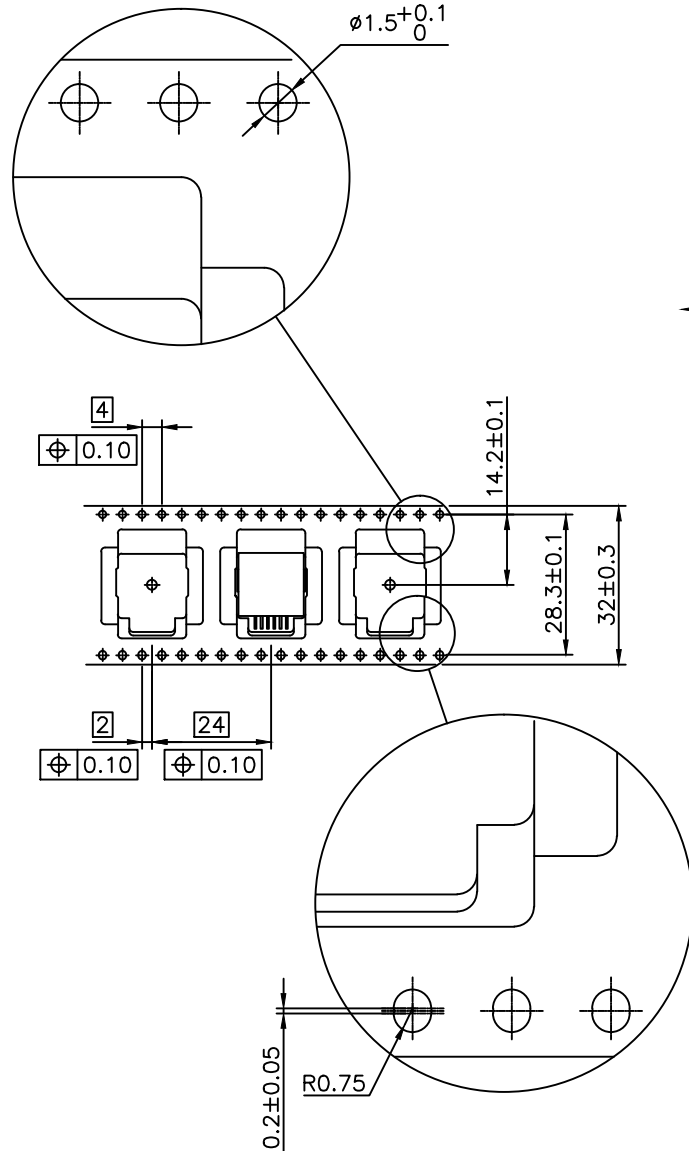
mat'l. code		surface		tolerance		projection		product family	
		ISO 1302 ✓		ISO 406 ISO 1101				MODULAR JACK	
ltr		ecn no		dr		date		title	
H		F10-0239		APA		10.10.25		SMT RA JACK	
J		B-15798		JFA		13.09.09		6 POS INSIDE	
K		F-21888		AMA		15.09.09		scale 2:1	
E		F04-0363		DLE		04.10.19		dr D LEGRAND	
F		F05-0247		DLE		05.09.12		enr P NIZZI	
G		F06-0244		DLE		06.07.18		chr D LEGRAND	
								app P NZ	
sheet		revision		K		D		B	
index		sheet		1		2		3	
								dwg no	
								73334	
								sheet 1 of 3	
								size	
								A3	
								type	
								CUSTOMER Drawing	



Copyright FCI

PRODUCT NUMBER
SEE SHEET 1

LTR	PART NAME	QTY
1	PRODUCT	230
2	TAPE	1
3	REEL	1
4	COVER TAPE	1



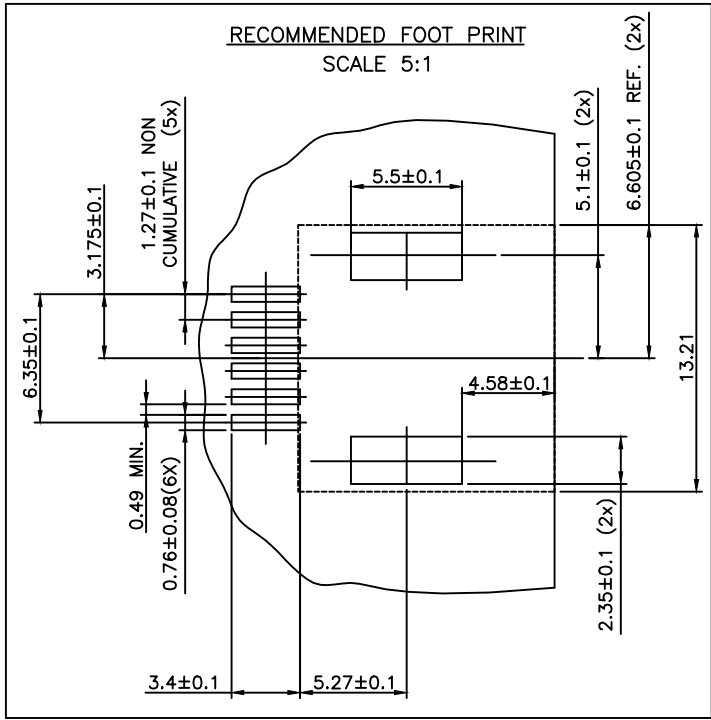
1- IN ACCORDANCE WITH EIA-481 AND IEC 296-3

CUSTOMER COPY FOR REFERENCE ONLY

mat'l. code		surface ISO 1302 ✓		tolerance ISO 406 ISO 1101		projection mm		product family MOD-JACK	
ltr		ecn no		dr		date		title SMT RA JACK 6 POS. INSIDE	
C		F80620		DLE		98.11.26		scale 1:1	
D		F06-024Q		DLE		06.07.18		dwg no 73334	
sheet index		revision sheet		dr		D LEGRAND		sheet 2 of 3 size A3	
				engr		P NIZZI		type CUSTOMER Drawing	
				chr		D LE			
				appd		P NZ			



Copyright FCI



FCconnect.com

CUSTOMER COPY FOR REFERENCE ONLY

mat'l. code		surface	tolerance	projection	product family	
		ISO 1302 <input checked="" type="checkbox"/>	ISO 406 ISO 1101		MODULAR JACK	
ltr	ecn no	dr	date	tolerances unless otherwise specified		title
A	F04-0363	DLE	04.10.19	angles	±0.13	SMT RA JACK 6 POS INSIDE
B	F06-0240	DLE	06.07.18	linear	mm	
				±2'	scale 2:1	
		dr	D LEGRAND	04.10.19	dwg no	sheet 3 of - size
		engr	P NIZZI	04.10.19	73334	A4
		chr	D LEGRAND	04.10.19	type CUSTOMER Drawing	
		appd	P NZ	04.10.19		
sheet index	revision sheet					



form: A4

Mouser Electronics

Authorized Distributor

Click to View Pricing, Inventory, Delivery & Lifecycle Information:

[Amphenol:](#)

[73334-111LF](#) [73334-112LF](#) [73334-131LF](#)