

max. 44 m³/h

DC axial fans

□ 70 x 15 mm



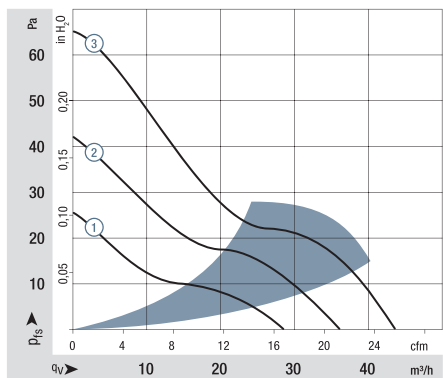
- **Material:** Housing: GRP¹⁾ (PBT)
Impeller: GRP¹⁾ (PA)
 - **Direction of air flow:** Exhaust over struts
 - **Direction of rotation:** Counter-clockwise, seen on rotor
 - **Connection:** Via single wires AWG 24 to AWG 28, TR 64
 - **Mass:** 53 g
- **Possible special versions:**
(See chapter DC fans - specials)
 - Speed signal
 - Go- / NoGo-alarm
 - Humidity protection

1) Fibreglass-reinforced plastic

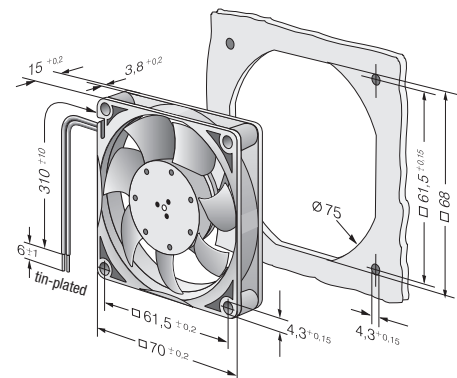
| Series 700 F | | | | | | | | | | | | | | |
|---------------|-------------------|------|-----------------|---------------|----------------------|-------------------|---|-------------|---------------|-------------------|--|--|---|-------|
| Nominal data | Air flow | | Nominal voltage | Voltage range | Sound pressure level | Sound power level | Sinter sleeve bearings Ball bearings | Input power | Nominal speed | Temperature range | Service life L ₁₀ (40 °C) ebm-papst Standard | Service life L ₁₀ (T _{max}) ebm-papst Standard | Life expectancy L ₁₀ IPC (40 °C), see page 17 | Curve |
| | m ³ /h | cfm | | | | | | | | | | | | |
| 712 F/2L-005* | 28 | 16,5 | 12 | 8...13,8 | 25 | 4,7 | □ | 0,6 | 3 300 | -20...+70 | 60 000 / 30 000 | | 102 500 | ① |
| 712 F/2M-006* | 36 | 21,2 | 12 | 8...13,8 | 32 | 5,0 | □ | 1,1 | 4 300 | -20...+70 | 60 000 / 30 000 | | 102 500 | ② |
| 712 F | 44 | 25,9 | 12 | 8...13,8 | 38 | 5,3 | □ | 1,7 | 5 300 | -20...+70 | 60 000 / 30 000 | | 102 500 | ③ |
| 714 F | 44 | 25,9 | 24 | 18...28 | 38 | 5,3 | □ | 1,5 | 5 300 | -20...+70 | 60 000 / 30 000 | | 102 500 | ③ |

Subject to alterations

*Version with 3-pin Molex plug housing 22-01-2035
Molex Contacts 08-50-0113



Air performance measured as per: ISO 5801, installation category A, without accidental contact.
Noise: Total sound power level L_{WA} ISO 103002 measured on half-sphere of 2 m;
Sound pressure level L_{pA} measured at 1 m distance to fan axis.
The acoustic values are only valid for the described measurement set-up and may vary depending on the installation situation.
In case of any deviation to the standard setup, the values have to be checked and reviewed once installed or fitted.
For detailed information see http://www.ebmpapst.com/general_conditions



Mouser Electronics

Authorized Distributor

Click to View Pricing, Inventory, Delivery & Lifecycle Information:

[ebm-papst:](#)

[712F](#) [714F](#) [712F/2L-005](#) [712F/2M-006](#)