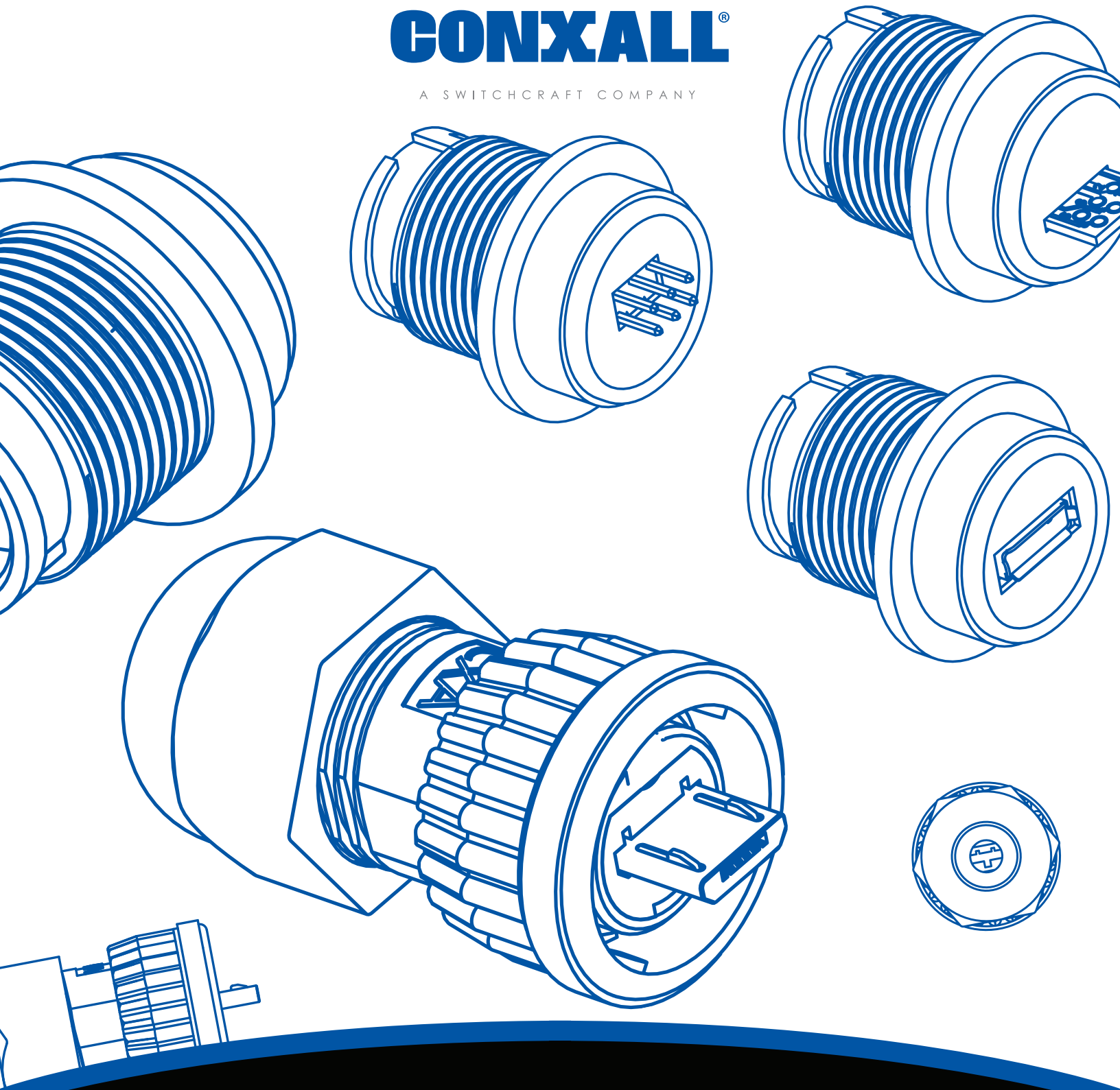


# CONXALL®

A SWITCHCRAFT COMPANY



## DATA-CON-X® SEALED MICRO-USB CONNECTORS

NPB | C716

# DATA-CON-X<sup>®</sup> SEALED MICRO-USB CONNECTORS

NPB | C716



## FEATURES & BENEFITS

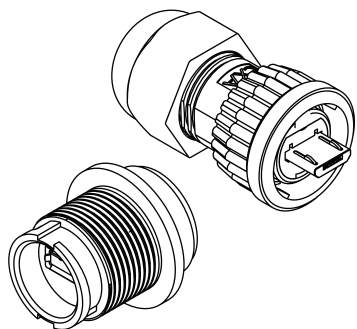
- Sealed to IP67 & IP68 NEMA 250 (6P)
- Feed through, PC Tail or Solder terminals for easy field installation
- Field installable design is easy to assemble
- Quick connect bayonet style interface
- RoHS compliant assembly

## APPLICATIONS

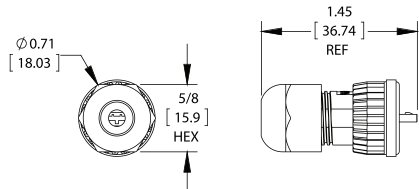
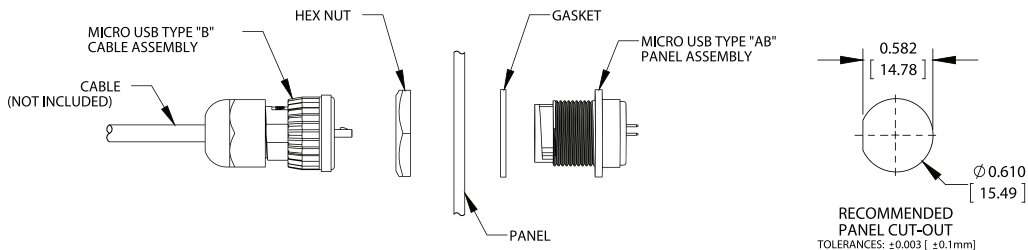
- Any sealed data transmission
- Military or industrial GPS location devices
- Instrumentation
- Medical data carts
- Data acquisition units
- General industrial electronic applications

# DATA-CON-X<sup>®</sup> SEALED MICRO-USB CONNECTORS

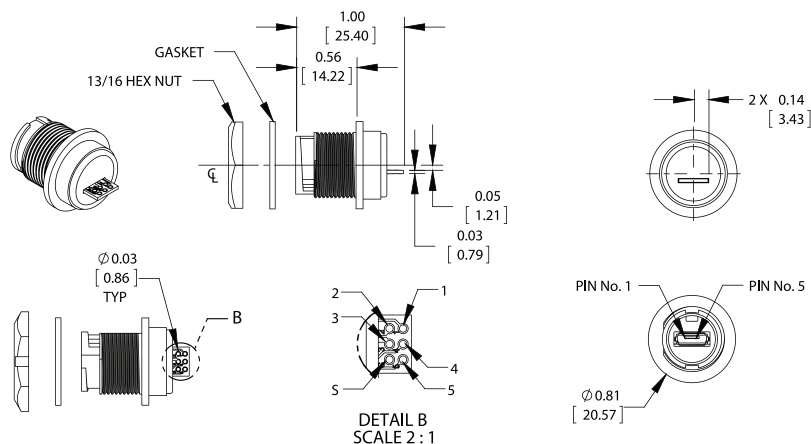
NPB | C716



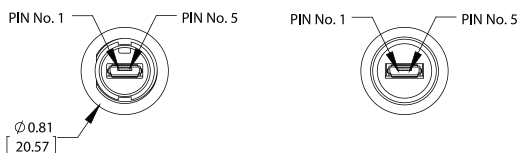
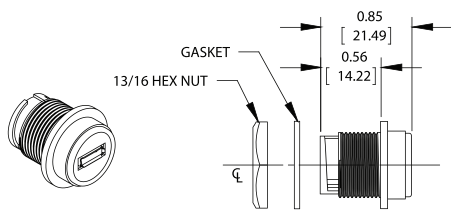
**DCC-USBCB-120**  
Micro-USB Field Installable Cable Plug



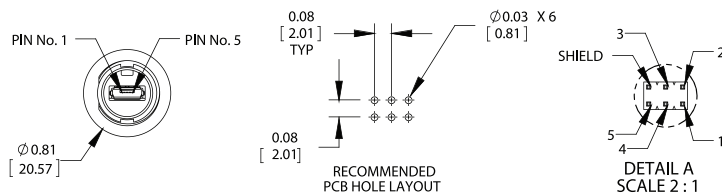
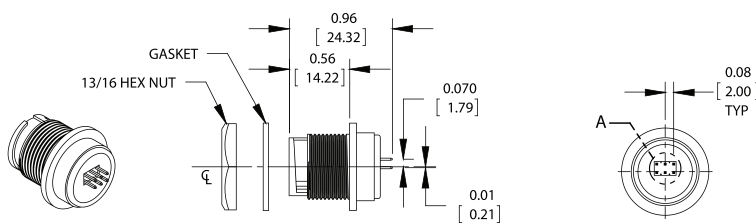
**DCP-USBCB-SC**  
Micro-USB Panel Mount - Solder Holes



**DCP-USBCB-F**  
Micro-USB Panel Mount - Feed-Thru



**DCP-USBCB-HD**  
Micro-USB Panel Mount - PC Tails



UNITS ARE LISTED IN INCHES [MM]. ALL DIMENSIONS ARE REFERENCE ONLY.

PLEASE VISIT [WWW.CONXALL.COM](http://WWW.CONXALL.COM) FOR THE MOST UP-TO-DATE PRODUCT SPECIFICATIONS.

# DATA-CON-X<sup>®</sup> SEALED MICRO-USB CONNECTORS

NPB | C716

## SPECIFICATIONS

### Mechanical Specifications

Life:	300 Cycles Minimum
Vibration:	Mil-Std 202G Method 201A
Hex Nut Torque:	10-12 in-lb
Coupling Locking Style:	Quick Connect (Bayonet)
Backshell Style:	Threaded Nut-Squeezed Grommet

### Electrical Specifications

Tested Per USB 2.0 Specifications

### Environmental Specifications

Operating Temperature Rating:	-25 °C to +85 °C (-13°F to +185°F)
Moisture Resistance:	Mil-Std 202G Method 106G
Insulation Resistance:	Mil-Std 202G Method 302
Thermal Shock:	Mil-Std 202G Method 107G
Weathertight:	IP67 & IP68, NEMA 250 (6P) (when mated)

### Material Specifications

Plug Nut, Coupling Nut:	Thermoplastic
Plug Housing, Insert:	Thermoplastic
Sealing Ring, O-Ring:	Elastomer
Panel Housing, Hex Nut:	Thermoplastic
Gasket:	Elastomer
Printed Circuit Board (PCB):	FR-4

### Header:

Insulator:	Thermoplastic UL94V-0, Black
Contacts:	Copper Alloy, Gold Flash

### Micro USB Type B Plug:

Insulator:	Thermoplastic UL94V-0, Black
Contacts:	Copper Alloy, Gold Plated (Contact Area)
Metal Shield:	Steel, Nickel Plated

### Micro USB Type AB Receptacle:

Insulator:	Thermoplastic UL94V-0, Black
Contacts:	Copper Alloy, Gold Flash (Contact Area)
Metal Shield:	Copper Alloy, Tin Plated

### Molded Cable Assemblies

Consult factory for molded options

### Other

Recommended Cable O.D. Range:	0.137-0.157 inches [3.5mm-4.0mm]
Recommended Panel Thickness:	0.031-0.187 inches [0.8mm-4.8mm]

# Mouser Electronics

Authorized Distributor

Click to View Pricing, Inventory, Delivery & Lifecycle Information:

[Switchcraft:](#)

[DCP-USBCB-HD](#) [DCP-USBCB-F](#) [DCP-USBCB-SC](#) [DCC-USBNB-120](#) [DCC-USBCB-120](#)