

MSTBO 2,5/4-6 ST SET KMGY - Printed-circuit board connector



2713764

<https://www.phoenixcontact.com/us/products/2713764>

Please be informed that the data shown in this PDF document is generated from our Online Catalog. Please find the complete data in the user documentation. Our General Terms of Use for Downloads are valid.

Kit consisting of COMBICON header and screw connectors for 6 x 4 positions (24-pos.), color: Light gray



Commercial Data

Item number	2713764
Packing unit	1 pc
Minimum order quantity	1 pc
Sales Key	AC08
Product Key	ACHADB
Catalog Page	Page 686 (C-1-2013)
GTIN	4017918914493
Weight per Piece (including packing)	57.1 g
Weight per Piece (excluding packing)	55.31 g
Customs tariff number	85366990
Country of origin	DE

MSTBO 2,5/4-6 ST SET KMGY - Printed-circuit board connector



2713764

<https://www.phoenixcontact.com/us/products/2713764>

Set consists of

MSTBO 2,5/ 4-G1L KMGY - PCB header

2907774

<https://www.phoenixcontact.com/us/products/2907774>



PCB headers, nominal cross section: 2.5 mm², color: light grey, nominal current: 12 A, rated voltage (III/2): 320 V, contact surface: Tin, type of contact: Male connector, number of potentials: 4, number of rows: 1, number of positions: 4, number of connections: 4, product range: MSTBO 2,5/...-G1L, pitch: 5 mm, mounting: Wave soldering, pin layout: Linear pinning, solder pin [P]: 3.5 mm, number of solder pins per potential: 1, locking: without, type of packaging: packed in cardboard, Product with pin output on left side

MSTBO 2,5/ 4-G1R KMGY - PCB header

2907787

<https://www.phoenixcontact.com/us/products/2907787>



PCB headers, nominal cross section: 2.5 mm², color: light grey, nominal current: 12 A, rated voltage (III/2): 320 V, contact surface: Tin, type of contact: Male connector, number of potentials: 4, number of rows: 1, number of positions: 4, number of connections: 4, product range: MSTBO 2,5/...-G1R, pitch: 5 mm, mounting: Wave soldering, pin layout: Linear pinning, solder pin [P]: 3.5 mm, number of solder pins per potential: 1, locking: without, type of packaging: packed in cardboard, Product with pin output on right side

MSTBO 2,5/4-6 ST SET KMGY - Printed-circuit board connector



2713764

<https://www.phoenixcontact.com/us/products/2713764>

MSTBT 2,5/ 4-ST KMGY - PCB connector

1878037

<https://www.phoenixcontact.com/us/products/1878037>



PCB connector, nominal cross section: 2.5 mm², color: light grey, nominal current: 12 A, rated voltage (III/2): 320 V, contact surface: Tin, type of contact: Female connector, number of potentials: 4, number of rows: 1, number of positions: 4, number of connections: 4, product range: MSTBT 2,5/..-ST, pitch: 5 mm, connection method: Screw connection with tension sleeve, screw head form: L Slotted, conductor/PCB connection direction: 0 °, pin layout: Linear pinning, locking clip: - Locking clip, plug-in system: COMBICON MSTB 2,5, locking: without, mounting: without, type of packaging: packed in cardboard

MSTBO 2,5/4-6 ST SET KMGY - Printed-circuit board connector



2713764

<https://www.phoenixcontact.com/us/products/2713764>

Technical Data

Product properties

Product type	PCB headers
Number of positions	4
Pitch	5 mm
Mounting flange	without
Pin layout	Linear pinning

Electrical properties

Rated voltage (II/2)	400 V
Rated voltage (III/2)	320 V
Rated surge voltage (II/2)	4 kV
Rated surge voltage (III/2)	4 kV
Rated surge voltage (III/3)	4 kV

Mounting

Mounting type	Soldering
Pin layout	Linear pinning

Material specifications

Color	light grey
Insulating material	PA
Contact surface material	Sn

Dimensions

Pitch	5 mm
-------	------

MSTBO 2,5/4-6 ST SET KMGY - Printed-circuit board connector

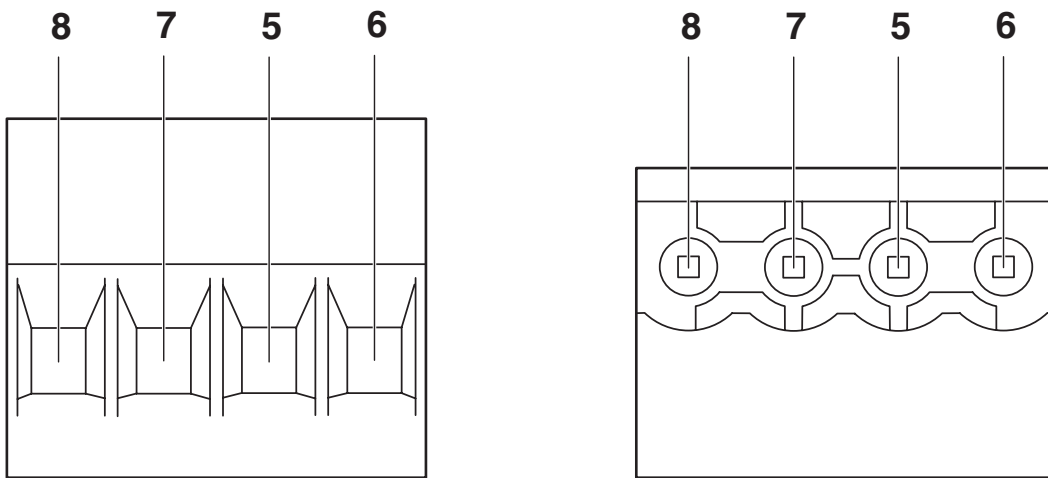


2713764

<https://www.phoenixcontact.com/us/products/2713764>

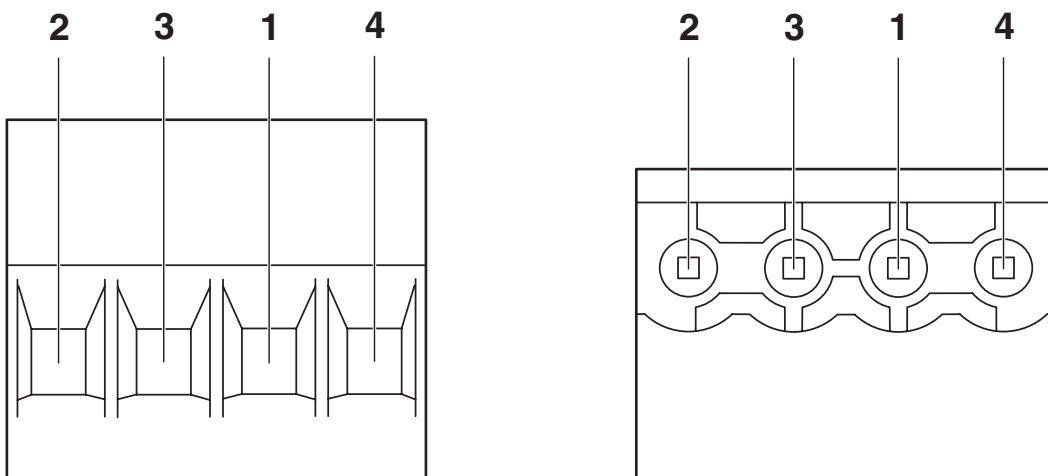
Drawings

Schematic diagram



Pin assignment right

Schematic diagram



Pin assignment left


MSTBO 2,5/4-6 ST SET KMGY - Printed-circuit board connector




2713764


<https://www.phoenixcontact.com/us/products/2713764>


Approvals

 CSA Approval ID: 13631				
	Nominal Voltage U_N	Nominal Current I_N	Cross Section AWG	Cross Section mm^2
Use group B	300 V	10 A	28 - 12	-
Use group D	300 V	10 A	28 - 12	-

 IECEE CB Scheme Approval ID: DE1-60988-B1B2				
	Nominal Voltage U_N	Nominal Current I_N	Cross Section AWG	Cross Section mm^2
	250 V	8 A	-	-

 EAC Approval ID: B.01687				
--	--	--	--	--

 cULus Recognized Approval ID: E60425-19931011				
	Nominal Voltage U_N	Nominal Current I_N	Cross Section AWG	Cross Section mm^2
Use group B	300 V	15 A	30 - 12	-
Use group D	300 V	10 A	30 - 12	-

 VDE Zeichengenehmigung Approval ID: 40050648				
	Nominal Voltage U_N	Nominal Current I_N	Cross Section AWG	Cross Section mm^2
	250 V	8 A	-	-

MSTBO 2,5/4-6 ST SET KMGY - Printed-circuit board connector



2713764

<https://www.phoenixcontact.com/us/products/2713764>

Classifications

ECLASS

ECLASS-9.0	27440402
ECLASS-10.0.1	27440402
ECLASS-11.0	27460201

ETIM

ETIM 8.0	EC002637
----------	----------

UNSPSC

UNSPSC 21.0	39121400
-------------	----------

MSTBO 2,5/4-6 ST SET KMGY - Printed-circuit board connector



2713764

<https://www.phoenixcontact.com/us/products/2713764>

Environmental Product Compliance

China RoHS

Environmentally Friendly Use Period = 50 years

For information on hazardous substances, refer to the manufacturer's declaration available under "Downloads"

MSTBO 2,5/4-6 ST SET KMGY - Printed-circuit board connector



2713764

<https://www.phoenixcontact.com/us/products/2713764>

Accessories

CR MSTBO-G1 - Coding section

2199618

<https://www.phoenixcontact.com/us/products/2199618>

Coding section, inserted into the recess in the header or the inverted plug, red insulating material



Phoenix Contact 2023 © - all rights reserved
<https://www.phoenixcontact.com>

Phoenix Contact USA
586 Fulling Mill Road
Middletown, PA 17057, United States
(+717) 944-1300
info@phoenixcon.com