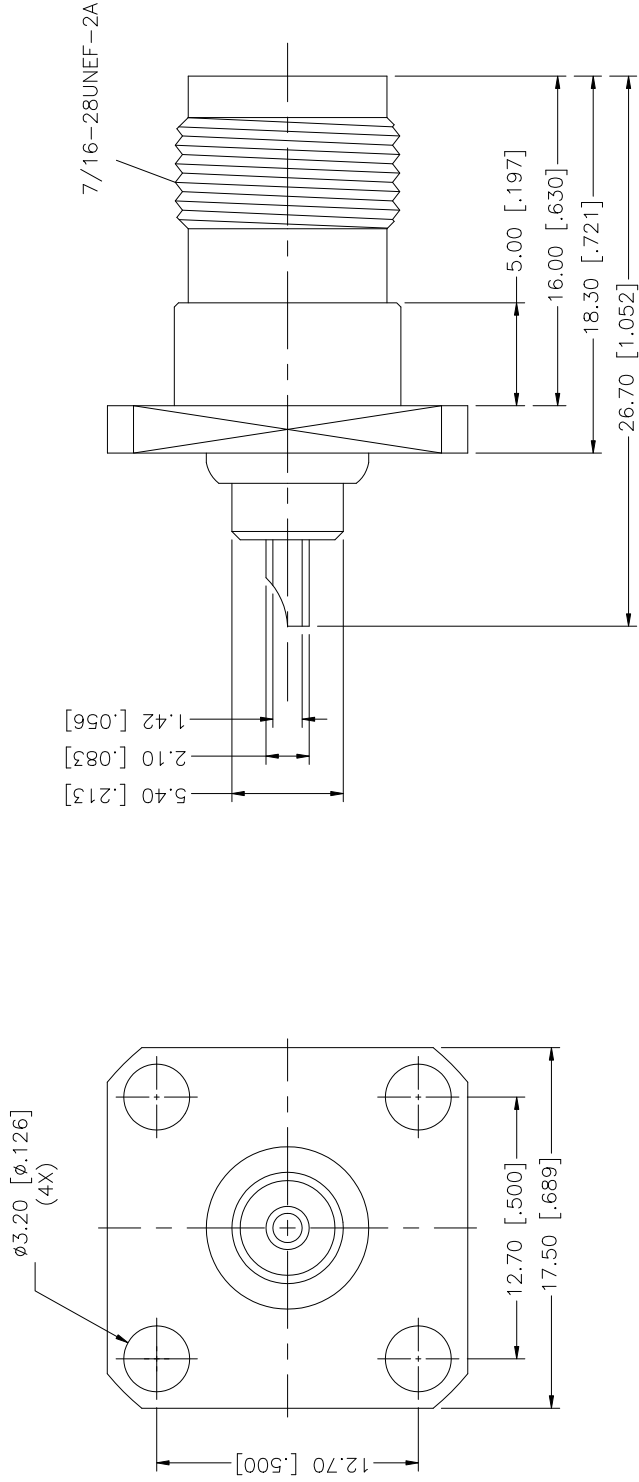


REV.	DATE	ECR NO.	DESCRIPTION
NC	10/28/01	-	INITIAL RELEASE
A	02/15/09	-	UPDATE DRAWING FORMAT



APPROVALS		DATE
DRAWN	GRS	02/15/09
CHECKED		
ISSUED		
SHEET	1 OF 1	
CAD FILE	C:/122/122248.DWG	
UNLESS OTHERWISE SPECIFIED DIMENSIONS ARE IN MILLIMETERS. DIMENSIONS IN [] ARE IN INCHES AND FOR CUSTOMER REFERENCE ONLY.		
UNLESS OTHERWISE SPECIFIED TOLERANCES FOR MILLIMETERS ARE:		
0.5 - 8mm ± 0.20mm		
8 - 30mm ± 0.40mm		
30 - 120mm ± 0.50mm		
UNLESS OTHERWISE SPECIFIED TOLERANCES FOR INCHES ARE:		
.020 - .315 = ± 0.007"		
.315 - 1.180 = ± 0.015"		
1.180 - 4.724 = ± 0.020"		
DO NOT SCALE DRAWING		
QTY	FINISH	DESCRIPTION
1	NICKEL	BRASS BODY
1	NICKEL	BRASS HOUSING
1	NATURAL	PTFE INSULATOR
1	GOLD	PHOS. BRONZE CONTACT PIN
<p>Amphenol Connex</p> <p>TNC PANEL JACK - 50 Ohms</p> <p>PART NO. 122248</p> <p>DWG. NO. 122248.DWG</p> <p>REV. A SIZE A SCALE NA</p>		