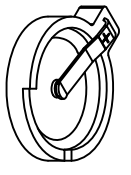
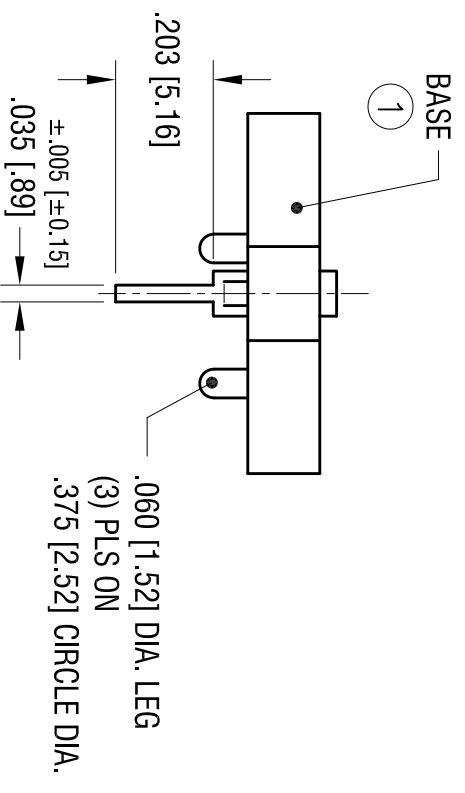
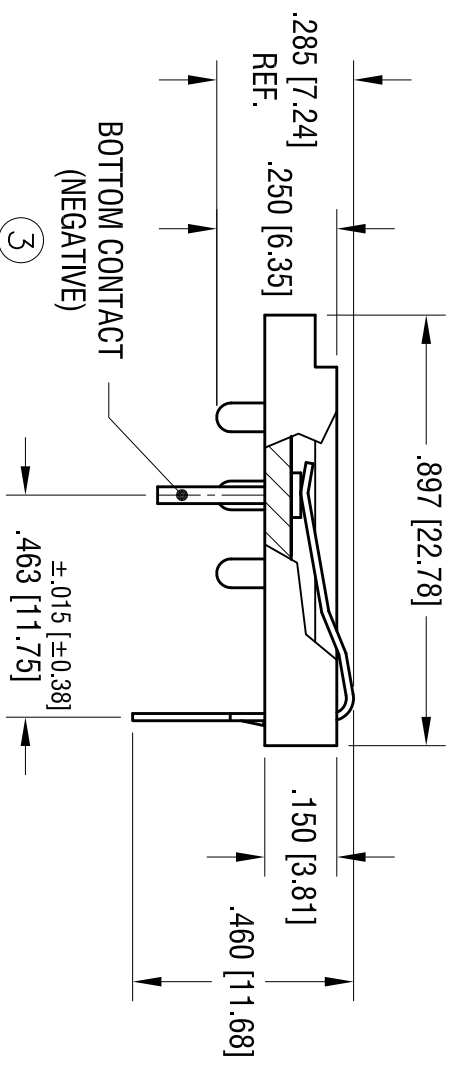
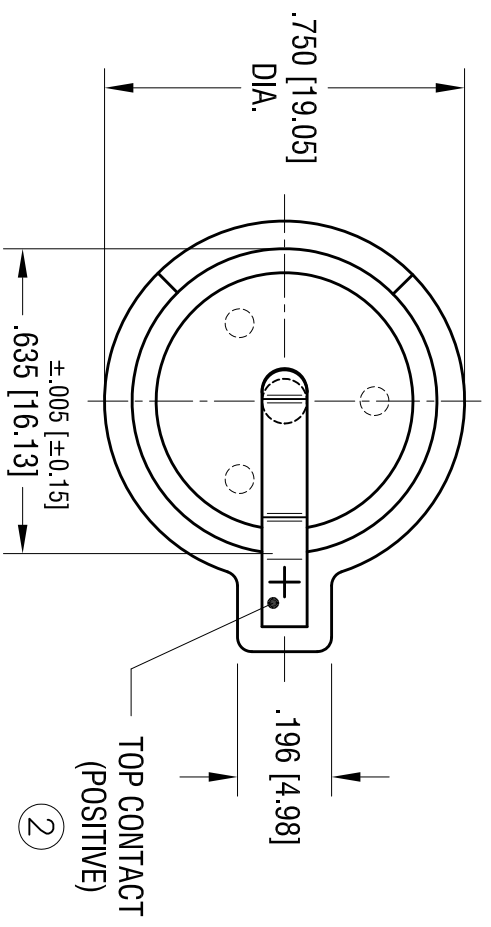
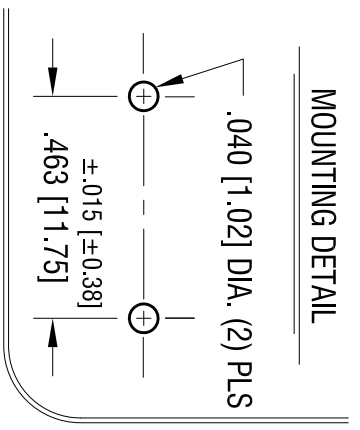


DATE	DESCRIPTION	REV.
2.9.05	CHANGE AS PER ECN 05-014	E
11.02.11	CHANGE AS PER ECN 11-143	F



ITEM	DESCRIPTION/MATERIAL	FINISH
①	BASE, BLACK PBT (UL 94V-0)	
②	TOP CONTACT .015 [0.38] THK SPRING STEEL	TIN NICKEL PLATE
③	BOTTOM CONTACT .035 [0.89] DIA. STEEL	TIN NICKEL PLATE

THIS DOCUMENT IS THE PROPERTY OF KEYSTONE ELECTRONICS CORP. AND SHALL NOT BE REPRODUCED, DISTRIBUTED OR USED AS A BASIS FOR MANUFACTURE WITHOUT PRIOR WRITTEN PERMISSION FROM KEYSTONE ELECTRONICS CORP.

KEYSTONE ELECTRONICS CORP.			
www.keystone.com • NEW HYDE PARK, NY 11040 • Tel (516) 328-7500			
PART NAME 16mm PC BATTERY HOLDER			
MATERIAL AS NOTED			
FINISH AS NOTED			
TOLERANCES	INCH	[MM]	CODE
DECIMAL	± .010	[± .025]	C
ANGULAR	± 1°		
UNLESS OTHERWISE SPECIFIED			
DRN BY	BOONE	DATE	1.4.91
APP'D	LN	SCALE	2.5X
DWG NO.		502	

Mouser Electronics

Authorized Distributor

Click to View Pricing, Inventory, Delivery & Lifecycle Information:

[Keystone Electronics:](#)

[502](#)