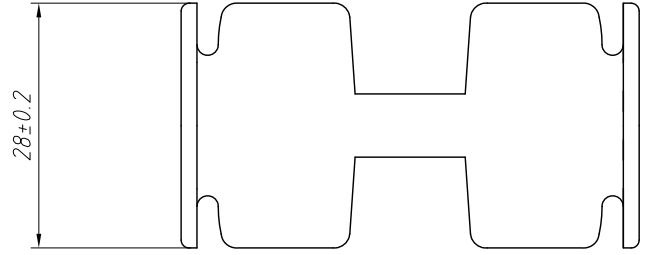
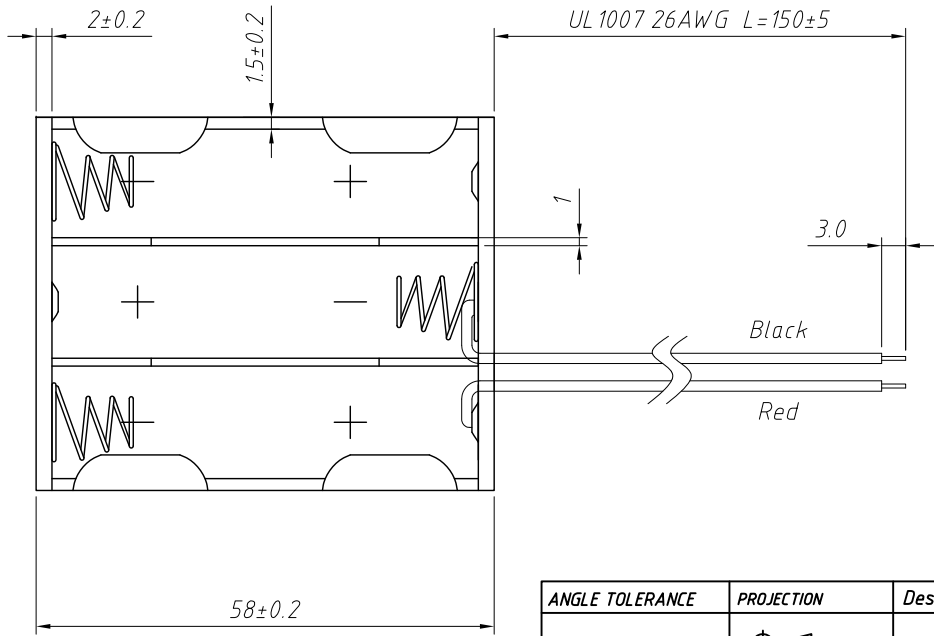
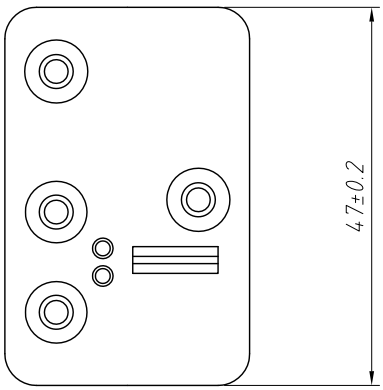


1
RoHS Compliance



- Material:
1. Housing:PP,ROHS
 2. Button:Copper
 3. Spring:72A Steel \varnothing 0.6,Nickel plating
 4. Rivet:Copper
 5. Soldering tin:Environmental friendly solder



Order Information:

L-KLS5-814-B

L: RoHS
Part Number
Cell Box Series
TYPE:
B:With Wire L=150mm

ANGLE TOLERANCE	PROJECTION	Description:	
$\pm 3^\circ$		6 x AA Battery Holder	
GENERAL TOLERANCE	UNITS	mm	KLS P/N:
x.x ± 0.30	SHEET SIZE	A4	L-KLS5-814-B
x.xx ± 0.20	Draw:	Daniel	2020-11-11
x.xxx ± 0.10	Check:	Daniel	2020-11-11

KLS
NingBo KLS ELECTRONIC CO.,L TD.