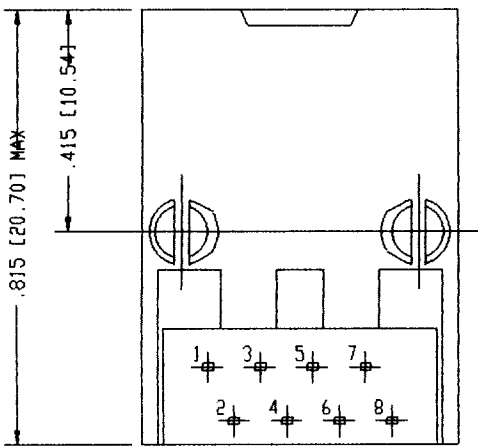
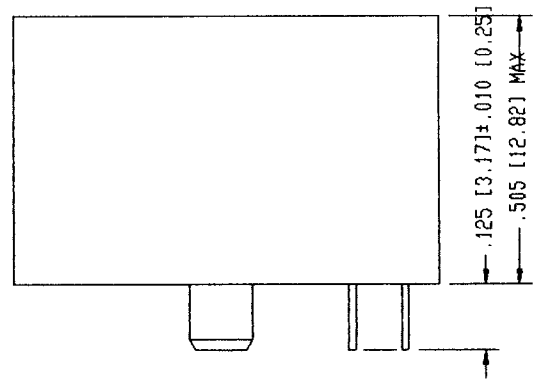
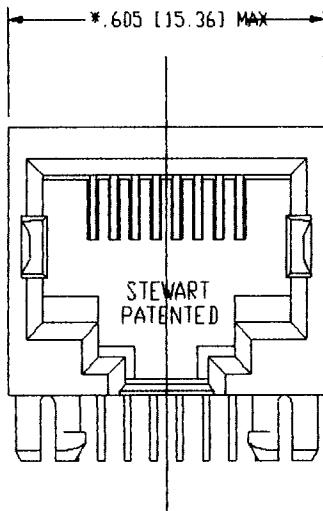


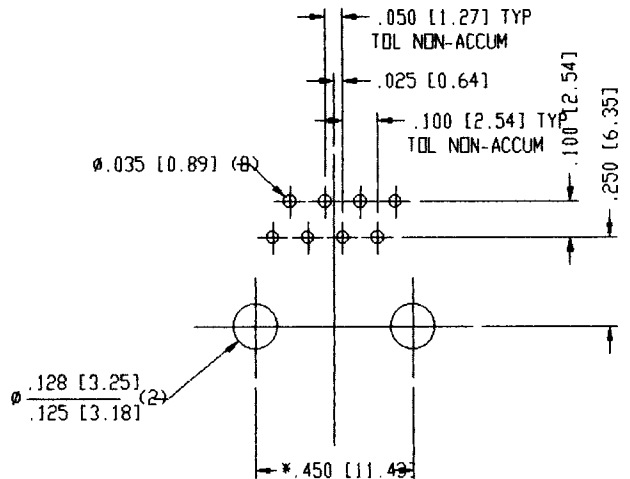
STEWART  
CONNECTOR  
SYSTEMS, INC.

R. D. 2, BOX 2020 GLEN ROCK, PENNSYLVANIA 17327

CAT 5 JACK  
PART NO.: SS-7188-NF  
EIGHT CONTACT, EIGHT POSITION JACK  
NF- NON-FLANGE



PIN POSITION LAYOUT IS  
IDENTICAL TO STANDARD JACKS



P.C.B. RECOMMENDED HOLE LAYOUT  
SEEN FROM COMPONENT SIDE  
TOLERANCE ±.003 [0.08] UNLESS OTHERWISE SPECIFIED

- NOTE:
- MEETS CATEGORY 5 PERFORMANCE SPECIFICATION AS TESTED PER TIA/EIA TSB40-A
  - TOLERANCE COMPLY WITH F.C.C. DIMENSION REQUIREMENTS ALL OTHERS ±.005 [0.13] UNLESS OTHERWISE SPECIFIED.
  - DIMENSIONS SHOWN WITH '\*' TO BE CENTRAL ABOUT CENTER LINE

- AVAILABLE WITH:
- 30 & 50 MICRON-INCH SELECTIVE GOLD PLATING
  - LOADED 1 - 8 CONTACTS