
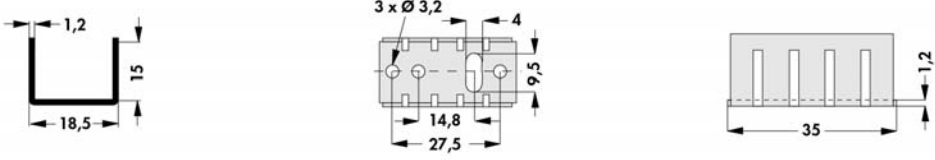



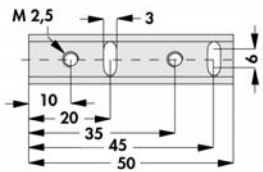


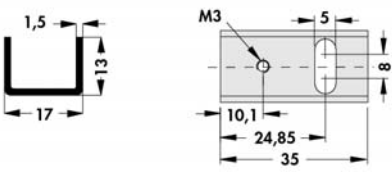
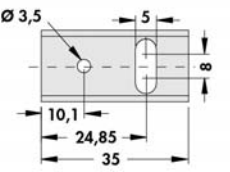
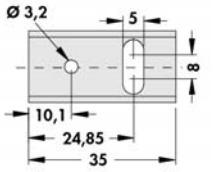


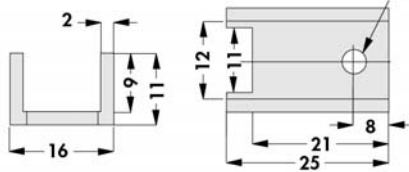
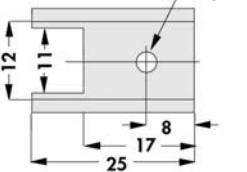
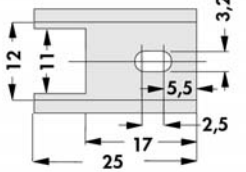



U-Extruded heatsinks

			
art. no.	R_{th} [K/W]		
ICK 35 SA	15	TO 220	
			
art. no.	R_{th} [K/W]		
SK 12 SA 2 x 32	15	2 x SOT 32	
SK 12 SA 32	30	1 x SOT 32	
			
art. no.	R_{th} [K/W]		
SK 13 35 SA 220	17	TO 220	
SK 13 35 SA 220 3,2	17	TO 220	
SK 13 35 SA 220 3,5	17	TO 220	
			
art. no.	R_{th} [K/W]		
SK 431-1	18	TO 220	
SK 431-2	18	TO 220	
SK 431-3	18	TO 220	

surface treatment: black anodised

Profiles for PCB components
Heatsink profile-overview
Heatsinks for PCB
Hole pattern

→ A 91
→ A 13 - 16
→ A 89
→ A 21

Profiles for PCB mounting
Technical introduction
Retaining springs for transistors
Extruded heatsinks

→ A 89 - 111
→ A 2 - 7
→ A 114 - 119
→ A 22 - 84

A 122

A

B

C

D

E

F

G

H

I

K

L

M

N