

PLEASE CHECK WWW.MOLEX.COM FOR LATEST PART INFORMATION

Part Number: **0190020016**
Status: **Active**
Overview: Standard Quick-Disconnect Terminals
Description: Avikrimp Fully Insulated Quick Disconnect, Female, for 18-22 AWG Wire, Box

Documents:

3D Model	Product Specification PS-19902-013-001 (PDF)
3D Model (PDF)	Product Specification PS-19902-014-001 (PDF)
Drawing (PDF)	RoHS Certificate of Compliance (PDF)
Product Specification PS-19902-011-001 (PDF)	

Agency Certification

CSA	LR18689
UL	E79133

General

Product Family	Quick Disconnects
Series	<u>19002</u>
Crimp Quality Equipment	Yes
Insulated	Fully
Overview	<u>Standard Quick-Disconnect Terminals</u>
Product Name	Avikrimp
Type	Quick Disconnect
UPC	800753027152

Physical

Barrel Type	Closed
Color - Resin	Red
Flammability	94V-2
Gender	Female
Glow-Wire Capable	No
Insulation	Nylon (PA)
Lock to Mating Part	None
Material - Metal	Brass
Material - Plating Mating	Tin
Material - Plating Termination	Tin
Net Weight	0.662/g
Orientation	Straight
Packaging Type	Bag
Plating min - Mating	4.064µm
Plating min - Termination	4.064µm
Polarized to Mating Part	No
Tab Thickness	0.81mm
Tab Width	2.79mm
Temperature Range - Operating	-65° to +105°C
Termination Interface: Style	Crimp or Compression
Wire Insulation Diameter	3.17mm max.
Wire Size AWG	18, 20, 22

Electrical

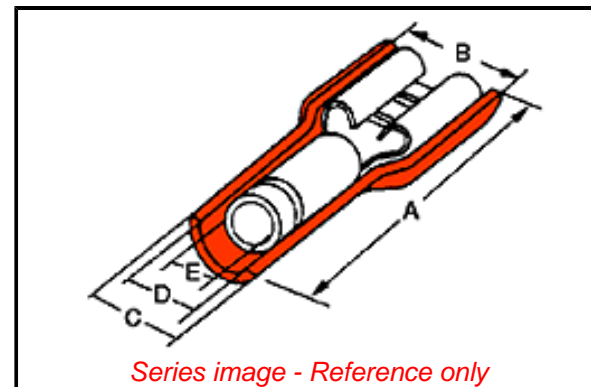
Voltage - Maximum	300V
-------------------	------

Solder Process Data

Lead-free Process Capability	N/A
------------------------------	-----

Material Info

Engineering Number	AA-5279
--------------------	---------



EU ELV

Not Relevant

EU RoHS

Compliant

REACH SVHC

Not Contained Per -
D(2020)9139-DC (19
Jan 2021)

Halogen-Free

Status

Low-Halogen

For more information, please visit [Contact US](#)

China ROHS

ELV

RoHS Phthalates

China RoHS

Green Image

Not Relevant

Not Contained

Search Parts in this Series

19002 Series

Application Tooling | FAQ

Tooling specifications and manuals are found by selecting the products below. Crimp Height Specifications are then contained in the Application Tooling Specification document.

Global

Description	Product #
PremiumGrade Hand Crimp Tool for Avikrimp Female Full Insulated Quick Disconnect Terminals, for 18-22 AWG with Insulation Diameter no greater than 3.175mm MAX	<u>640010800</u>
Crimp Head for the AT-200 Pneumatic Hand Tool	<u>640050800</u>

Reference - Drawing Numbers

Product Specification

PS-19902-011-001, PS-19902-013-001,

PS-19902-014-001

Sales Drawing

SD-19002-003-001

This document was generated on 02/22/2021

PLEASE CHECK WWW.MOLEX.COM FOR LATEST PART INFORMATION