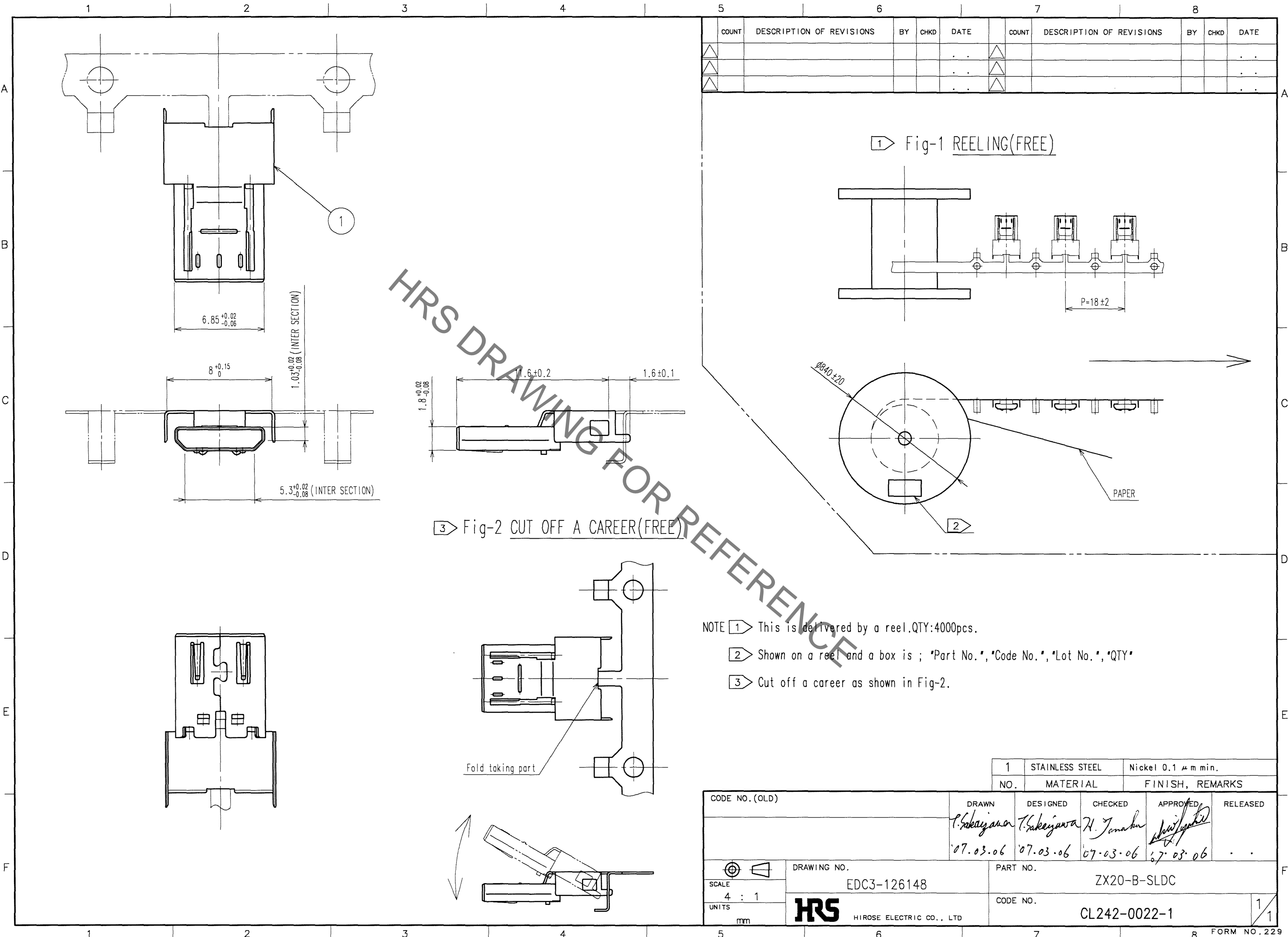


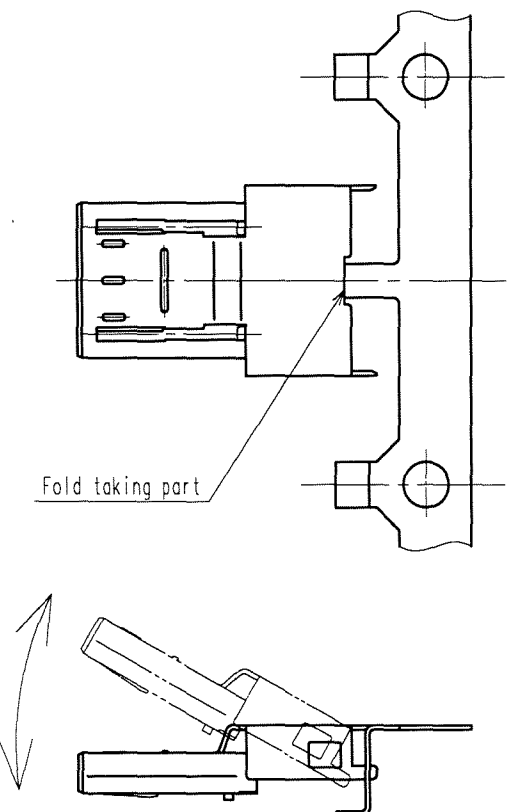
Dec.1.2021 Copyright 2021 HIROSE ELECTRIC CO., LTD. All Rights Reserved.
In case of consideration for using Automotive equipment / device which demand high reliability, kindly contact our sales window correspondents.



COUNT	DESCRIPTION OF REVISIONS	BY	CHKD	DATE	COUNT	DESCRIPTION OF REVISIONS	BY	CHKD	DATE
△				..	△				..
△				..	△				..
△				..	△				..

HRS DRAWING FOR REFERENCE

- NOTE
- 1 This is delivered by a reel.QTY:4000pcs.
 - 2 Shown on a reel and a box is ; "Part No.", "Code No.", "Lot No.", "QTY"
 - 3 Cut off a career as shown in Fig-2.



1	STAINLESS STEEL	Nickel 0.1 μm min.
NO.	MATERIAL	FINISH, REMARKS

CODE NO. (OLD)	DRAWN	DESIGNED	CHECKED	APPROVED	RELEASED
	<i>P. Sakajawa</i>	<i>P. Sakajawa</i>	<i>H. Tanaka</i>	<i>[Signature]</i>	..
	07.03.06	07.03.06	07.03.06	07.03.06	..
DRAWING NO.	PART NO.				
EDC3-126148	ZX20-B-SLDC				
SCALE	CODE NO.				
4 : 1	CL242-0022-1				
UNITS	HRS HIROSE ELECTRIC CO., LTD				
mm					

TO

Mouser Electronics

Authorized Distributor

Click to View Pricing, Inventory, Delivery & Lifecycle Information:

[Hirose Electric:](#)

[ZX20-B-SLDC](#)