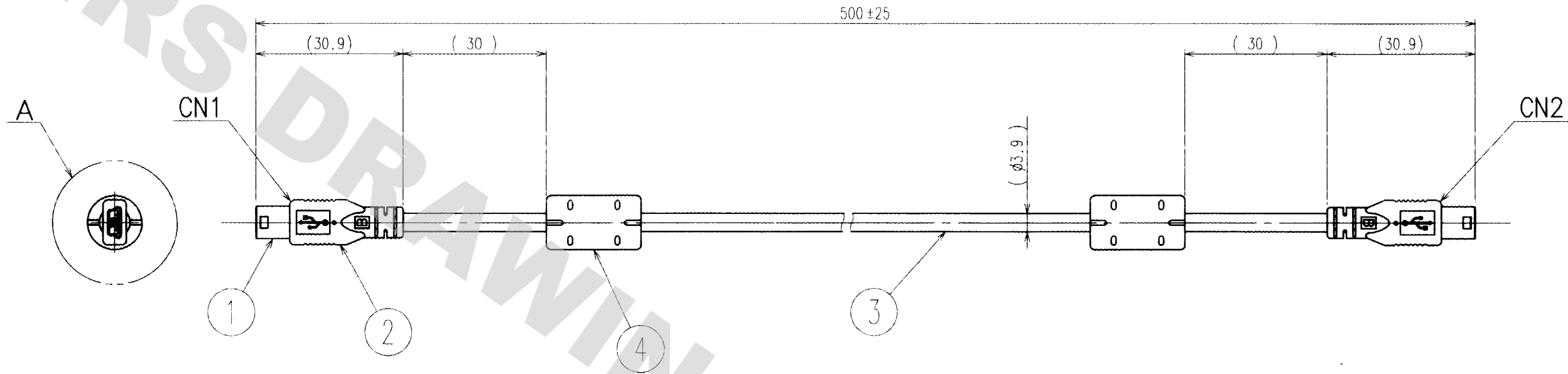


5					6					7					8				
COUNT	DESCRIPTION OF REVISIONS				BY	CHKD	DATE	COUNT	DESCRIPTION OF REVISIONS				BY	CHKD	DATE				
△							..	△							..				
△							..	△							..				
△							..	△							..				



A(4:1)

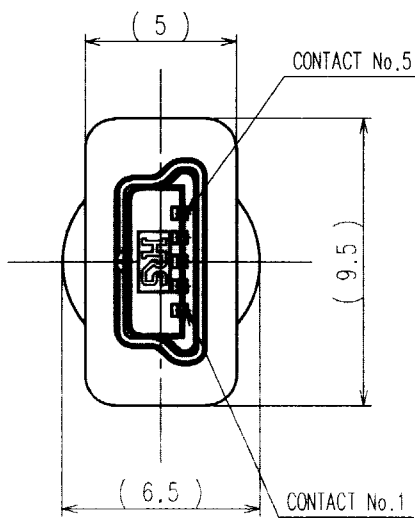


TABLE-1 WIRING DIAGRAM

CN1 CONTACT No.	1	2	3	4	5
CN2 CONTACT No.	1	2	3	4	5

CN1,2 CONTACT No.	1	2	3	4	5	SHELL
SIGNAL	Vcc	DATA -	DATA +	NON WIRERING	GND	BRAIDED WIRE + DRAIN WIRE
WIRING COLOR	RED	WHITE	GREEN		BLACK	

DRAWING FOR REFERENCE: This is subject to change without notice
08/11/2012

- NOTES
- 1 REFER TO TABLE-1 FOR WIRING OF CN1 AND CN2.
 - 2 THIS PRODUCT IS USING THE CABLE MADE FROM LTK ELECTRIC WIRE LTD, AND Q-USB-156D (USB2.0 1P×AWG28, 2C×AWG28).
 - 3 THIS PRODUCT IS USING THE FERRITE CORE MADE FROM URITE CORPORATION, AND F18 RH 9×15×5.

2	PVC	BLACK	4	FERRITE CORE	3	BLACK
1	CONNECTOR	UX40-MB-5P	3	INTERFACE CABLE	2	BLACK
NO.	MATERIAL	FINISH, REMARKS	NO.	MATERIAL	FINISH, REMARKS	
CODE NO. (OLD)			DRAWN	DESIGNED	CHECKED	APPROVED
			<i>N. Yamaoka</i>	<i>N. Yamaoka</i>	<i>M. Nakamura</i>	<i>[Signature]</i>
			03.8.7	03.7.7	03.8.7	03.7.7
DRAWING NO. EDC3-123640			PART NO. UX40-MB-5PP-500-1002			
SCALE 1:1			CODE NO. CL240-1002-7			
UNITS HRS			HIROSE ELECTRIC CO., LTD			

TO
Q1

Mouser Electronics

Authorized Distributor

Click to View Pricing, Inventory, Delivery & Lifecycle Information:

[Hirose Electric:](#)

[UX40-MB-5PP-500-1002](#)