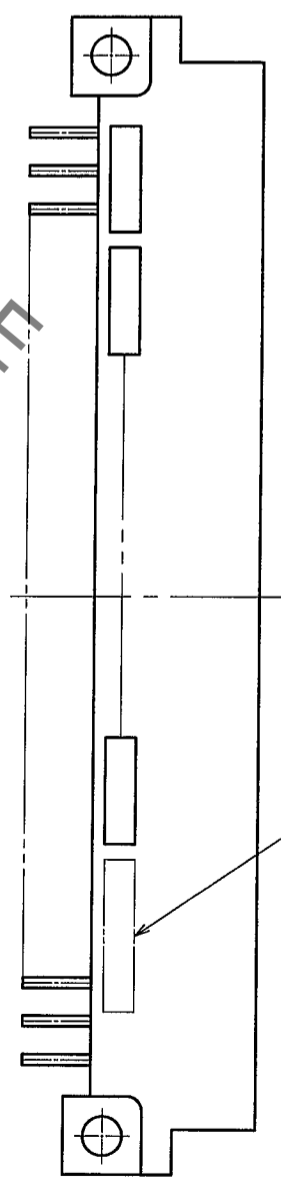
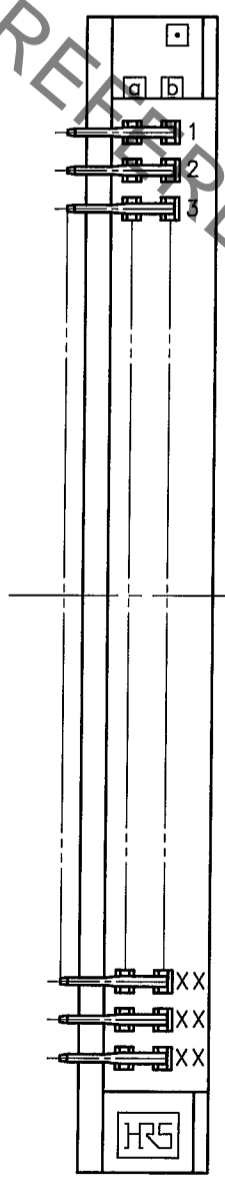
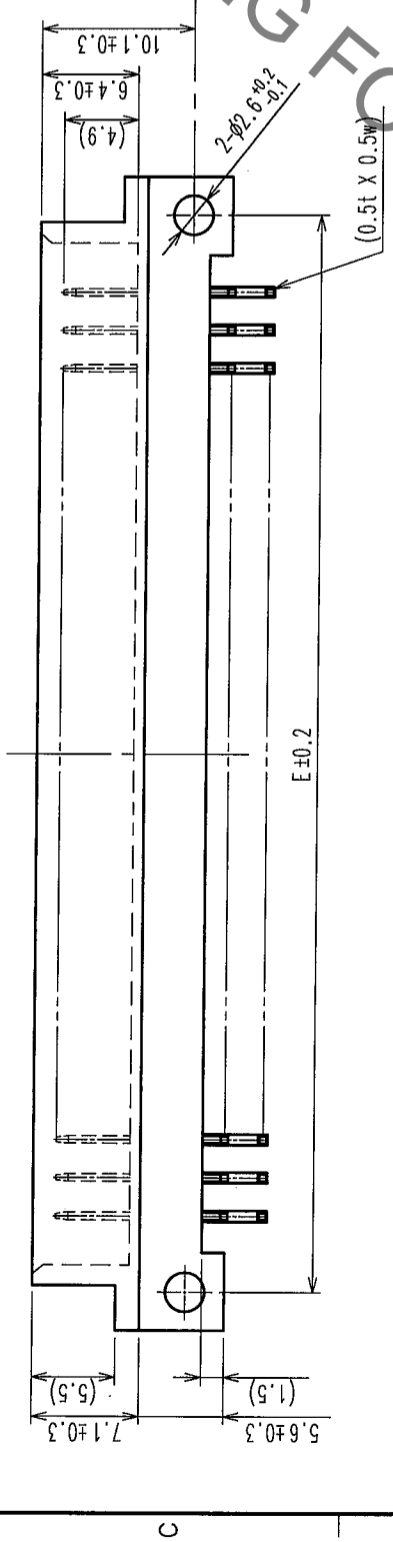
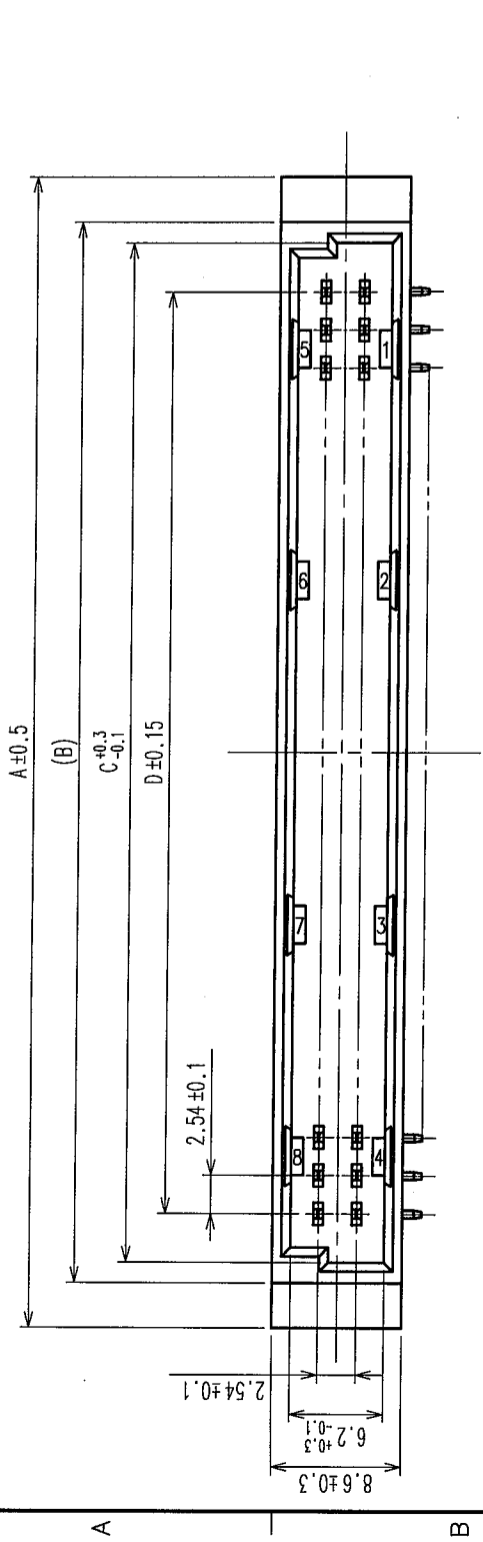
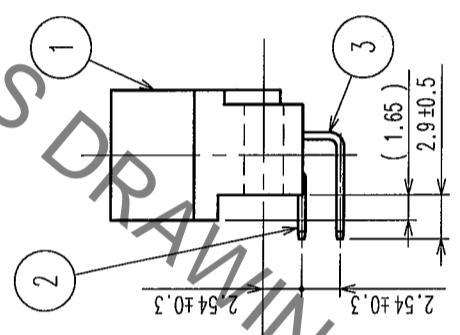
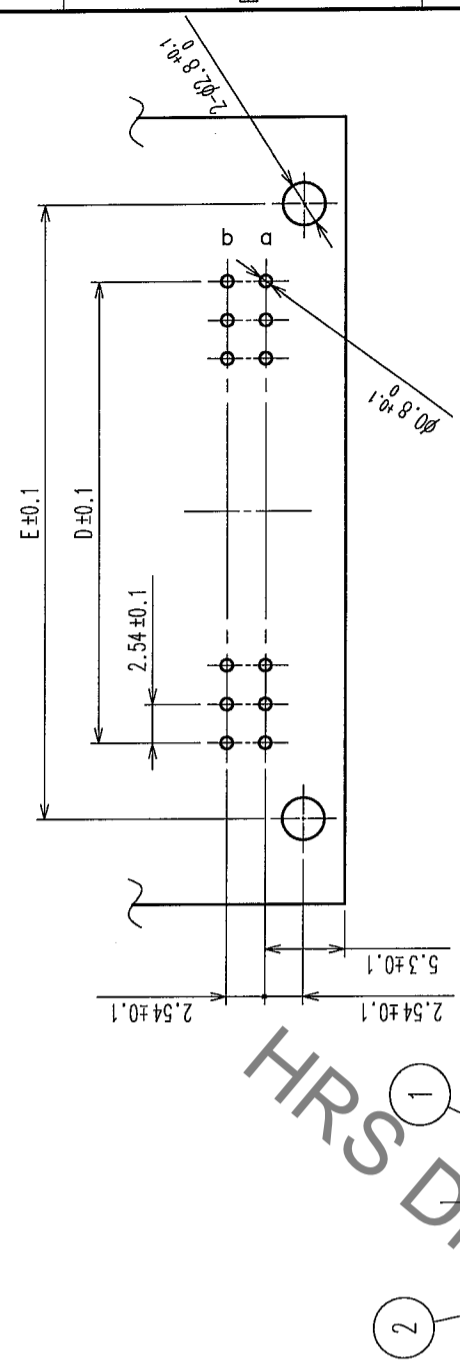


COUNT	DESCRIPTION OF REVISIONS	BY	CHKD	DATE	COUNT	DESCRIPTION OF REVISIONS	BY	CHKD	DATE
△					△				
△					△				
△					△				

RECOMMENDED P.C.B HOLE PATTERN (t=1.6±0.1)



LOT NO. MARKING

HRS No.	PART NO.	NUMBER OF CONTACT	A	B	C	D	E
583-0230-9-72	PCN10-16P-2.54DS(72)	16	33.04	27.04	24.39	17.78	27.94
583-0077-3-72	PCN10-20P-2.54DS(72)	20	38.12	32.12	29.47	22.86	33.02
583-0015-6-72	PCN10-32P-2.54DS(72)	32	53.36	47.36	44.71	38.10	48.26
583-0038-1-72	PCN10-44P-2.54DS(72)	44	68.60	62.60	59.95	53.34	63.50
583-0016-9-72	PCN10-50P-2.54DS(72)	50	76.22	70.22	67.57	60.96	71.12
583-0017-1-72	PCN10-64P-2.54DS(72)	64	94.00	88.00	85.35	78.74	88.90
583-0018-4-72	PCN10-90P-2.54DS(72)	90	127.02	121.02	118.37	111.76	121.92
583-0113-5-72	PCN10-100P-2.54DS(72)	100	139.72	133.72	131.07	124.46	134.62

NOTE 1. AS FOR AUG, 2005.
 2. THE DIMENSION IN PARENTHESIS IS FOR REFERENCE.

2, 3	BRASS	CONTACT AREA: Ni2.5μm+Au0.2μm
1	PBT	MOUNTING AREA: Ni2.5μm+Sn2μm
NO.		GRAY, UL94V-0

CODE NO. (OLD)	CL	DRAWN	M. OGAWA	DESIGNED	H. SAITOU	CHECKED	A. Yamada	APPROVED	K. Hayama	REMARKS	RELEASED
DATE	05.08.29	DATE	05.08.29	DATE	05.08.29	DATE	05.08.30	DATE	05.08.30		

DRAWING NO.	EDC3-154140-01	PART NO.	PCN10-*P-2.54DS(72)
SCALE	2:1	CODE NO.	CL583
UNITS	mm		

HRS HIROSE ELECTRIC CO., LTD.

Mouser Electronics

Authorized Distributor

Click to View Pricing, Inventory, Delivery & Lifecycle Information:

[Hirose Electric:](#)

[PCN10-50P-2.54DS\(72\)](#)