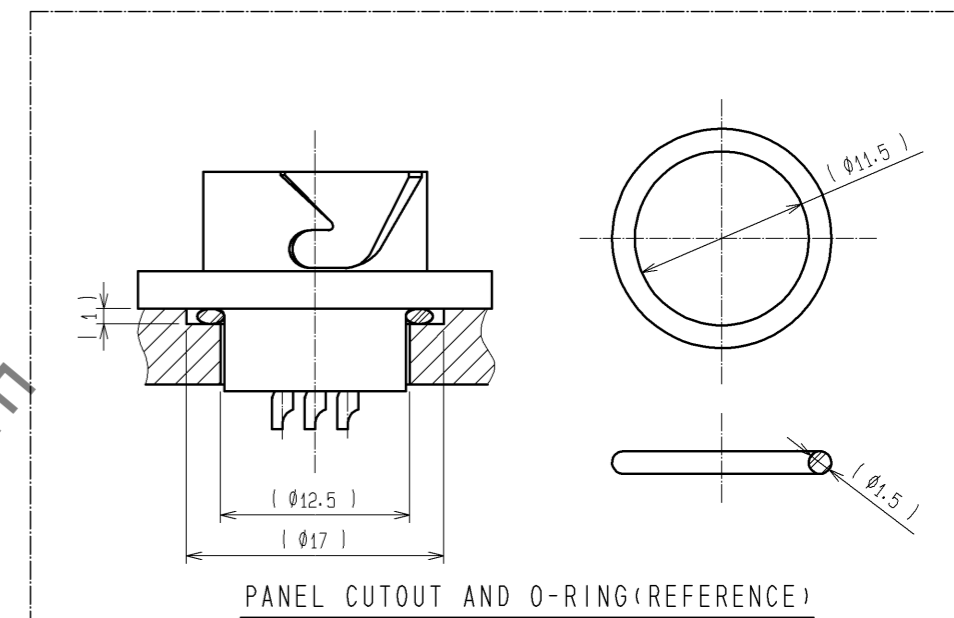
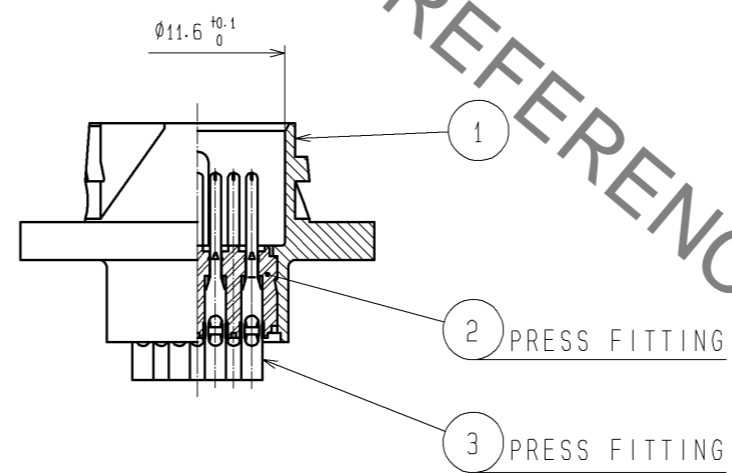
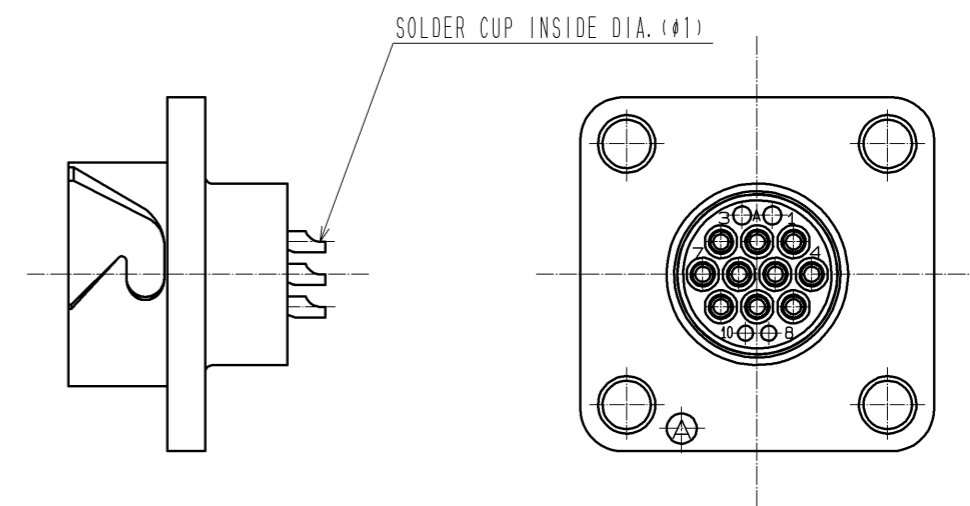
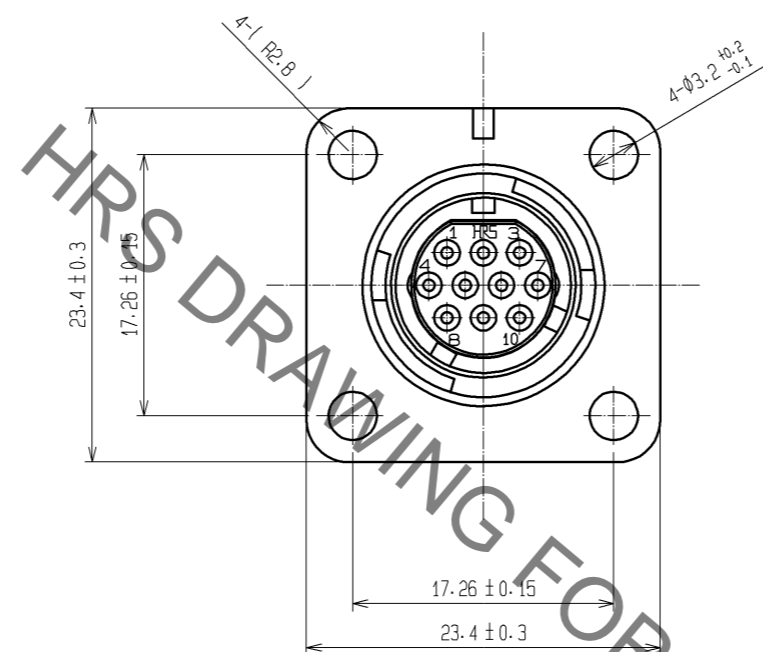
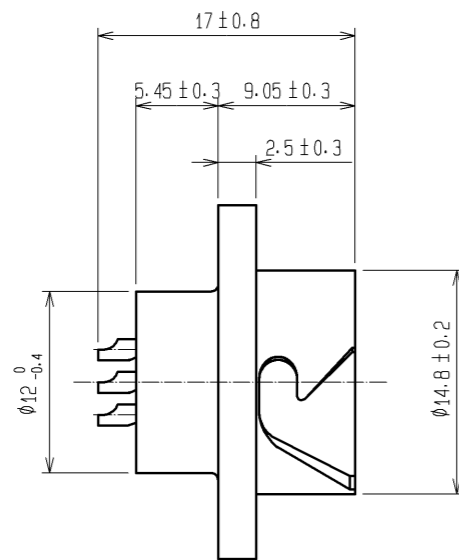


Jan.1.2022 Copyright 2022 HIROSE ELECTRIC CO., LTD. All Rights Reserved.
In case of consideration for using Automotive equipment / device which demand high reliability, kindly contact our sales window correspondents.



NOTES 1 CONTACT AREA:GOLD PLATING 0.2µm min.
TERMINAL AREA:GOLD FLASH.
UNDER PLATING:NICKEL 2µm min.
2 CHECK THAT THE O-RING IS PROPERLY SET AT THE GROOVE OF THE DEVICE.
WHILE MOUNTING THE CONNECTOR,MAKE SURE THAT THE O-RING IS NOT CAUGHT.

2	POLYPHENYLENE SULFIDE (BLACK) UL94V-0							
1	ZINC ALLOY	BLACK CHROMATE TREATMENT(Cr3)	3	COPPER ALLOY				
NO.	MATERIAL	FINISH . REMARKS	NO.	MATERIAL	FINISH . REMARKS			
UNITS	mm	SCALE	2 : 1	COUNT	DESCRIPTION OF REVISIONS	DESIGNED	CHECKED	DATE
APPROVED : MO. SATOH		07. 04. 05	DRAWING NO.		EDC3-114744-00			
CHECKED : MO. SATOH		07. 04. 05	PART NO.		HR34B-12WRA-10P			
DESIGNED : DS. MATSUNE		07. 04. 05	CODE NO.		CL134-0016-6-00			
DRAWN : MK. SATO		07. 03. 30						

Mouser Electronics

Authorized Distributor

Click to View Pricing, Inventory, Delivery & Lifecycle Information:

[Hirose Electric:](#)

[HR34B-12WRA-10P](#)