

## MAX31180

## Spread-Spectrum Crystal Multiplier

### General Description

The MAX31180 is a low-jitter, crystal-based clock generator with an integrated phase-locked loop (PLL) to generate spread-spectrum clock outputs from 16MHz to 134MHz. The device is pin-programmable to select the clock multiplier rate as well as the dither magnitude. The MAX31180 has a spread-spectrum disable mode and a power-down mode to conserve power.

### Applications

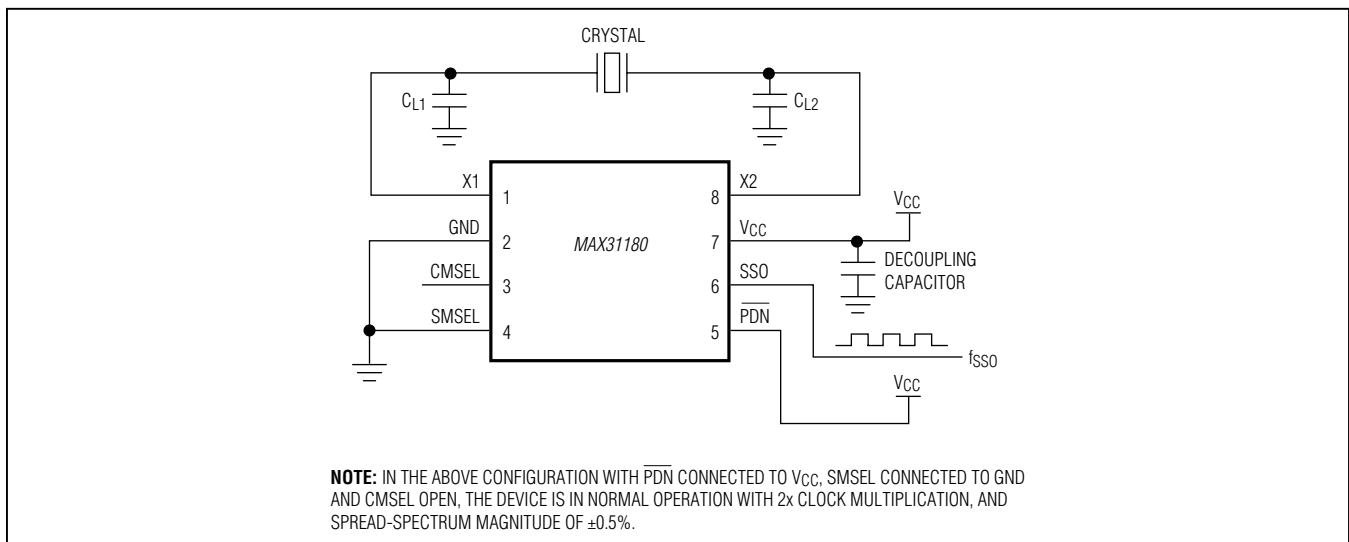
- Automotive
- Cable Modems
- Cell Phones
- Computer Peripherals
- Copiers
- Infotainment
- PCs
- Printers

**Ordering Information** appears at end of data sheet.

### Features

- Generates Spread-Spectrum Clocks from 16MHz to 134MHz
- Selectable Clock Multiplier Rates of 1x, 2x, and 4x
- Center Spread-Spectrum Dithering
- Selectable Spread-Spectrum Modulation Magnitudes of  $\pm 0.5\%$ ,  $\pm 1.0\%$ , and  $\pm 1.5\%$
- Spread-Spectrum Disable Mode
- Low Cycle-to-Cycle Jitter
- Power-Down Mode with High-Impedance Output
- Low Power Consumption
- 3.0V to 3.6V Single-Supply Operation
- $-40^{\circ}\text{C}$  to  $+125^{\circ}\text{C}$  Operating Temperature Range
- Small 8-Pin  $\mu\text{SOP}$  Package
- AEC-Q100 Qualified (MAX31180AUA/V+ Only)

### Typical Operating Circuit



### Absolute Maximum Ratings

(Voltages relative to GND.)		Operating Temperature Range .....	-40°C to +125°C
Voltage Range on V <sub>CC</sub> .....	-0.3V to +4.3V	Storage Temperature Range.....	-55°C to +125°C
Voltage Range on Any Pin .....	-0.3V to (V <sub>CC</sub> + 0.3V), not to exceed +4.3V	Lead Temperature (soldering, 10s) .....	+300°C
Continuous Power Dissipation (T <sub>A</sub> = +70°C)		Soldering Temperature (reflow) .....	+260°C
μSOP (derate 4.5mW/°C above +70°C).....	362mW		

Stresses beyond those listed under “Absolute Maximum Ratings” may cause permanent damage to the device. These are stress ratings only, and functional operation of the device at these or any other conditions beyond those indicated in the operational sections of the specifications is not implied. Exposure to absolute maximum rating conditions for extended periods may affect device reliability.

### Package Information

#### μSOP-8

PACKAGE CODE	U8+1
Outline Number	<a href="#">21-0036</a>
Land Pattern Number	<a href="#">90-0092</a>
<b>Thermal Resistance, Single-Layer Board:</b>	
Junction to Ambient (θ <sub>JA</sub> )	221°C/W
Junction to Case (θ <sub>JC</sub> )	42°C/W
<b>Thermal Resistance, Four-Layer Board:</b>	
Junction to Ambient (θ <sub>JA</sub> )	206.30/W
Junction to Case (θ <sub>JC</sub> )	42°C/W

For the latest package outline information and land patterns (footprints), go to [www.maximintegrated.com/packages](http://www.maximintegrated.com/packages). Note that a “+”, “#”, or “-” in the package code indicates RoHS status only. Package drawings may show a different suffix character, but the drawing pertains to the package regardless of RoHS status.

Package thermal resistances were obtained using the method described in JEDEC specification JESD51-7, using a four-layer board. For detailed information on package thermal considerations, refer to [www.maximintegrated.com/thermal-tutorial](http://www.maximintegrated.com/thermal-tutorial).

## Recommended Operating Conditions

( $T_A = -40^\circ\text{C}$  to  $+125^\circ\text{C}$ , unless otherwise noted.)

PARAMETER	SYMBOL	CONDITIONS	MIN	TYP	MAX	UNITS
Supply Voltage	$V_{CC}$	(Note 1)	3.0		3.6	V
Input Logic 1	$V_{IH}$		$0.8 \times V_{CC}$		$V_{CC} + 0.3$	V
Input Logic 0	$V_{IL}$		$V_{GND} - 0.3$		$0.2 \times V_{CC}$	V
Input Logic Open	$I_{IF}$	$0V < V_{IN} < V_{CC}$ (Note 2)			Q1	FA
Input Leakage	$I_{IL}$	$0V < V_{IN} < V_{CC}$ (Note 3)			Q80	FA
SSO Load	$C_{SSO}$	$f_{SSO} < 67\text{MHz}$			15	pF
		$67\text{MHz P } f_{SSO} < 101\text{MHz}$			10	
		$101\text{MHz P } f_{SSO} < 134\text{MHz}$			7	
Crystal or Clock Input Frequency	$f_{IN}$		16.0		33.4	MHz
Crystal ESR	$X_{ESR}$				90	l
Clock Input Duty Cycle	$F_{INDC}$		40		60	%
Crystal Parallel Load Capacitance	$C_L$	(Note 4)			18	pF

## DC Electrical Characteristics

( $V_{CC} = +3.0V$  to  $+3.6V$ ,  $T_A = -40^\circ\text{C}$  to  $+125^\circ\text{C}$ , unless otherwise noted.)

PARAMETER	SYMBOL	CONDITIONS	MIN	TYP	MAX	UNITS
Supply Current	$I_{CC1}$	$C_{SSO} = 15\text{pF}$ , $f_{SSO} = 16\text{MHz}$			15	mA
Power-Down Current	$I_{CCQ}$	$\overline{\text{PDN}} = \text{GND}$ , all input pins open			200	$\mu\text{A}$
Output Leakage (SSO)	$I_{OZ}$	$\overline{\text{PDN}} = \text{GND}$	-1		+1	$\mu\text{A}$
Low-Level Output Voltage (SSO)	$V_{OL}$	$I_{OL} = 4\text{mA}$			0.4	V
High-Level Output Voltage (SSO)	$V_{OH}$	$I_{OH} = -4\text{mA}$	2.4			V
Input Capacitance (X1/X2)	$C_{IN}$	(Note 5)		5		pF

## AC Electrical Characteristics

( $V_{CC} = +3.0$  to  $+3.6V$ ,  $T_A = -40^\circ C$  to  $+125^\circ C$ , unless otherwise noted.)

PARAMETER	SYMBOL	CONDITIONS	MIN	TYP	MAX	UNITS
SSO Duty Cycle	SSODC	Measured at $V_{CC}/2$ , CMSEL = 0 or open	40		60	%
		Measured at $V_{CC}/2$ , CMSEL = 1	30		70	
Rise Time	$t_R$	(Note 6)		1.6		ns
Fall Time	$t_F$	(Note 6)		1.6		ns
Peak Cycle-to-Cycle Jitter	$t_J$	$f_{SSO} = 16MHz$ , $T_A = -40$ to $+85^\circ C$ , 10,000 cycles (Note 5)		75		ps
Power-Up Time	$t_{POR}$	$\overline{PDN}$ pin (Note 7)			11	ms
Power-Down Time	$t_{\overline{PDN}}$	$\overline{PDN}$ pin (Note 8)			100	ns
Dither Rate	$f_{DITHER}$	(Note 9)		$f_{IN}/992$		

**Note 1:** All voltages referenced to ground.

**Note 2:** Maximum source/sink current applied to input to be considered an open. Typical voltage range between  $0.4 \times V_{CC}$  and  $0.55 \times V_{CC}$ .

**Note 3:** Applicable to pins CMSEL, SMSEL, and  $\overline{PDN}$ .

**Note 4:** See information about  $C_{L1}$  and  $C_{L2}$  in the [Applications Information](#) section at the end of the data sheet.

**Note 5:** Not production tested.

**Note 6:** For 7pF load.

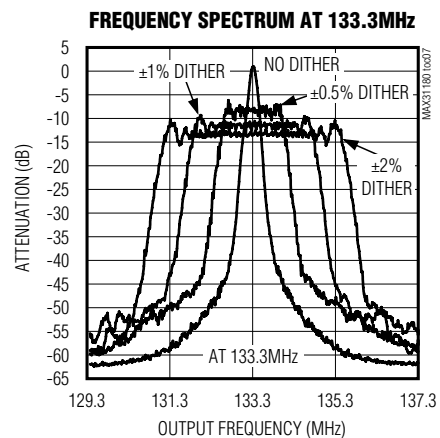
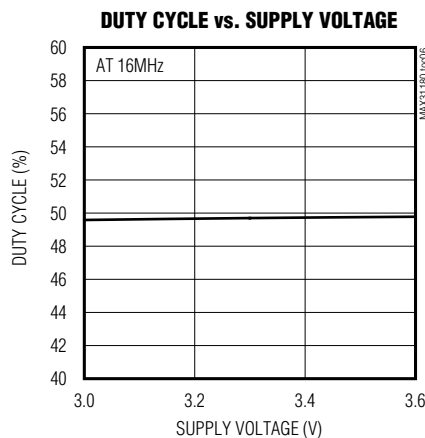
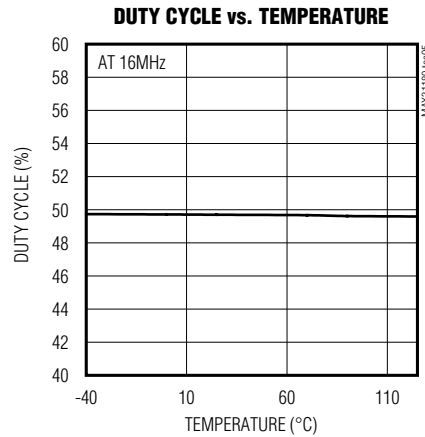
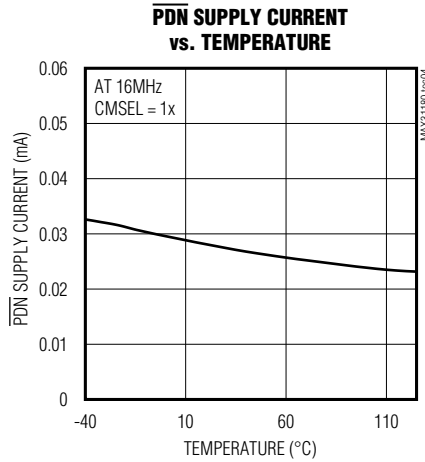
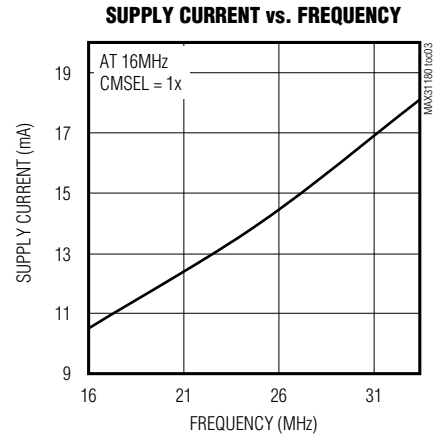
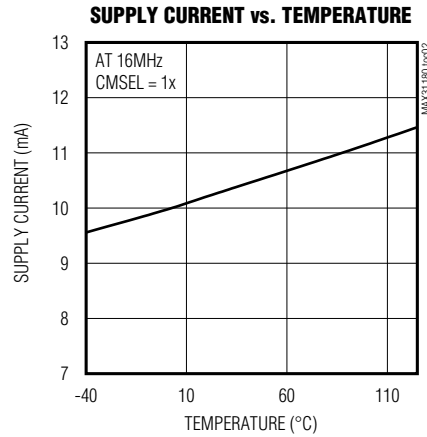
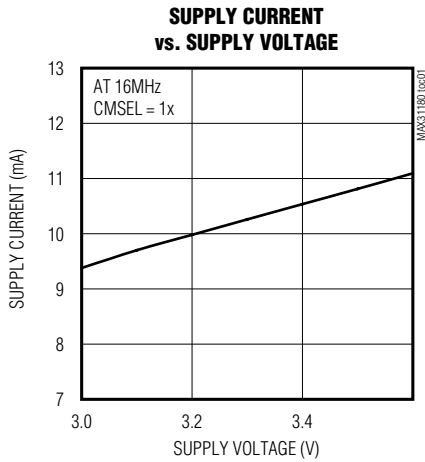
**Note 7:** Time between  $\overline{PDN}$  deasserted to output active.

**Note 8:** Time between  $\overline{PDN}$  asserted to output high impedance.

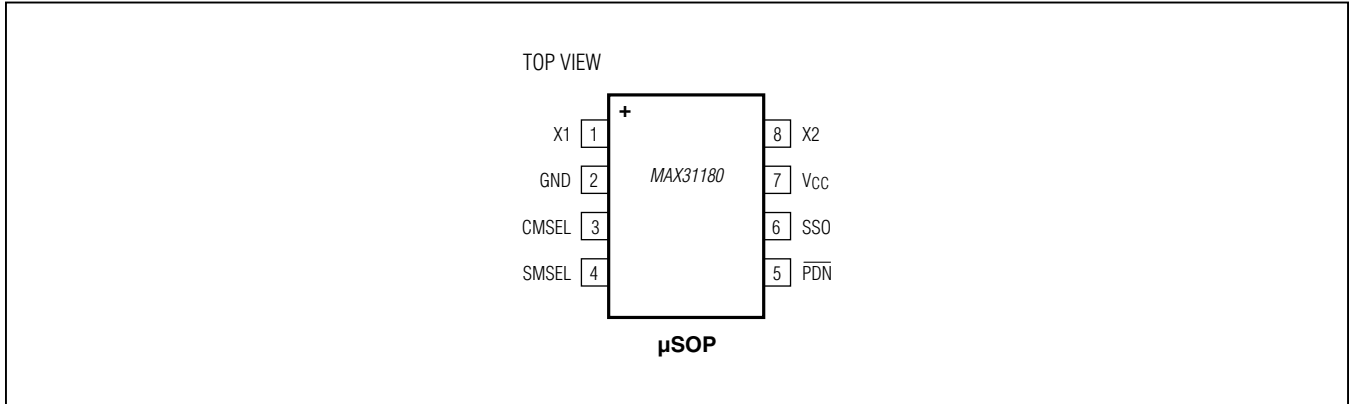
**Note 9:** Guaranteed by design.

Typical Operating Characteristics

(V<sub>CC</sub> = 3.3V, T<sub>A</sub> = +25°C, unless otherwise noted.)



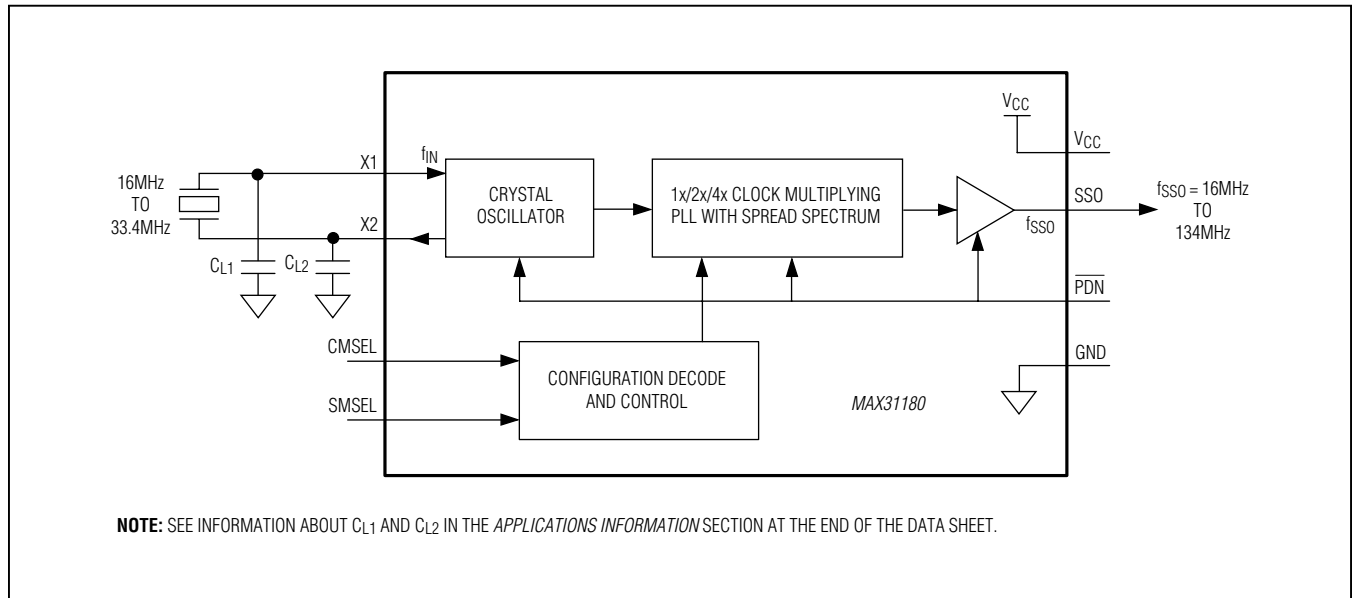
Pin Configuration



Pin Description

PIN	NAME	FUNCTION
1	X1	Crystal Drive/Clock Input. A crystal with the proper loading capacitors is connected across X1 and X2. Instead of a crystal, a clock can be applied at the X1 input.
2	GND	Signal Ground
3	CMSEL	Clock Multiplier Select. Tri-level digital input. 0 = 1x Open = 2x 1 = 4x
4	SMSEL	Spread-Spectrum Magnitude Select. Tri-level digital input. 0 = ±0.5% Open = ±1.0% 1 = ±1.5%
5	$\overline{\text{PDN}}$	Active-Low Power-Down/Spread-Spectrum Disable. Tri-level digital input. 0 = Power-Down/SSO Three-States Open = Power-Up/Spread Spectrum Disabled 1 = Power-Up/Spread Spectrum Enabled
6	SSO	Spread-Spectrum Clock Multiplier Output. Outputs a 1x, 2x, or 4x spread-spectrum version of the crystal or clock applied at the X1/X2 pins.
7	V <sub>CC</sub>	Supply Voltage
8	X2	Crystal Drive Output. A crystal with the proper loading capacitors is connected across X1 and X2. If a clock is connected to X1, then X2 should be left open circuit.

## Block Diagram



## Detailed Description

The MAX31180 is a crystal multiplier with center spread-spectrum capability. A 16MHz to 33.4MHz crystal is connected to the X1 and X2 pins. Alternately, a 16MHz to 33.4MHz clock can be applied to X1 in place of the crystal. In such applications, X2 would be left open circuit. Using the CMSEL input, the user selects whether the attached crystal or input clock is multiplied by 1, 2, or 4. The MAX31180 is capable of generating spread-spectrum clocks from 16MHz to 134MHz.

The PLL can dither the output clock about its center frequency at a user-selectable magnitude. Using the SMSEL input, the user selects the dither magnitude. The PDN input can be used to place the device into a low-power standby mode where the SSO output is three-stated. If the PDN pin is open, the SSO output is active but the spread-spectrum dithering is disabled. The spread-

spectrum dither rate is fixed at  $f_{IN}/992$  to keep the dither rate above the audio frequency range. On power-up, the output clock (SSO) remains three-stated until the PLL reaches a stable frequency ( $f_{SSO}$ ) and dither ( $f_{DITHER}$ ).

## Applications Information

### Crystal Selection

The MAX31180 requires a parallel resonating crystal operating in the fundamental mode, with an ESR of less than  $90\Omega$ . The crystal should be placed very close to the device to minimize excessive loading due to parasitic capacitances.

### Oscillator Input

When driving the MAX31180 using an external oscillator clock, consider the input (X1) to be high impedance.

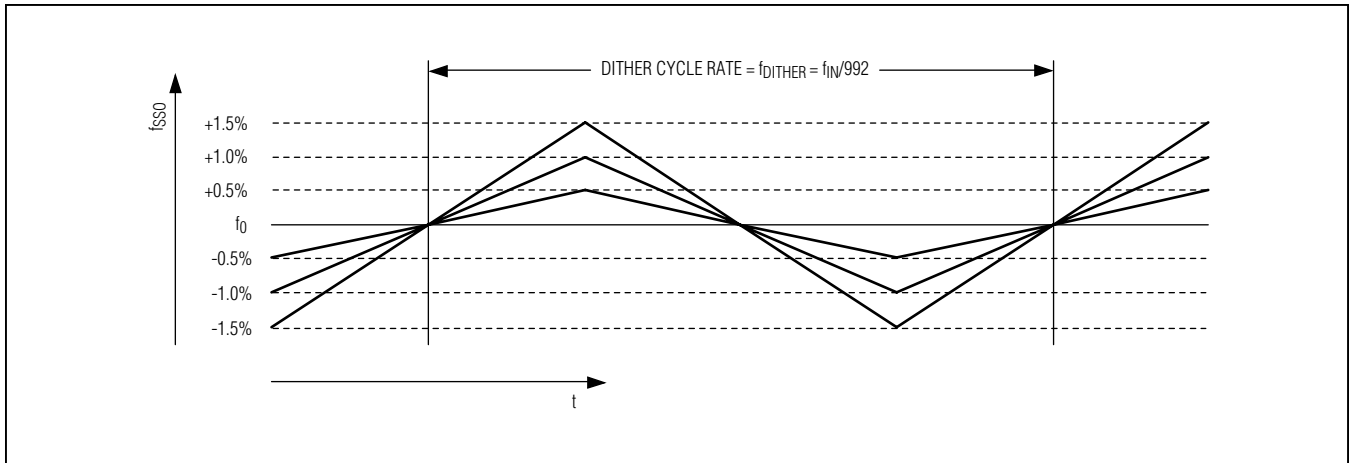


Figure 1. Spread-Spectrum Frequency Modulation

**Crystal Capacitor Selection**

The load capacitors  $C_{L1}$  and  $C_{L2}$  are selected based on the crystal specifications (from the data sheet of the crystal used). The crystal parallel load capacitance is calculated as follows:

$$C_L = \frac{C_{L1} \times C_{L2}}{C_{L1} + C_{L2}} + C_{IN} \quad \text{Equation 1}$$

For the MAX31180 use  $C_{L1} = C_{L2} = C_{LX}$ .  
In this case, the equation then reduces to:

$$C_L = \frac{C_{LX}}{2} + C_{IN} \quad \text{Equation 2}$$

where  $C_{L1} = C_{L2} = C_{LX}$ .

Equation 2 is used to calculate the values of  $C_{L1}$  and  $C_{L2}$  based on values on  $C_L$  and  $C_{IN}$  noted in the [Recommended Operating Conditions](#) and [DC Electrical Characteristics](#).

**Power-Supply Decoupling**

To achieve best results, it is highly recommended that a decoupling capacitor is used on the IC power-supply pins. Typical values of decoupling capacitors are 0.001 $\mu$ F and 0.1 $\mu$ F. Use a high-quality, ceramic, surface-mount capacitor, and mount it as close as possible to the  $V_{CC}$  and GND pins of the IC to minimize lead inductance.

**Layout Considerations**

As noted earlier, the crystal should be placed very close to the device to minimize excessive loading due to parasitic capacitances. Care should also be taken to minimize loading on pins that could be open as a programming option (SMSEL and CMSEL). Coupling on inputs due to clocks should be minimized.

**Ordering Information**

PART	TEMP RANGE	PIN-PACKAGE
MAX31180AUA+	-40°C to +125°C	8 $\mu$ SOP
MAX31180AUA+T	-40°C to +125°C	8 $\mu$ SOP
MAX31180AUA/V+	-40°C to +125°C	8 $\mu$ SOP
MAX31180AUA/V+T	-40°C to +125°C	8 $\mu$ SOP

+Denotes a lead(Pb)-free/RoHS-compliant package.

T = Tape and reel.

V denotes an automotive qualified part.



## Revision History

REVISION NUMBER	REVISION DATE	DESCRIPTION	PAGES CHANGED
0	12/12	Initial release	—
1	3/13	Added automotive qualified parts to <i>Ordering Information</i>	8
2	9/17	Added AEC-Q100 qualification statement to <i>Benefits and Features</i> section	1
3	2/19	Updated <i>Package Information</i> section	2

For pricing, delivery, and ordering information, please visit Maxim Integrated's online storefront at <https://www.maximintegrated.com/en/storefront/storefront.html>.

Maxim Integrated cannot assume responsibility for use of any circuitry other than circuitry entirely embodied in a Maxim Integrated product. No circuit patent licenses are implied. Maxim Integrated reserves the right to change the circuitry and specifications without notice at any time. The parametric values (min and max limits) shown in the Electrical Characteristics table are guaranteed. Other parametric values quoted in this data sheet are provided for guidance.

# Mouser Electronics

Authorized Distributor

Click to View Pricing, Inventory, Delivery & Lifecycle Information:

[Maxim Integrated:](#)

[MAX31180AUA/V+](#) [MAX31180AUA+T](#) [MAX31180AUA/V+T](#) [MAX31180AUA+](#)