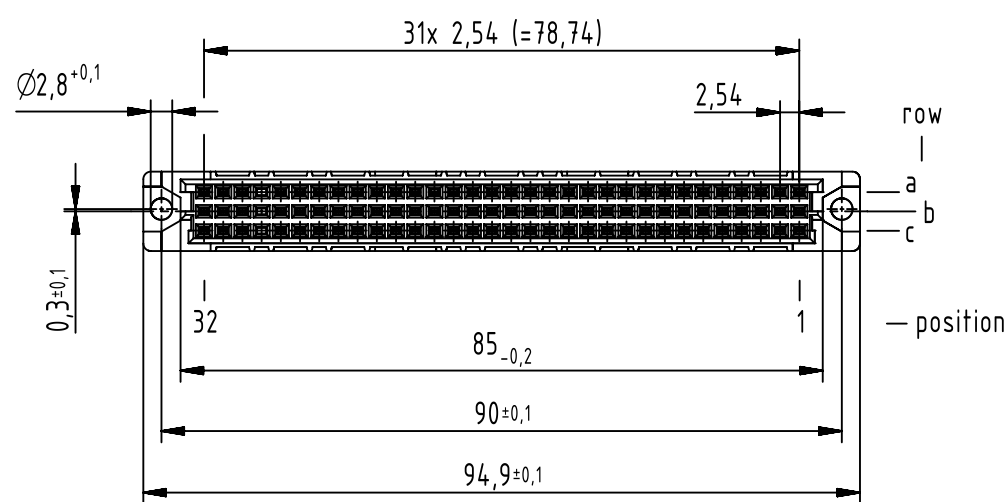
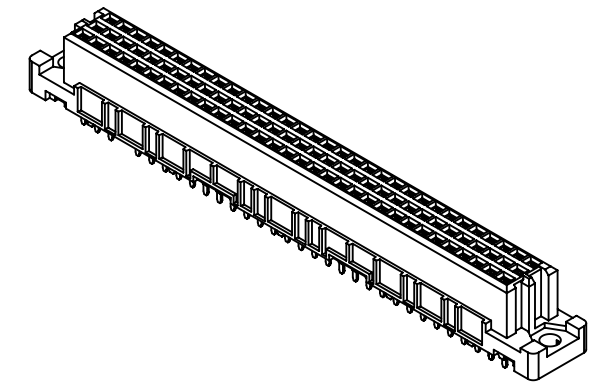
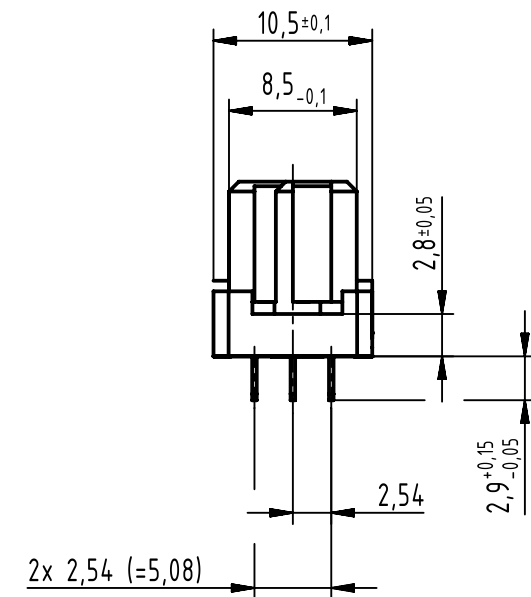
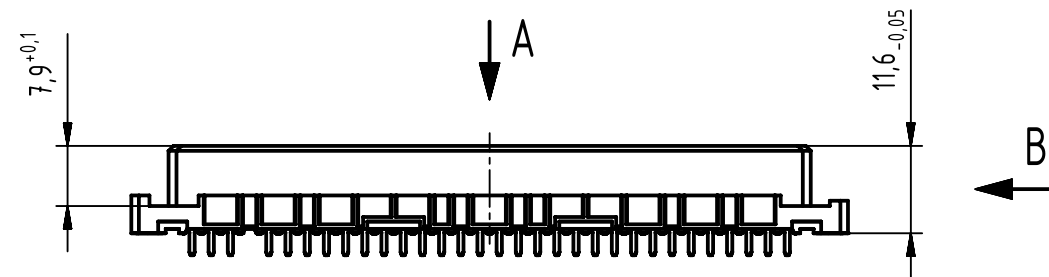


- 93 solder contacts
- ☒ = solder contact
- = kinked solder contact
- = position without contact



09 03 293 6834	2
part no.	performance level 1

1 further information see: DS 09032100001

	All Dimensions in mm Original Size DIN A3	Scale 1:1	Free size tol. IEC 60603-2	Ref. Sub.
	All rights reserved Department EC PD - DE	Created by HAGEMEYERE	Inspected by TADJE	Standardisation HOFFMANN
HARTING Electronics GmbH D-32339 Espelkamp	Title DIN Signal type C female solder 2.9 93-pole			Doc-Key / ECM-Nr. 100173852/UGD/260/A 50000067551
	Type TB	Number 0903293X834	Rev. A	Page 1/1