

# Ceramic Trap Filters Chrominance Carrier

**XT MJ for Chrominance Carrier ( Murata TPS MJ Series Compatible ) - 3.58 MHz ~ 6.5 MHz (XT MJ)**

## ▶ Preview

XT MJ Series are band reject device used for video and sound IF attenuation. The 2 terminal XT MJ Series can be used to attenuate either the sound signal in B/W receivers or the chroma signal in video.

### Filter Features :

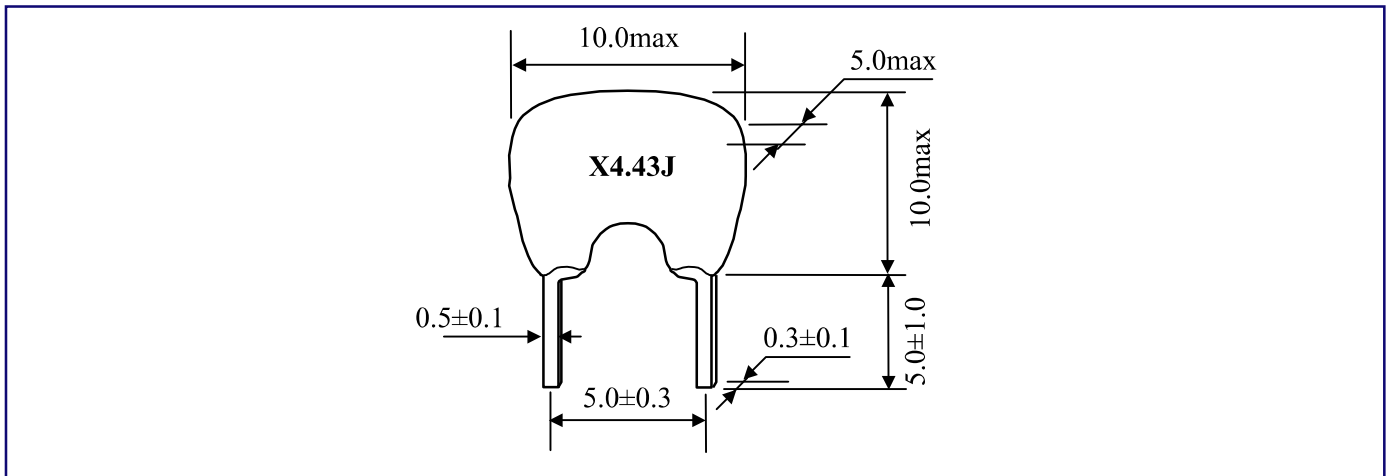
1. RoHS Compliant.
2. TV SIF stage use.
3. Low insertion loss.
4. Wide bandwidth Ceramic Trap.
5. Excellent spurious suppression characteristics.



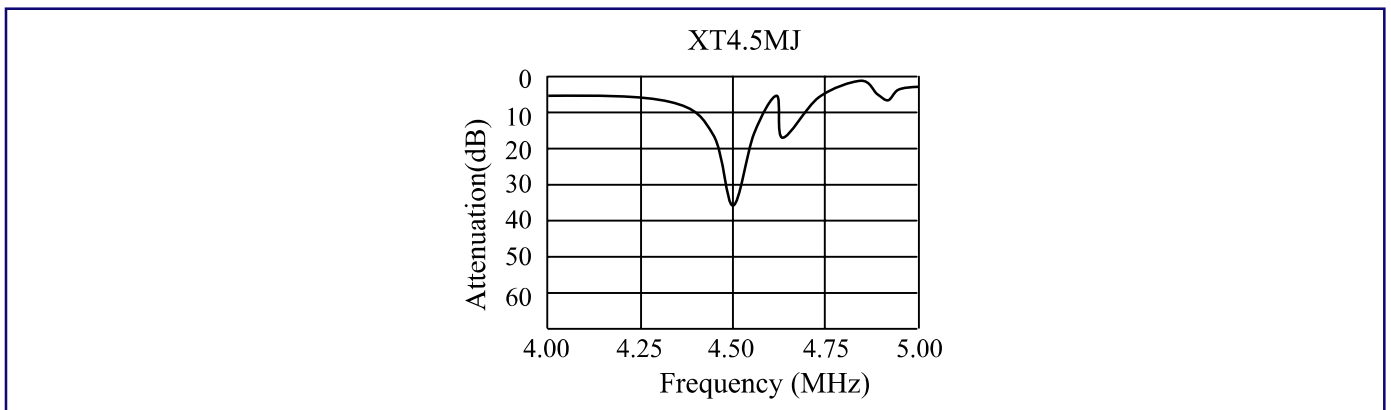
### XTMJ Trap Filter Quick Selection :

1. Dimensions (Unit: mm): 10.0 max x 10.0 max x 5.0 max.
2. XT3.58MJ Cener Frequency  $f_0$ :3.58MHz; 20db min @ $f_0$ ; 20(kHz)min@20dB Att BW
3. XT4.43MJ Cener Frequency  $f_0$ :4.43MHz; 20db min @ $f_0$ ; 40(kHz)min@20dB Att BW
4. XT4.5MJ Cener Frequency  $f_0$ :4.5MHz; 20db min @ $f_0$ ; 40(kHz)min@20dB Att BW
5. XT5.74MJ Cener Frequency  $f_0$ :5.74MHz; 20db min @ $f_0$ ; 40(kHz)min@20dB Att BW
6. XT5.5MJ Cener Frequency  $f_0$ :5.5MHz; 20db min @ $f_0$ ; 40(kHz)min@20dB Att BW
7. XT6.0MJ Cener Frequency  $f_0$ :6.0MHz; 20db min @ $f_0$ ; 40(kHz)min@20dB Att BW
8. XT6.5MJ Cener Frequency  $f_0$ :6.5MHz. 20db min @ $f_0$ ; 40(kHz)min@20dB Att BW

## ► Dimensions



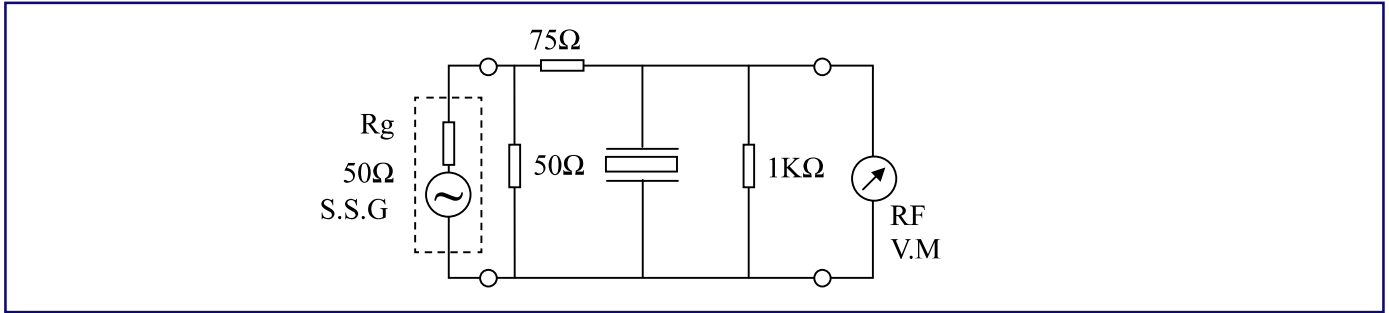
## ► Characteristics



Part Number	Center Frequency (fo1)(MHz)	Attenuation (at fo1)(dB)min	20dB Attenuation BW (fo1)(kHz)min
XT3.58MJ	3.580	20	20
XT4.43MJ	4.430	20	40
XT4.5MJ	4.500	20	40
XT5.5MJ	5.500	20	40
XT5.74MJ	5.742	20	40
XT6.0MJ	6.000	20	40
XT6.5MJ	6.500	20	40

Note : The level at 1MHz shall be made for a reference (0dB).

## ► Characteristics



## ► How to Order

XT3.58MJ

❶

❶ Part Number

P

❷

❷ Package

*Back to 1st Page - Ceramic Trap Filters for Chrominance Carrier (XT MJ)*