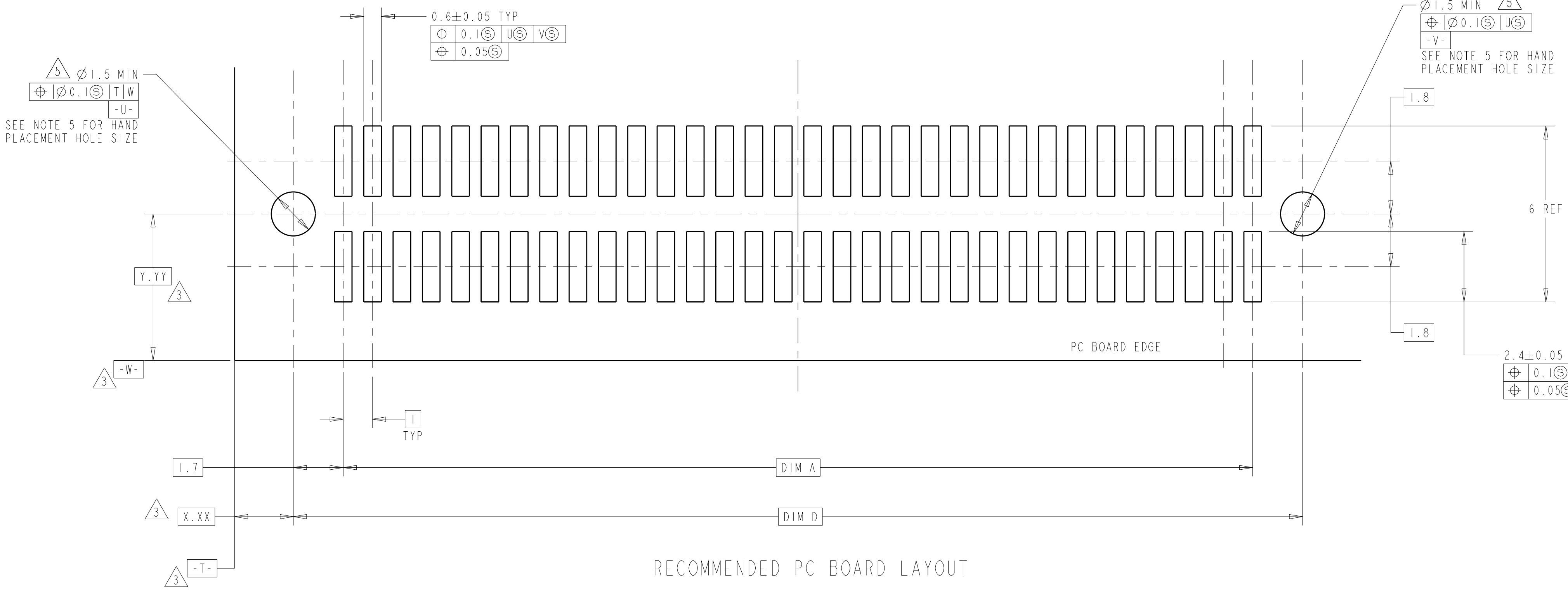
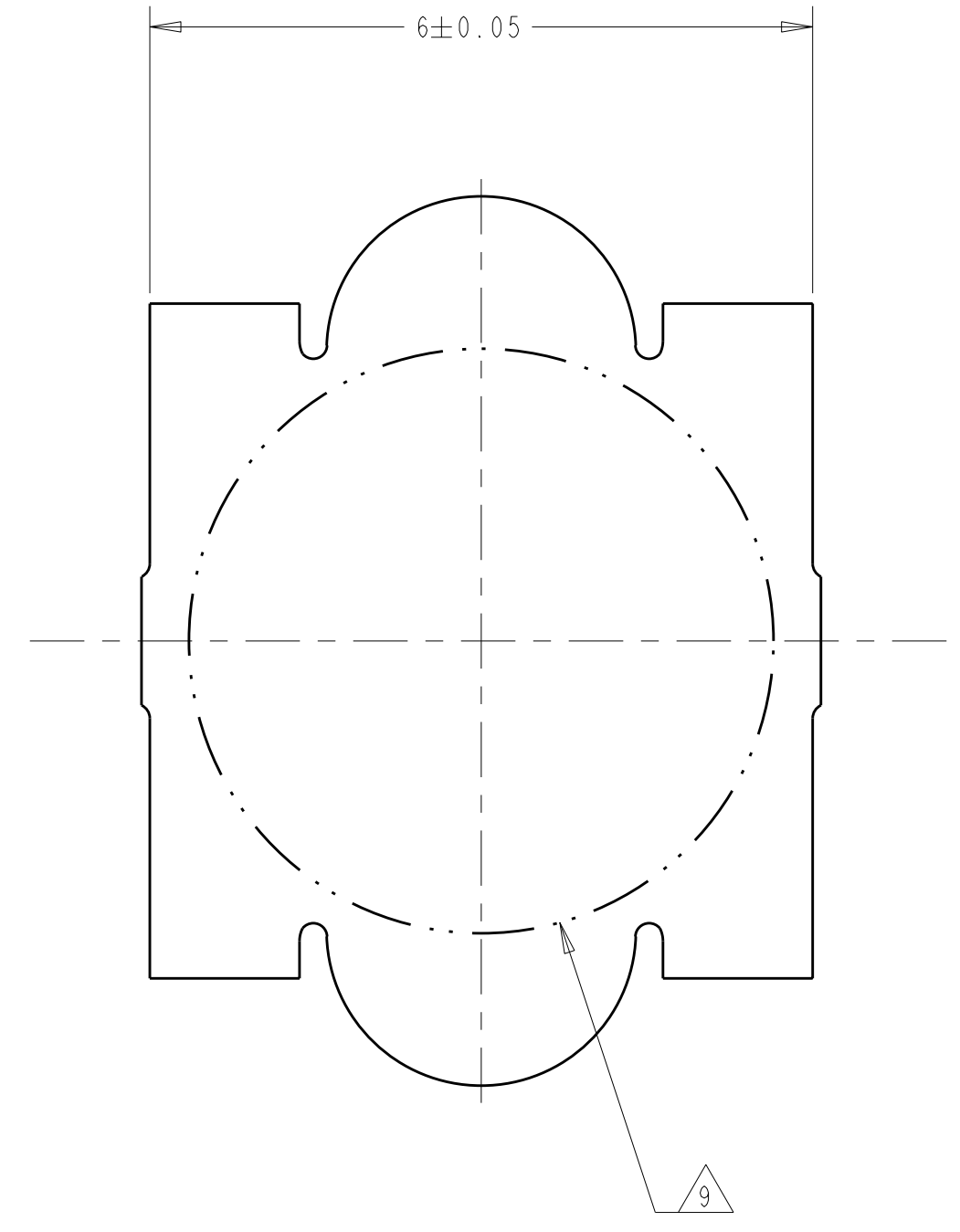
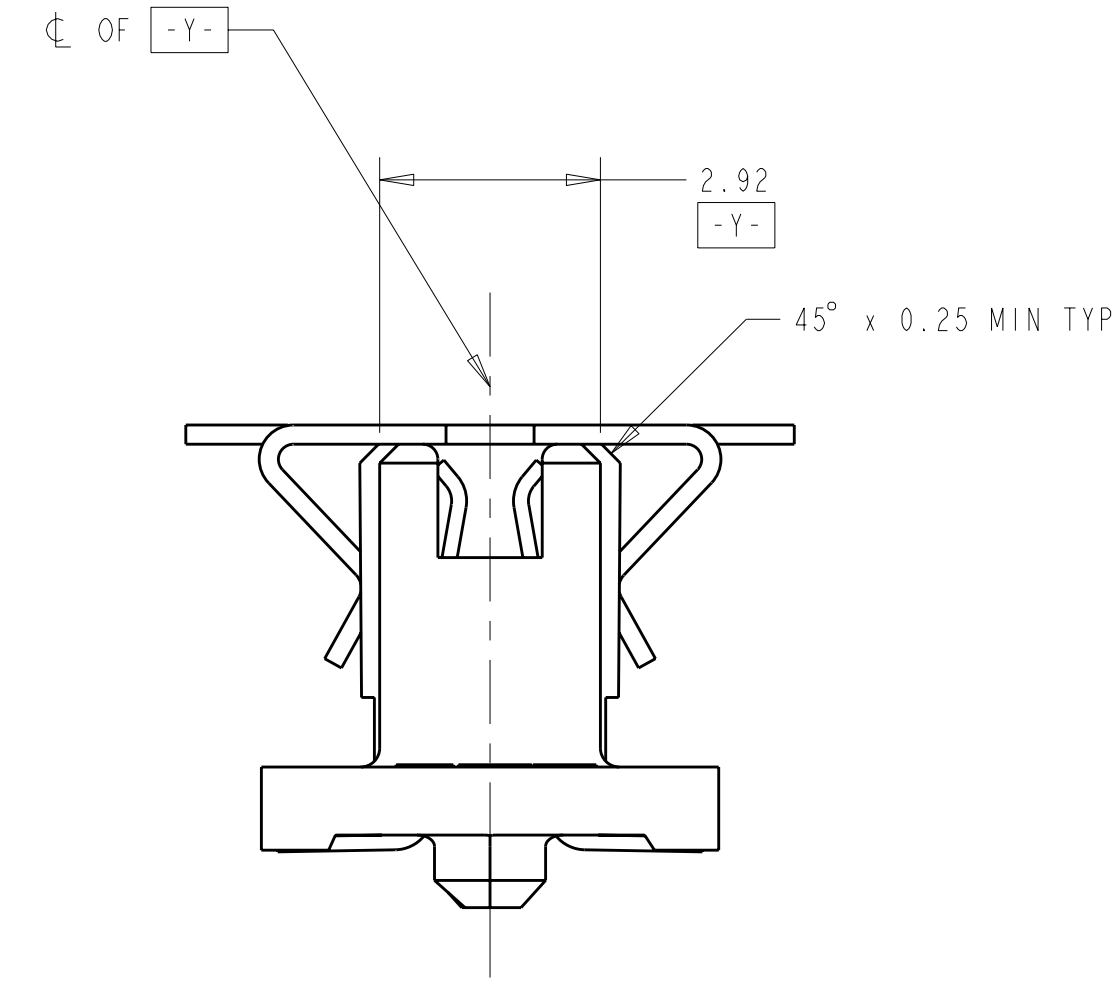
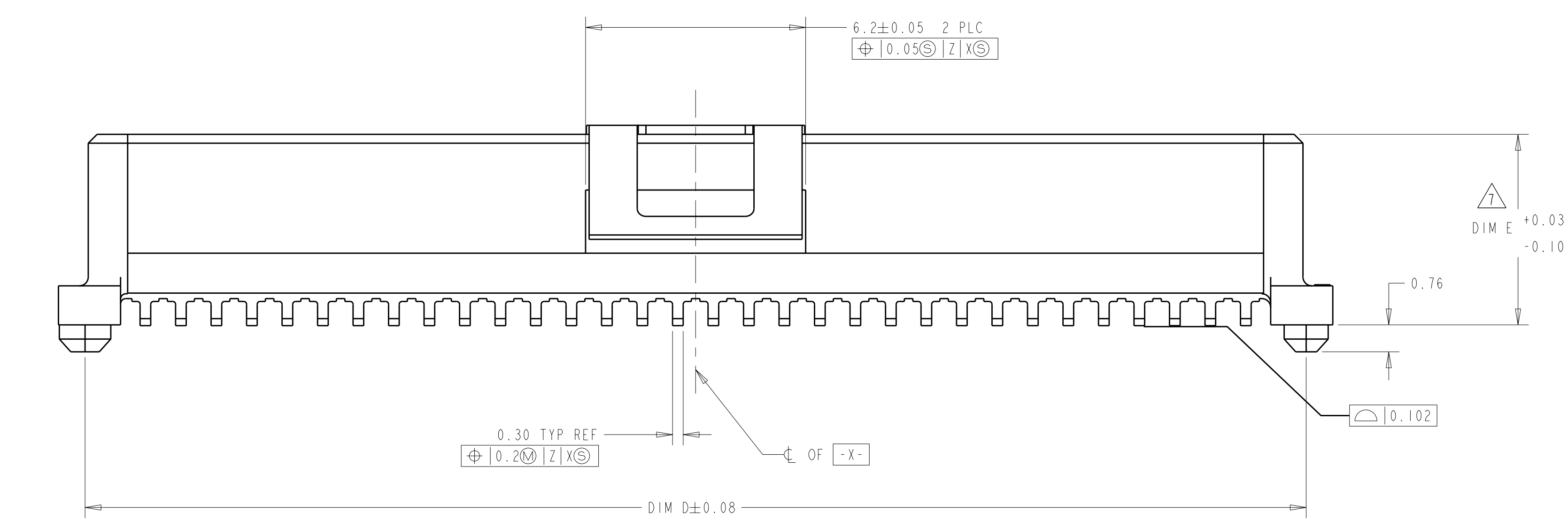
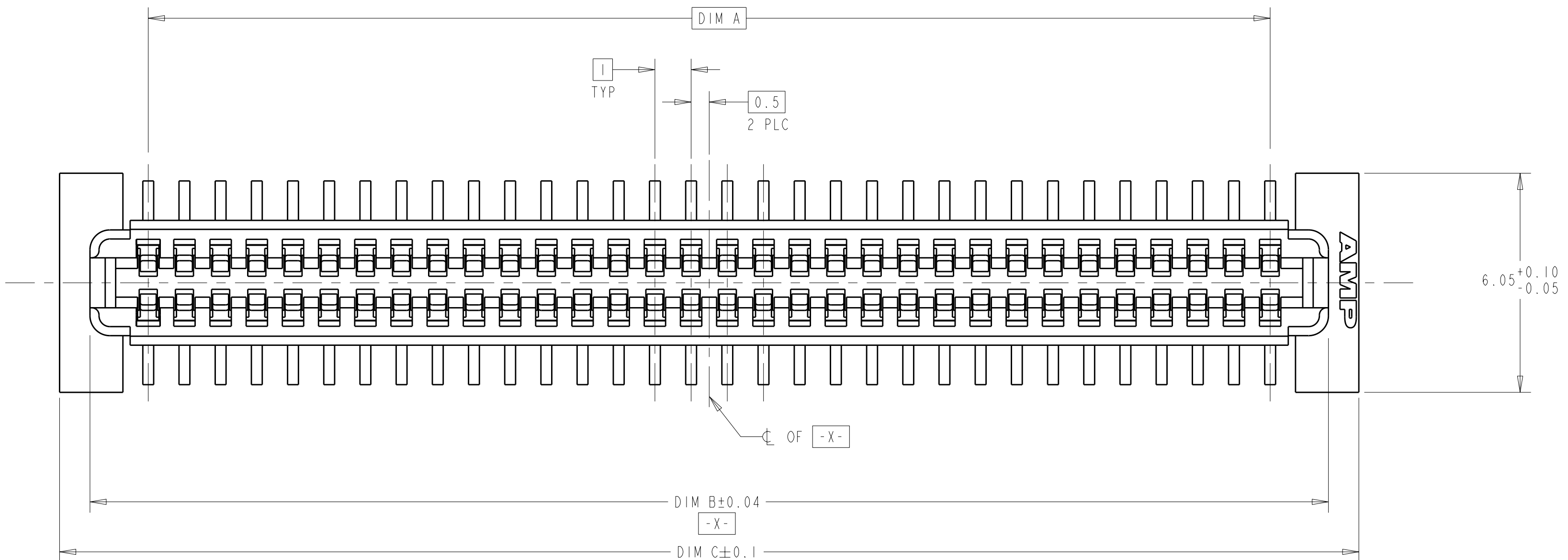


LOC	DIST	REV	DATE	BY	APP'D
AD	00	A	04APR2007	BC	DB
		A1	10JUL2009	AEG	DD

- 1. HOUSING MATERIAL: POLYPHTHALAMIDE, COLOR: BLACK. CONTACT MATERIAL: PHOSPHOR BRONZE.
- 2. CONTACT FINISH: 0.00381 MINIMUM MATTE TIN-LEAD (93-7) ON SOLDER AREA. 0.00127 MINIMUM GOLD ON MATING AREA. BOTH OVER 0.00127 MINIMUM NICKEL ON ENTIRE CONTACT.
- 3. DATUM LOCATIONS AND BASIC DIMENSIONS TO BE ESTABLISHED BY THE CUSTOMER. CONSULT AMP ENGINEERING WHEN PLACING MULTIPLE CONNECTORS ON A PC BOARD.
- 4. PACKAGED IN TAPE ON REEL PER EIA-481.
- 5. 1.4±0.05 DIAMETER HOLE WHEN PLACING BY HAND.
- 6. SHORTER SOLDER LANDS MAY BE USED PER EIA 700AAAB, HOWEVER 2.4 LENGTH ASSURES OPTIMUM SOLDER FILLET REGARDLESS OF MANUFACTURER OF CONNECTOR.
- 7. REFERRED TO AS DIM H IN EIA 700AAAB SPECIFICATION.
- 8. VACUUM COVER NOT SHOWN IN SOME VIEWS FOR CLARITY.
- 9. 5.5 MIN DIAMETER TARGET AREA FOR VACUUM PICK-UP.
- 10. SEE CATALOG FOR OTHER MATING CONNECTOR OPTIONS.



FINISH	DIM E	DIM D	DIM C	DIM B	DIM A	MATING CONNECTORS	STACK HEIGHTS	POS	TE PART NUMBER
2	10.37	34.4	35.9	34.22	31	I-146888-1	15	64	2007042-4
2	10.37	34.4	35.9	34.22	31	I-146898-1	14	64	2007042-4
2	8.37	34.4	35.9	34.22	31	I-146888-1	13	64	2007042-3
2	7.37	34.4	35.9	34.22	31	I-146888-1	12	64	2007042-2
2	7.37	34.4	35.9	34.22	31	I-146898-1	11	64	2007042-2
2	5.37	34.4	35.9	34.22	31	I-146888-1	10	64	2007042-1
2	5.37	34.4	35.9	34.22	31	I-146898-1	9	64	2007042-1
2	5.37	34.4	35.9	34.22	31	I-146897-1	8	64	2007042-1

DIMENSIONS: mm  
 TOLERANCES UNLESS OTHERWISE SPECIFIED:  
 9 PLC ±  
 1 PLC ±0.03  
 5 PLC ±0.003  
 4 PLC ±  
 ANGLES ±0°1'

MATERIAL: SEE TABLE  
 FINISH: SEE TABLE

DWG: B. CARBO 04APR2007  
 CHK: D. BRATINA 04APR2007  
 APVD: D. BRATINA 04APR2007  
 PRODUCT SPEC: 502-1079  
 APPLICATION SPEC: 114-25045  
 WEIGHT: -  
 CUSTOMER DRAWING

Tyco Electronics Corporation  
 Harrisburg, PA 17105-3608  
 NAME: RECEPTACLE ASSY, W/ VACUUM COVER, 1.0mm FH (IEEE 1386) CONNECTOR  
 SIZE: A1 00779 C=2007042  
 SCALE: 10:1 SHEET 1 OF 1 REV A1