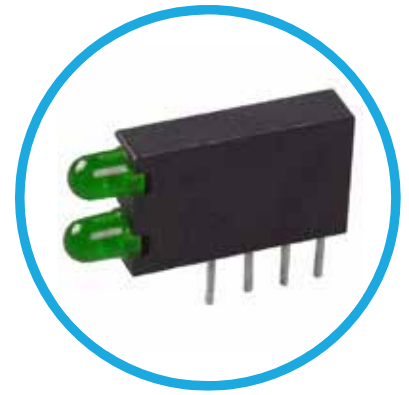




5682F Series Dual Mount T-1 (3mm) LED Circuit Board Indicator

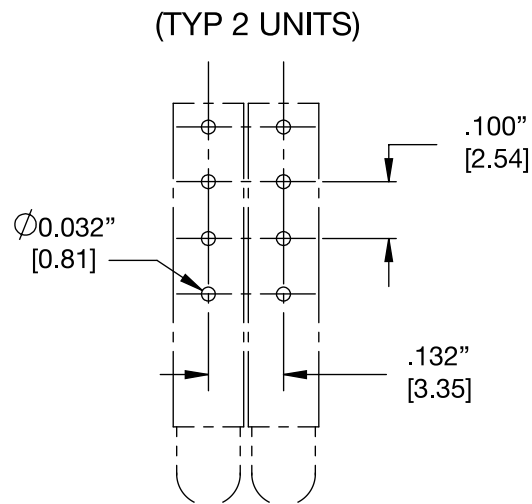


Key Features

- 2 T-1 (3mm) LEDs mounted in single block saves space and assembly time.
- High density only 0.13" wide.
- Black plastic mounting block for high contrast ratio
- Meets UL 94V-Ø flammability specifications
- Available options (custom) - Low current, 5V and 12V built-in resistors and Bi-color and blue LEDs also offered
- Material (Housing): Black Thermoplastic Polyester UL94V-Ø

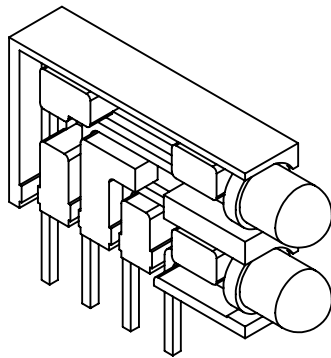
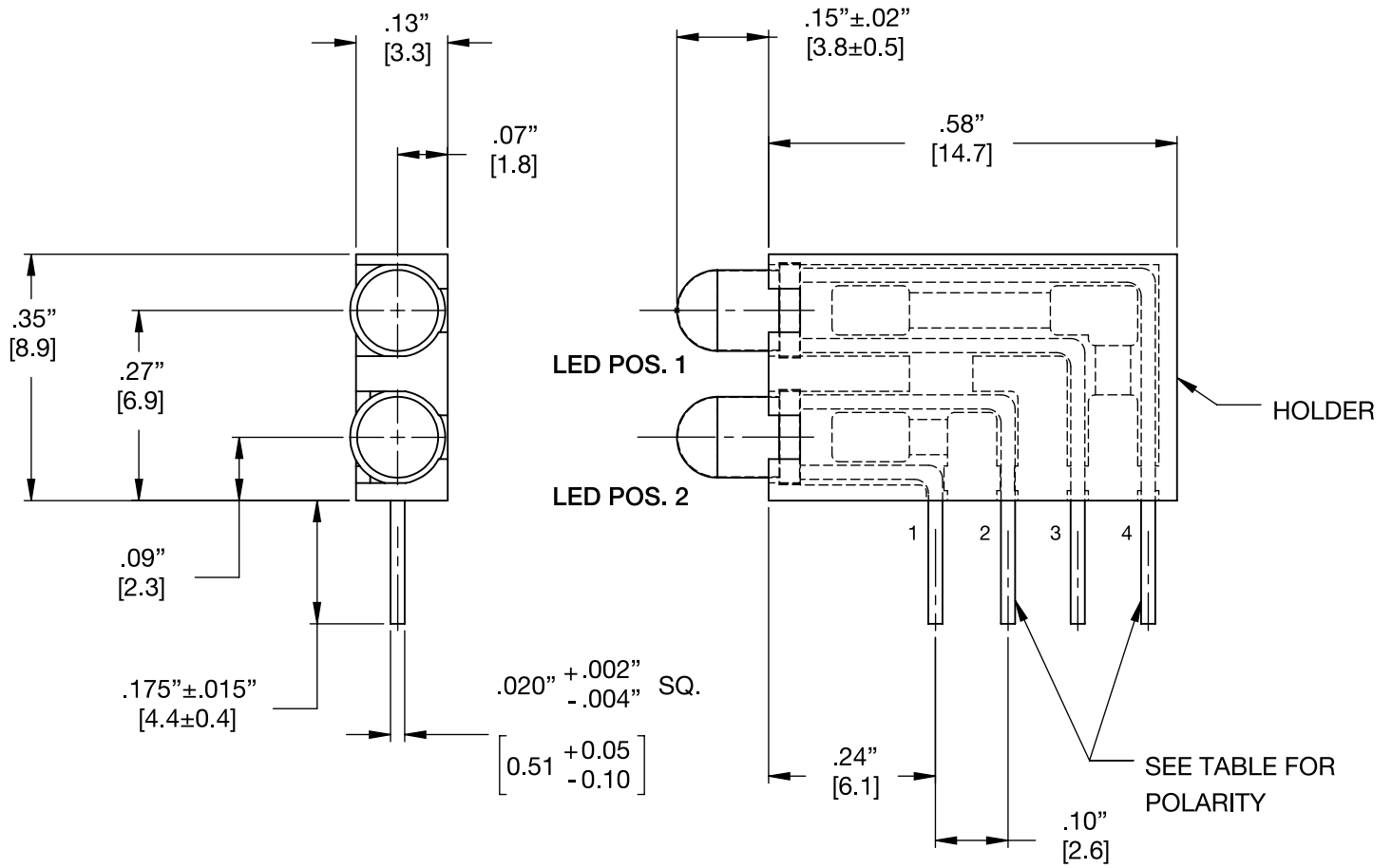
Mounting Hole Pattern

All dimensions are in inches (mm)



Product Dimensions

All dimensions are in inches (mm)



ISO VIEW

Pinout:

- 1 - Cathode LED Pos. 2
- 2 - Anode LED Pos. 2
- 3 - Cathode LED Pos. 1
- 4 - Anode LED Pos. 1

Electro-Optical Characteristics and Ratings

Part Number	Emitted Color	Rated Current (mA)	Min. Intensity (mcd)	Continuous Forward Current Max. (mA)	Forward Voltage			Reverse Breakdown Voltage Min. (V)	Peak Wavelength (nm)
					Typ. (V)	Min. (V)	Max. (V)		
5682F1_1	Red	10	8.6	25	1.9	15	2.4	5.0	635
5682F3_3	Amber	10	5.4	25	1.9	15	2.4	5.0	600
5682F5_5	Green	10	4.2	25	2.1	15	2.7	5.0	565
5682F7_7	Yellow	10	2.2	20	2.0	15	2.4	5.0	583

Ordering Information: Use chart below to determine model number

	Red	Amber	Green	Yellow
LED	1	3	5	7

Model No. is as follows: 5682F _____
LED Pos. 1 LED Pos. 2

Example: To order red LED on top and green LED on bottom, the part number would be 5682F1_5

Compliances and Approvals

