

# 10400 series

Professional pushbutton switches - threaded bushing Ø 10 (.393)

*Distinctive features and specifications*

UG1410A



☐ CECC approved

B2

## ELECTRICAL SPECIFICATIONS

- Max. current/voltage rating with resistive load : 3A 24VDC
- Minimum load : 100µA 10mV
- Initial contact resistance : 10 mΩ max.
- Insulation resistance : 1.000 MΩ min. at 500VDC
- Dielectric strength :
  - 1.000 Veff. 50 Hz min. between terminals of the same pole
  - 2.000 Veff. 50 Hz min. between terminals and frame
  - 2.000 Veff. 50 Hz min. between terminals of adjacent poles
- Electrical life : 50.000 cycles

## MATERIALS

- Case : diallylphthalate (DAP)
- Actuator : brass, chrome plated
- Bushing : brass, nickel plated
- Housing : brass, nickel plated
- Contacts :
  - silver
  - gold plated silver
- Terminal seal : epoxy

## APPROVAL



CECC 96401-001

**Availability** : consult factory for details of approved models.

**Marking** : to order switches marked CECC, add "CECC" to model number.

## GENERAL SPECIFICATIONS

- Torque : 1,50 Nm (1.106 Ft.lb) max. applied to nut
- Operating temperature : -40°C to +85°C
- Max. panel thickness : 3,5 mm (.138)

## ABOUT THIS SERIES

Complete part numbers are shown on the following page.

**Dimensions** : first dimensions are in mm while inches are shown as bracketed numbers.



**Sealing boots** are available to protect the switches against dust and water. They are presented in section H.



**Mounting accessories** : standard hardware supplied with all models : 1 knurled nut, 1 hex nut, 1 locking ring and 1 lockwasher. They are presented in section I.

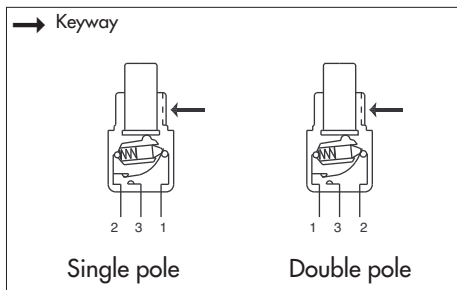


**Packaging unit** : 25 pieces.

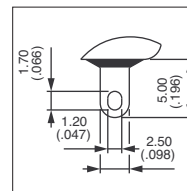
The company reserves the right to change specifications without notice.

# 10400 series

Professional pushbutton switches - threaded bushing Ø 10 (.393)



- Solder lug terminals
- 1 and 2 pole configurations
- Available with matt black finish : consult factory for model number



**MODEL STRUCTURE**



B2

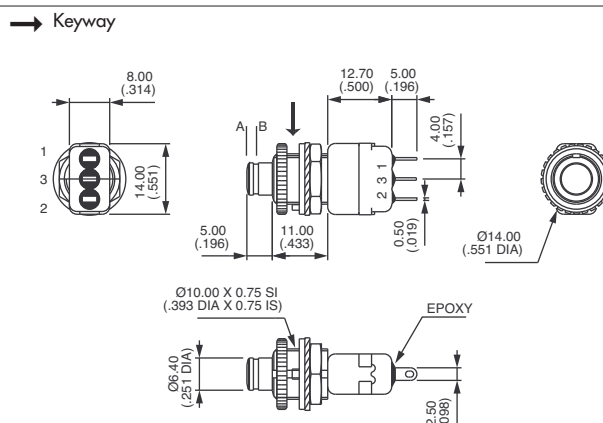
**Single pole**



Silver contacts  
**104350003**

Gold plated silver contacts  
**104350108**

	A	B
	1-2	1-3
	ON - MOM	
	ON - MOM	



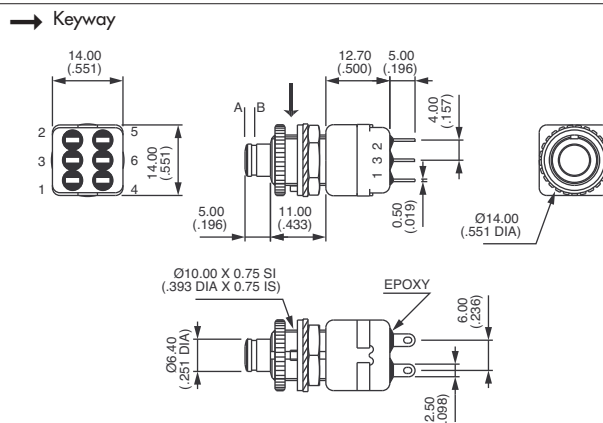
**Double pole**



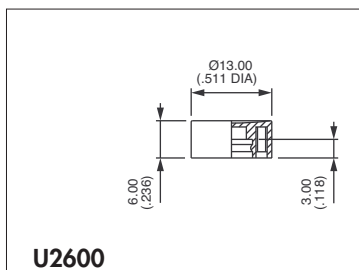
Silver contacts  
**104450003**

Gold plated silver contacts  
**104450108**

	A	B
	2-1	2-3
	5-4	5-6
	ON - MOM	
	ON - MOM	



**CAP**



Cap colours			
Replace last "0" by number			
1	blue	5	yellow
1/4	dark blue	6	red
2	black	7	ivory
3	green	7/1	white
4	grey	9	orange

**PANEL CUT-OUT**

