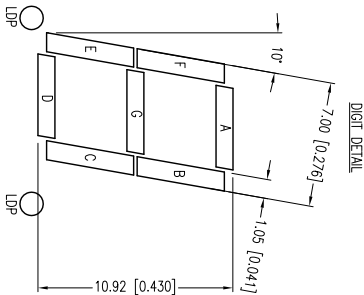
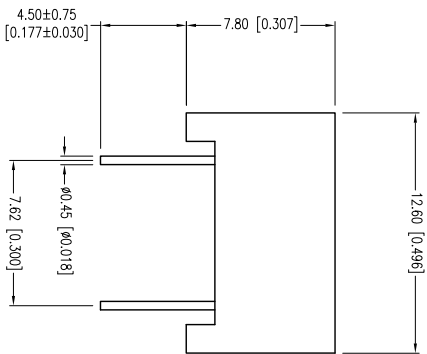
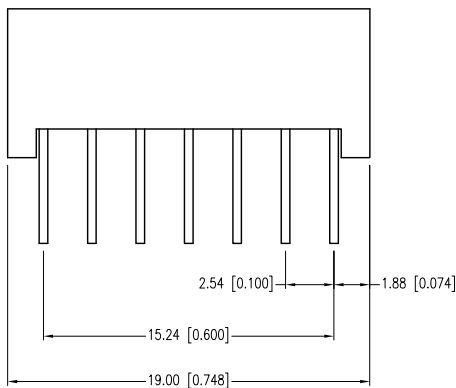
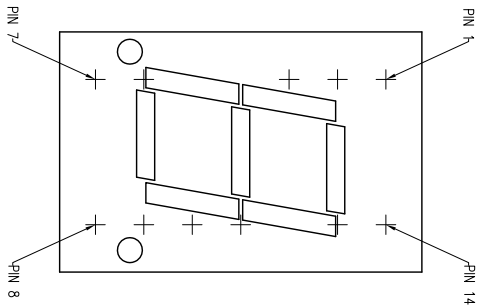


PART NUMBER	LDS-C416RI	REV.	C
DATE	04.20.98	E.C.N. NUMBER AND REVISION COMMENTS	REV.
	1001.14	E.C.N. #108ROR & REDRAWN	A
	1001.14	E.C.N. #11930	B
	1001.14	E.C.N. #108ROR & REDRAWN	C



ELECTRO-OPTICAL CHARACTERISTICS $T_c=25^\circ\text{C}$ $I_f=10\text{mA}$

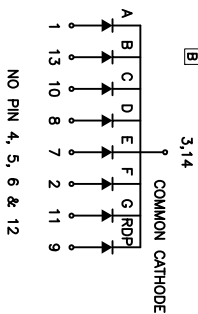
PARAMETER	MIN	TYP	MAX	UNITS	TEST COND
PEAK WAVELENGTH		660		nm	
FORWARD VOLTAGE		1.8	2.3	V _f	$I_f=100\mu\text{A}$
REVERSE VOLTAGE	4.0			V _r	$I_f=10\text{mA}$
AXIAL INTENSITY		9800		μcd	
EMITTED COLOR:	RED				2x theta
FONT COLOR:	GREY				
SEGMENT COLOR:	MILKY WHITE DIFFUSED				

LIMITS OF SAFE OPERATION AT 25°C

PARAMETER	MAX	UNITS
PEAK FORWARD CURRENT*	150	mA
STEADY CURRENT	30	mA
POWER DISSIPATION	100	mW
DERATE FROM 25°C	-1.2	mW/°C
OPERATING TEMP.	-40 TO +85	°C
STORAGE TEMP.	-40 TO +85	°C
SOLDERING TEMP.*	+260	°C
	3	SEC.

* 1<10μS
2.0mm FROM BODY

RELIABILITY NOTE:
OUR MANY YEARS OF EXPERIENCE DATA ACCUMULATION INDICATE THAT SOLDER HEAT IS A MAJOR CAUSE OF EARLY AND FUTURE FAILURE. PLEASE PAY ATTENTION TO YOUR SOLDERING PROCESS.



*UNLESS OTHERWISE SPECIFIED TOLERANCES PER DECIMAL PRECISION ARE: X=±1 (±0.029), X.X=±0.5 (±0.020), X.XX=±0.25 (±0.010), X.XXX=±0.127 (±0.009), LEAD SIZE=±0.05 (±0.002), LEAD LENGTH=±0.75 (±0.030), MIN= -0.00 (DECIMAL PRECISION), MAX= +0.00 (DECIMAL PRECISION)

LUMEX
Creating LED and LCD Solutions Together™
425 N. GARY AVE.
CAROL STREAM, IL 60188-4900
PHONE: +1 (800) 278-3666
FAX: +1 (630) 315-2152
WEB: WWW.LUMEX.COM
MEMBER OF JTW PHOTONICS GROUP

0.43" SINGLE DIGIT, SEVEN SEGMENT DISPLAY, 660nm RED, GREY FONT/WHITE SEGMENTS, COMMON CATHODE.

CONFIDENTIAL INFORMATION
THE INFORMATION CONTAINED IN THIS DOCUMENT IS THE PROPERTY OF LUMEX INC. EXCEPT AS SPECIFICALLY AUTHORIZED IN WRITING BY LUMEX INC., THE HOLDER OF THIS DOCUMENT SHALL KEEP ALL INFORMATION CONTAINED HEREIN CONFIDENTIAL AND SHALL PROTECT SAME IN WHOLE OR IN PART FROM DISCLOSURE AND DISSEMINATION TO ALL THIRD PARTIES.

UNCONTROLLED DOCUMENT

DATE:	10.01.14	DRAWN BY:	MA
PAGE:	1 OF 1	CHKD BY:	KF
SCALE:	NTS	APRVD BY:	KF
UNIT:	mm [INCH]		