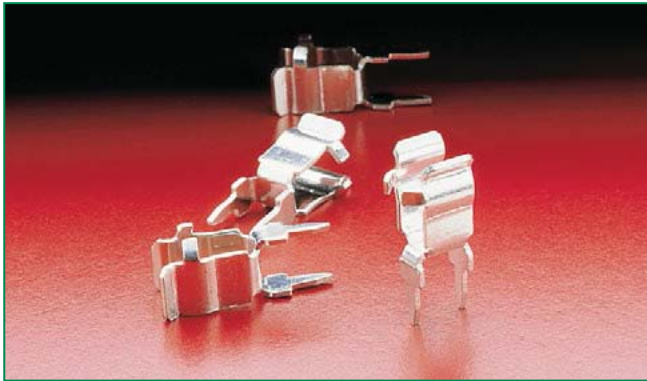


100/445/030/520 Series Circuit Board Mount Clips for 5mm Diameter Fuses



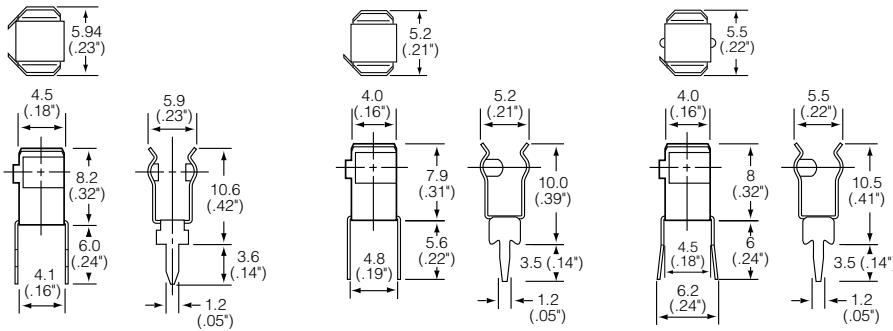
Product Characteristics

	100 054/056 series	100 020 series	445/030/520 series
Compatible Fuse Size	5mm Diameter Fuses Littelfuse 213, 215, 216, 217, 218, 219XA, 232, 233, 234, 235, and 239 Series Fuses		
Current Level	10 Amp max	20 Amp max	10 Amp max

Agency Approval

Agency	Agency File Number			
	100 054/056 series	445/030 series	100 020 series	520 series
	NA		E14721	

Product Dimensions



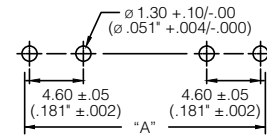
0100 0020 / 0100 0054 / 0100 0056

0445 0001 / 0030 0210

0520 0001

Mounting Dimensions

Fuse Size	A Dim.
5mm×20 mm	20.5 (.807")
5mm×25 mm	25.5 (1.004")
5mm×30 mm	31.0 (1.220")



Recommended Mounting Dimensions

Ordering Information

Ordering PN*	Catalog No.	Clip Material	Plating	Style	Packaging Available
0100 0054	100 054	Spring Brass	Silver-plated	Ear	Z
0100 0056	100 056	Spring Brass	Tin-plated	Ear	Z
0100 0020	100 020	Phosphor Bronze	Tin-plated	Ear	Z
0445 0001	445 001	Spring Brass	Tin-plated	Ear	M or N
0030 0210	030 210	Spring Brass	Nickel-plated	Ear	M or N
0520 0001	520 001	Spring Brass	Silver-plated	Ear	M or N

Add Suffix to the Ordering PN for Packaging

"M" = std. package 1000 pcs per pack
 "N" = std. package 5000 pcs per pack
 "Z" = for bulk package