

BGA729N6

Broadband Low Noise Amplifier for Portable and Mobile TV Applications

Data Sheet

Revision 3.0, 2015-11-18

Edition 2015-11-18

**Published by
Infineon Technologies AG
81726 Munich, Germany**

**© 2015 Infineon Technologies AG
All Rights Reserved.**

Legal Disclaimer

The information given in this document shall in no event be regarded as a guarantee of conditions or characteristics. With respect to any examples or hints given herein, any typical values stated herein and/or any information regarding the application of the device, Infineon Technologies hereby disclaims any and all warranties and liabilities of any kind, including without limitation, warranties of non-infringement of intellectual property rights of any third party.

Information

For further information on technology, delivery terms and conditions and prices, please contact the nearest Infineon Technologies Office (www.infineon.com).

Warnings

Due to technical requirements, components may contain dangerous substances. For information on the types in question, please contact the nearest Infineon Technologies Office.

Infineon Technologies components may be used in life-support devices or systems only with the express written approval of Infineon Technologies, if a failure of such components can reasonably be expected to cause the failure of that life-support device or system or to affect the safety or effectiveness of that device or system. Life support devices or systems are intended to be implanted in the human body or to support and/or maintain and sustain and/or protect human life. If they fail, it is reasonable to assume that the health of the user or other persons may be endangered.

Revision History

Page or Item	Subjects (major changes since previous revision)
Revision 3.0, 2015-11-18	
9	Maximum ratings updated (Maximum value for voltage at pin AO)
10	Input return loss updated
Revision 2.0, 2015-09-30	
7	Marking updated
7, 8, 10	Electrical performance updated
11	Bill of materials updated
12	Marking layout drawing updated

Trademarks of Infineon Technologies AG

AURIX™, C166™, CanPAK™, CIPOS™, CIPURSE™, EconoPACK™, CoolMOS™, CoolSET™, CORECONTROL™, CROSSAVE™, DAVE™, DI-POL™, EasyPIM™, EconoBRIDGE™, EconoDUAL™, EconoPIM™, EconoPACK™, EiceDRIVER™, eupec™, FCOS™, HITFET™, HybridPACK™, I²RF™, ISOFACE™, IsoPACK™, MIPAQ™, ModSTACK™, my-d™, NovalithIC™, OptiMOS™, ORIGA™, POWERCODE™, PRIMARION™, PrimePACK™, PrimeSTACK™, PRO-SIL™, PROFET™, RASIC™, ReverSave™, SatRIC™, SIEGET™, SINDRION™, SIPMOS™, SmartLEWIS™, SOLID FLASH™, TEMPFET™, thinQ!™, TRENCHSTOP™, TriCore™.

Other Trademarks

Advance Design System™ (ADS) of Agilent Technologies, AMBA™, ARM™, MULTI-ICE™, KEIL™, PRIMECELL™, REALVIEW™, THUMB™, µVision™ of ARM Limited, UK. AUTOSAR™ is licensed by AUTOSAR development partnership. Bluetooth™ of Bluetooth SIG Inc. CAT-iq™ of DECT Forum. COLOSSUS™, FirstGPS™ of Trimble Navigation Ltd. EMV™ of EMVCo, LLC (Visa Holdings Inc.). EPCOS™ of Epcos AG. FLEXGO™ of Microsoft Corporation. FlexRay™ is licensed by FlexRay Consortium. HYPERTERMINAL™ of Hilgraeve Incorporated. IEC™ of Commission Electrotechnique Internationale. IrDA™ of Infrared Data Association Corporation. ISO™ of INTERNATIONAL ORGANIZATION FOR STANDARDIZATION. MATLAB™ of MathWorks, Inc. MAXIM™ of Maxim Integrated Products, Inc. MICROTEC™, NUCLEUS™ of Mentor Graphics Corporation. MIPI™ of MIPI Alliance, Inc. MIPS™ of MIPS Technologies, Inc., USA. muRata™ of MURATA MANUFACTURING CO., MICROWAVE OFFICE™ (MWO) of Applied Wave Research Inc., OmniVision™ of OmniVision Technologies, Inc. Openwave™ Openwave Systems Inc. RED HAT™ Red Hat, Inc. RFMD™ RF Micro Devices, Inc. SIRIUS™ of Sirius Satellite Radio Inc. SOLARIS™ of Sun Microsystems, Inc. SPANSION™ of Spansion LLC Ltd. Symbian™ of Symbian Software Limited. TAIYO YUDEN™ of Taiyo Yuden Co. TEAKLITE™ of CEVA, Inc. TEKTRONIX™ of Tektronix Inc. TOKO™ of TOKO KABUSHIKI KAISHA TA. UNIX™ of X/Open Company Limited. VERILOG™, PALLADIUM™ of Cadence Design Systems, Inc. VLYNQ™ of Texas Instruments Incorporated. VXWORKS™, WIND RIVER™ of WIND RIVER SYSTEMS, INC. ZETEX™ of Diodes Zetex Limited.

Last Trademarks Update 2011-11-11

Table of Contents

	Table of Contents	4
	List of Figures	5
	List of Tables	6
	Features	7
1	Maximum Ratings	9
2	Electrical Characteristics	10
3	Application Information	11
4	Package Information	12

List of Figures

Figure 1	Block Diagram	8
Figure 2	Application Schematic BGA729N6	11
Figure 3	TSNP-6-2 Package Outline (top, side and bottom views)	12
Figure 4	Footprint Recommendation TSNP-6-2	12
Figure 5	Marking Layout (top view)	12
Figure 6	Tape & Reel Dimensions (reel diameter 180 mm, pieces/reel 15000)	13

List of Tables

Table 1	Pin Definition and Function	8
Table 2	Gain Mode Selection Truth Table	8
Table 3	Maximum Ratings	9
Table 4	Electrical Characteristics: $T_A = 25\text{ °C}$, $V_{CC} = V_{PON} = 2.8\text{ V}$, $V_{GS} = 0 / 2.8\text{ V}$, $f = 70 - 1000\text{ MHz}$	10
Table 5	Bill of Materials	11

Features

- Insertion power gain: 16.3 dB
- Insertion Loss in bypass mode: 4.2 dB
- Low noise figure: 1.05 dB / 4.3 dB in high gain / bypass mode
- Low current consumption: 6.3 mA
- Power off function
- Operating frequency: 70 - 1000 MHz
- Three-state control: OFF-, bypass- and high gain-Mode
- Supply voltage: 1.5 V to 3.3 V
- Ultra small TSNP-6-2 leadless package (footprint: 0.7 x 1.1 mm²)
- B7HF Silicon Germanium technology
- No external matching inductor required
- RF input and output internally matched to 50 Ω
- Only 2 external SMD component necessary
- 2 kV HBM ESD protection (including Al-pin)
- Pb-free (RoHS compliant) package



Product Name	Marking	Package
BGA729N6	M	TSNP-6-2

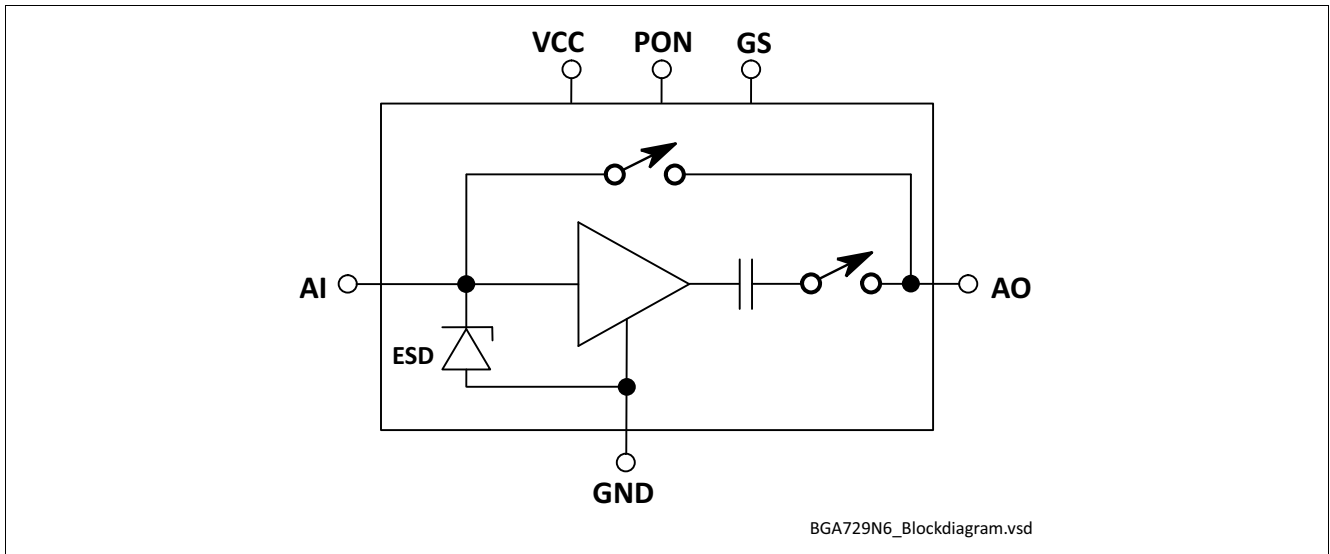


Figure 1 Block Diagram

Description

The BGA729N6 is a broadband low power low noise amplifier (LNA) MMIC for portable and mobile TV applications which covers a wide frequency range from 70 MHz to 1000 MHz. The LNA provides 16.3 dB gain and 1.05 dB noise figure at a current consumption of 6.3 mA in the application configuration described in [Chapter 3](#). In bypass mode the LNA provides an insertion loss of 4.2 dB. The bypass mode with much higher linearity enables this LNA to work with much lower current consumption than commonly used TV LNAs. The BGA729N6 is based upon Infineon Technologies' B7HF Silicon Germanium technology. It operates from 1.5 V to 3.3 V supply voltage.

Pin Definition and Function

Table 1 Pin Definition and Function

Pin No.	Name	Function
1	GS	High gain / bypass mode control
2	VCC	DC supply
3	AO	LNA output
4	GND	Ground
5	AI	LNA input
6	PON	Power on / off control

Gain Mode Selection Truth Table

Table 2 Gain Mode Selection Truth Table

Control Voltage V_{PON}	Control Voltage V_{GS}	Gain Mode
High	Low	High Gain
High	High	Bypass
Low	High	Bypass
Low	Low	OFF

1 Maximum Ratings

Table 3 Maximum Ratings

Parameter ¹⁾	Symbol	Values			Unit	Note / Test Condition
		Min.	Typ.	Max.		
Voltage at pin VCC	V_{CC}	-0.3	–	3.6	V	–
Voltage at pin AI	V_{AI}	-0.3	–	0.9	V	–
Voltage at pin AO	V_{AO}	-0.3	–	$V_{CC} + 0.3$	V	–
Voltage at pin PON	V_{PON}	-0.3	–	$V_{CC} + 0.3$	V	–
Voltage at pin GS	V_{GS}	-0.3	–	$V_{CC} + 0.3$	V	–
Voltage at GND pins	V_{GND}	-0.3	–	0.3	V	–
Current into pin VCC	I_{CC}	–	–	16	mA	–
RF input power	P_{IN}	–	–	+2	dBm	–
Total power dissipation, $T_S < tbd. \text{ } ^\circ\text{C}^2)$	P_{tot}	–	–	60	mW	–
Junction temperature	T_J	–	–	150	$^\circ\text{C}$	–
Ambient temperature range	T_A	-40	–	85	$^\circ\text{C}$	–
Storage temperature range	T_{STG}	-65	–	150	$^\circ\text{C}$	–
ESD capability all pins	V_{ESD_HBM}	–	–	2000	V	according to JESD22A-114

1) All voltages refer to GND-Node unless otherwise noted

2) T_S is measured on the ground lead at the soldering point

Attention: Stresses above the max. values listed here may cause permanent damage to the device. Exposure to absolute maximum rating conditions for extended periods may affect device reliability. Maximum ratings are absolute ratings; exceeding only one of these values may cause irreversible damage to the integrated circuit.

2 Electrical Characteristics

Table 4 Electrical Characteristics:¹⁾ $T_A = 25\text{ °C}$, $V_{CC} = V_{PON} = 2.8\text{ V}$, $V_{GS} = 0 / 2.8\text{ V}$, $f = 70 - 1000\text{ MHz}$

Parameter	Symbol	Values			Unit	Note / Test Condition
		Min.	Typ.	Max.		
Supply voltage	V_{CC}	1.5	–	3.3	V	–
Supply current	I_{CC}	–	6.3	–	mA	High gain mode
		–	0.55	–	mA	Bypass mode
		–	0.2	5	μA	OFF-mode
Current into PON pin	I_{PON}	–	10	–	μA	High gain mode
Current into GS pin	I_{GS}	–	60	–	μA	Bypass mode
Insertion power gain $f = 470\text{ MHz}$	$ S_{21} ^2$	–	16.3	–	dB	High gain mode
		–	-4.2	–	dB	Bypass mode
Noise figure ²⁾ $Z_S = 50\ \Omega$	NF	–	1.05	–	dB	High gain mode
		–	4.3	–	dB	Bypass mode
Input return loss $f = 470\text{ MHz}$	RL_{in}	–	10	–	dB	High gain mode
		–	15	–	dB	Bypass mode
Output return loss $f = 470\text{ MHz}$	RL_{out}	–	17	–	dB	High gain mode
		–	13	–	dB	Bypass mode
Reverse isolation	$1/ S_{12} ^2$	–	28	–	dB	High gain mode
		–	4.2	–	dB	Bypass mode
Power gain settling time ³⁾	t_S	–	4	–	μs	OFF- to ON-mode
Inband input 1dB-compression point, $f = 470\text{ MHz}$	IP_{1dB}	–	-15	–	dBm	High gain mode
		–	+6	–	dBm	Bypass mode
Inband input 3 rd -order intercept point ⁴⁾ $f_1 = 470\text{ MHz}$, $f_2 = f_1 + 1\text{ MHz}$	IIP_3	–	-6	–	dBm	High gain mode
		–	+20	–	dBm	Bypass mode
Stability	k	–	> 1	–		$f = 20\text{ MHz} \dots 10\text{ GHz}$

1) Based on the application described in chapter 3

2) PCB losses are subtracted

3) To be within 1 dB of the final gain

4) High gain mode: Input power = -30 dBm for each tone / Bypass mode: Input power = -10 dBm for each tone

3 Application Information

Application Board Configuration

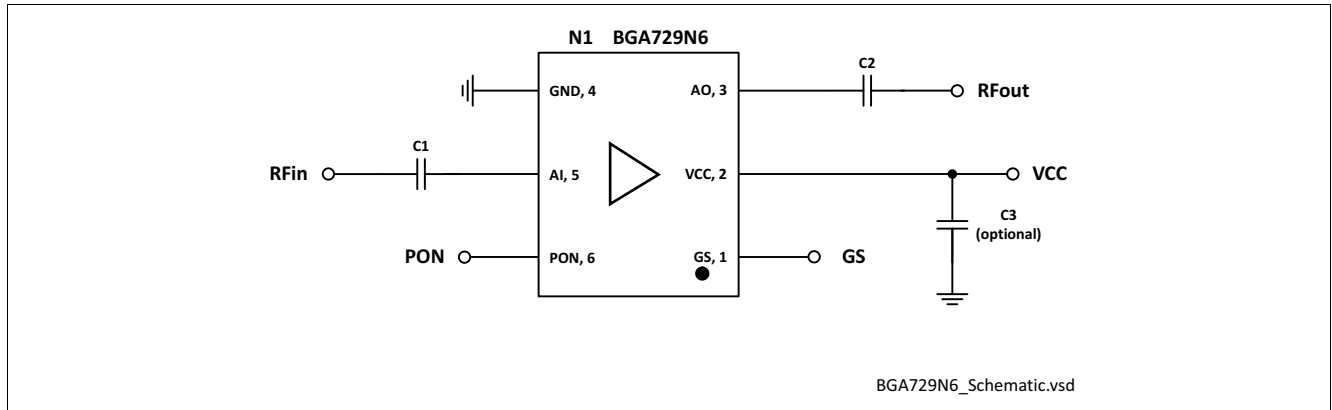


Figure 2 Application Schematic BGA729N6

Table 5 Bill of Materials

Name	Value	Package	Manufacturer	Function
C1	1 nF	0402	Various	DC block ¹⁾
C2	1 nF	0402	Various	DC block ¹⁾
C3 (optional)	≥ 1 nF	0402	Various	RF bypass ²⁾
N1	BGA729N6	TSNP-6-2	Infineon	SiGe LNA

1) DC block might be necessary due to internal LNA bias voltage @ AI (LNA Analog Input pin). The DC block can be realized with pre-filter (e.g. SAW)

2) RF bypass recommended to mitigate power supply noise

Note: No external DC blocking capacitor at RFout is required in typical applications as long as no DC is applied.

A list of all application notes is available at <http://www.infineon.com/ltelna>

4 Package Information

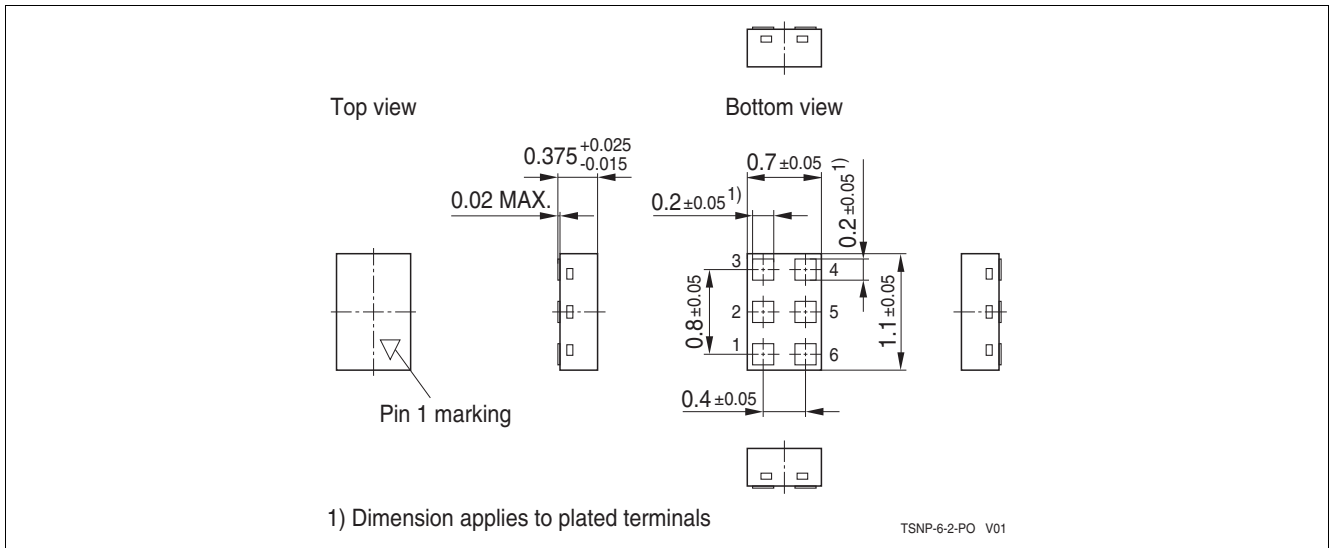


Figure 3 TSNP-6-2 Package Outline (top, side and bottom views)

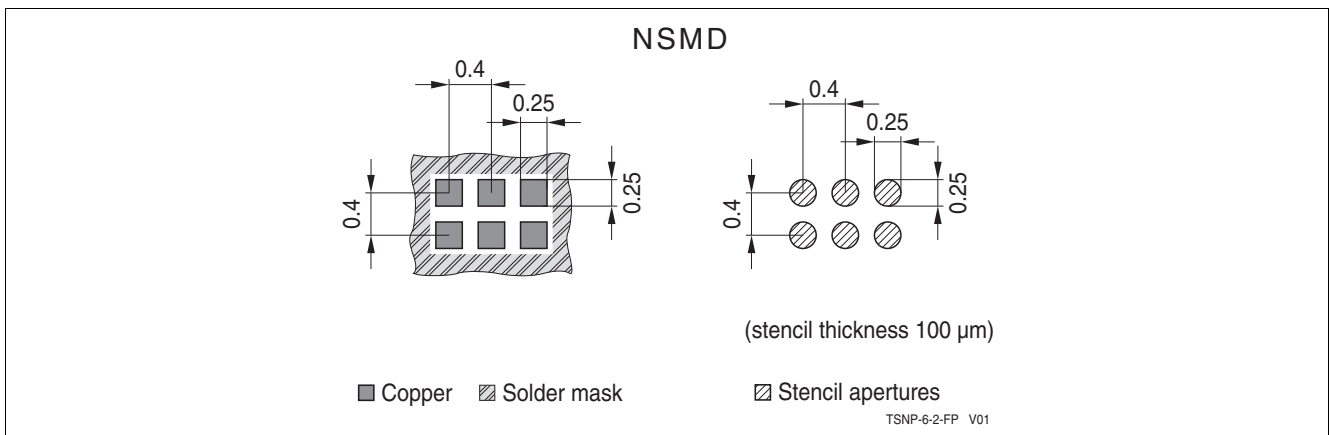


Figure 4 Footprint Recommendation TSNP-6-2

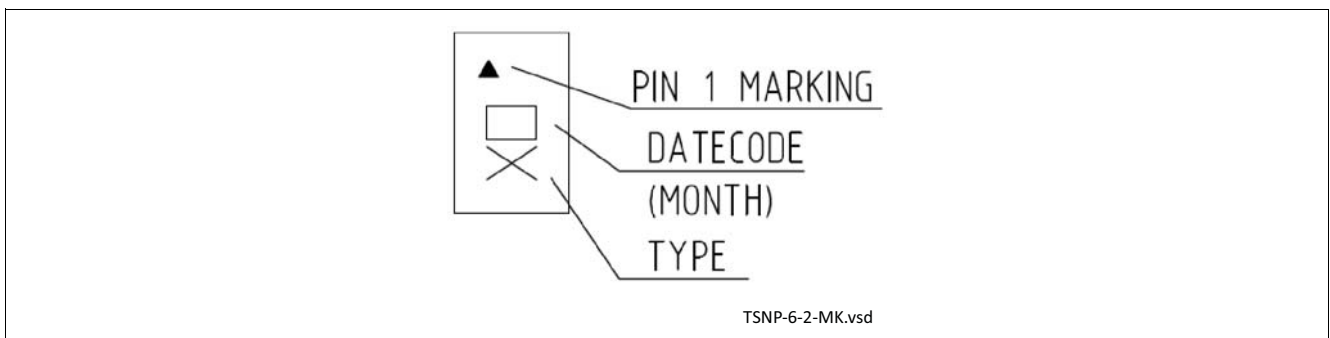


Figure 5 Marking Layout (top view)

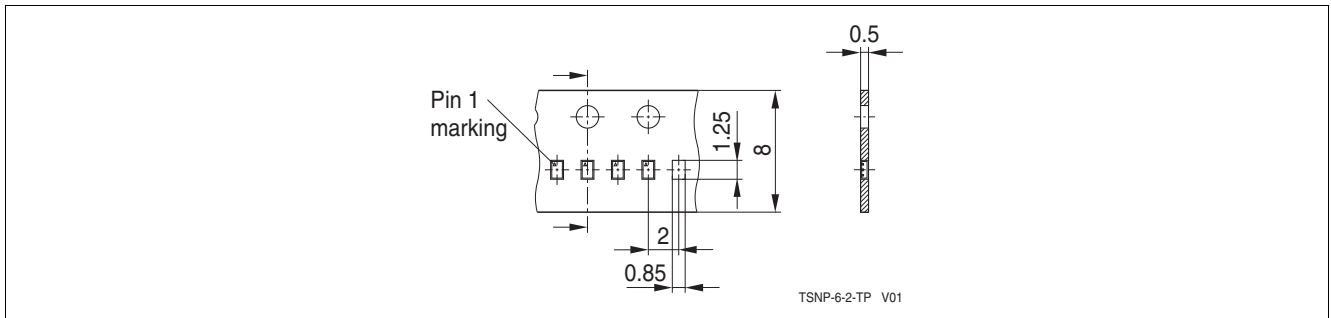


Figure 6 Tape & Reel Dimensions (reel diameter 180 mm, pieces/reel 15000)

www.infineon.com

Published by Infineon Technologies AG

Mouser Electronics

Authorized Distributor

Click to View Pricing, Inventory, Delivery & Lifecycle Information:

[Infineon:](#)

[BGA729N6E6327XTSA1](#)