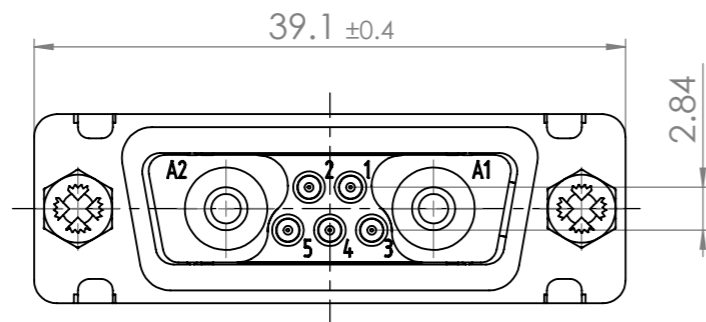
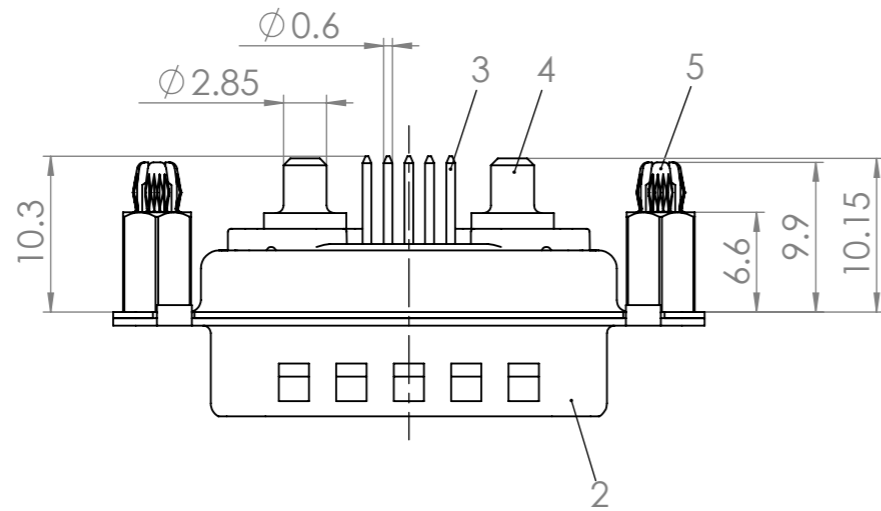
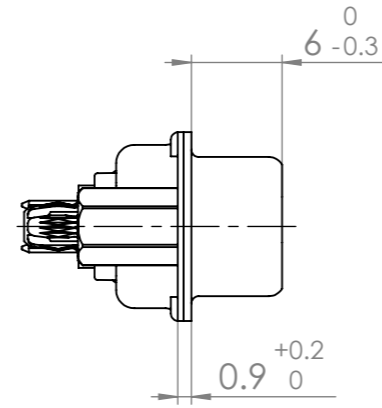
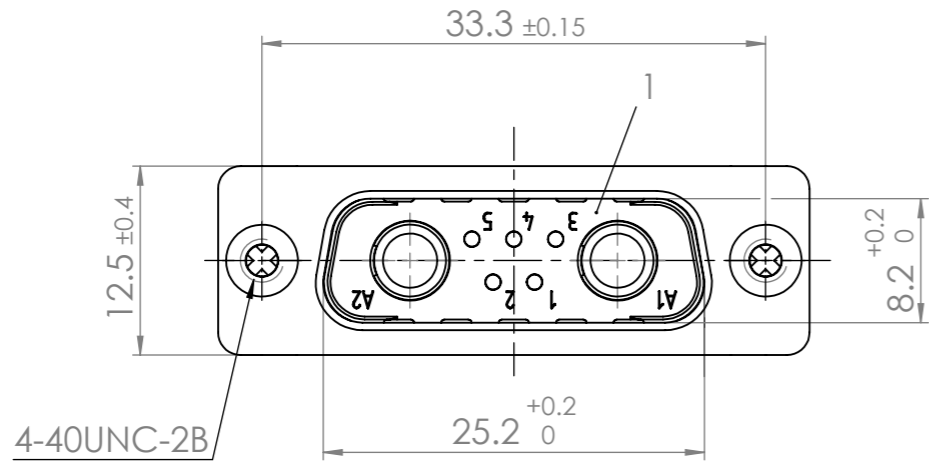
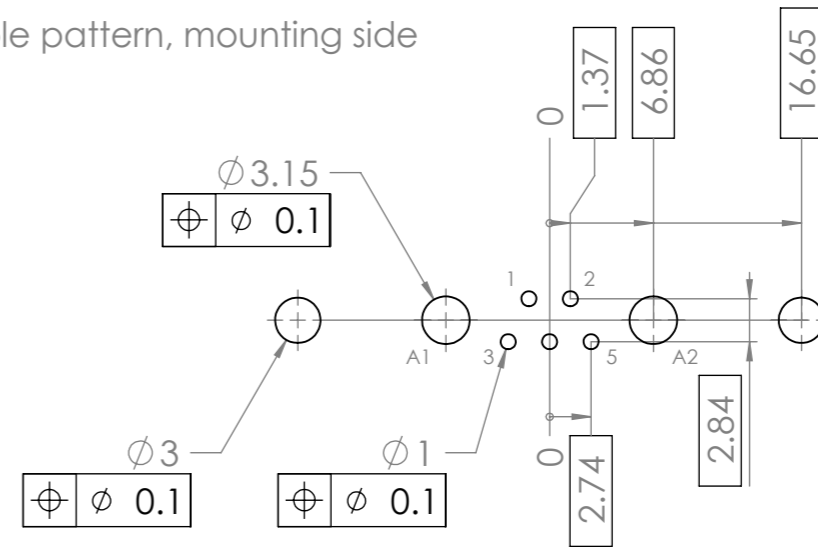


COMMENT:
ALL RIGHTS ARE RESERVED BY US FOR THIS DRAWING. WITHOUT OUR PRIOR CONSENT,
IT MAY NEITHER BE DUPLICATED NOR MADE AVAILABLE TO A THIRD PARTY.
AND IT ALSO MAY NOT BE IMPROPERLY USED BY THE RECEIVER, OR A THIRD PARTY.



PCB hole pattern, mounting side



RoHS compliant
by exemption

5	2	Snap-in bolt	PCB 1.6mm / Brass	tin plated
4	2	High power contact	FMP010P104	20A
3	5	Signal contact	P1 / Brass	0.8µm Au
2	1	Shell	Steel	tin plated
1	1	Insulator	PBT (-55°C - +130°C)	green
No.	St.	Part	Type Description/Material	Surface plating/Colour/Class

SYMBOLS					THIS DRAWING CONTAINS INFORMATION THAT IS PROPRIETARY TO MOLEX ELECTRONIC TECHNOLOGIES, LLC AND SHOULD NOT BE USED WITHOUT WRITTEN PERMISSION				
▽ = 0	▽ = 0	▽ = 0	▽ = 0	▽ = 0	DIMENSION UNITS	SCALE	MEASUREMENTS WITHOUT TOLERANCE ACC. TO ISO 2768-m		
▽ = 0	▽ = 0	▽ = 0	▽ = 0	▽ = 0	mm	2:1	CURRENT REVISION		
▽ = 0	▽ = 0	▽ = 0	▽ = 0	▽ = 0			DRWN: DRAWN BY	t Schneider01	30-01-2020
▽ = 0	▽ = 0	▽ = 0	▽ = 0	▽ = 0			APPR: APPR BY	FVetter	06-02-2020
▽ = 0	▽ = 0	▽ = 0	▽ = 0	▽ = 0	2	24130	INITIAL REVISION		
▽ = 0	▽ = 0	▽ = 0	▽ = 0	▽ = 0	1		DRWN: DRAWN BY	sschref	10-01-2005
▽ = 0	▽ = 0	▽ = 0	▽ = 0	▽ = 0	REV.	CH.-NO.	APPR: APPR BY	aschiekofer	10-01-2005
▽ = 0	▽ = 0	▽ = 0	▽ = 0	▽ = 0	REPLACEMENT FOR:		THIRD ANGLE PROJECTION	DRAWING	A3-SIZE
▽ = 0	▽ = 0	▽ = 0	▽ = 0	▽ = 0				DOCUMENT NUMBER	FM7W2P1-1410
▽ = 0	▽ = 0	▽ = 0	▽ = 0	▽ = 0				CUSTOMER	GENERAL MARKET
▽ = 0	▽ = 0	▽ = 0	▽ = 0	▽ = 0				MATERIAL NUMBER	1731071111
▽ = 0	▽ = 0	▽ = 0	▽ = 0	▽ = 0				REVISION	2
▽ = 0	▽ = 0	▽ = 0	▽ = 0	▽ = 0				PRODUCT CUSTOMER DRAWING	
▽ = 0	▽ = 0	▽ = 0	▽ = 0	▽ = 0				FCT D-Sub Mixed-Layout Connector	

molex

FCT D-Sub Mixed-Layout Connector

PRODUCT CUSTOMER DRAWING

MATERIAL NUMBER

1731071111

REVISION

2

DOCUMENT NUMBER

FM7W2P1-1410

CUSTOMER

GENERAL MARKET

SHEET NUMBER

1 OF 1