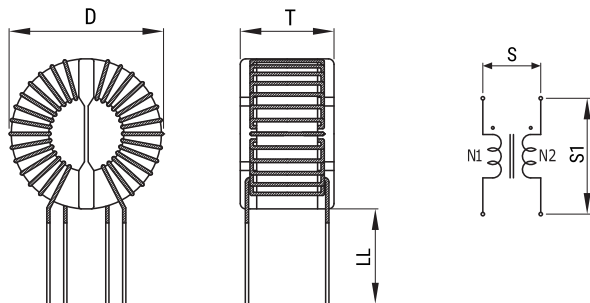


**KEMET Part Number: SC-02-10GS**  
(UALSC0210GS000)

KEMET, SC-G/GS, AC Line Filters, Common Mode, 1000 uH



**Dimensions**

<b>D</b>	15mm MAX
<b>T</b>	8.5mm MAX
<b>LL</b>	15mm +/-2mm
<b>S</b>	6mm NOM

**Packaging Specifications**

<b>Packaging:</b>	Bulk
<b>Packaging Quantity:</b>	3000
<b>Weight:</b>	3 g

**General Information**

<b>Series:</b>	SC-G/GS
<b>Style:</b>	Through-Hole
<b>RoHS:</b>	Yes
<b>Notes:</b>	Lead Spacing (S/S1) Are For Reference Only.
<b>Miscellaneous:</b>	Temperature Rise Maximum: 40 K

**Specifications**

<b>Voltage AC:</b>	250 VAC
<b>Inductance:</b>	1 mH (1 kHz)
<b>Current:</b>	2 A
<b>Temperature Range:</b>	-25/+105°C
<b>DC Resistance:</b>	80 mOhms