

MAX9271

16-Bit GMSL Serializer with Coax or STP Cable Drive

General Description

The MAX9271 compact serializer is designed to drive 50Ω coax or 100Ω shielded twisted-pair (STP) cable. The device pairs with the MAX9272 deserializer.

The parallel input is programmable for single or double input. Double input allows higher pixel clock input frequency by registering two pixels of typical image-sensor video data before serializing. This doubles the maximum pixel clock frequency compared to single input.

The device features an embedded control channel that operates at 9.6kbps to 1Mbps in UART and mixed UART/I²C modes, and up to 400kbps in I²C mode. Using the control channel, a microcontroller (μC) is capable of programming serializer, deserializer, and camera (or any peripheral) registers at any time, independent of video timing. There is one dedicated GPIO, four optional GPIOs, and a GPO output, allowing remote power-up of a camera module, camera frame synchronization, and other uses. Error-detection and correction coding are programmable.

For driving longer cables, the device has programmable pre/deemphasis. Programmable spread spectrum is available on the serial output. The serial output meets ISO 10605 and IEC 61000-4-2 ESD standards. The core supply range is 1.7V to 1.9V and the I/O supply range is 1.7V to 3.6V. The device is available in a 32-pin (5mm x 5mm) TQFN-EP package with 0.5mm lead pitch and operates over the -40°C to +105°C temperature range.

Applications

Automotive Camera Systems

Ordering Information and Typical Application Circuit appear at end of data sheet.

Benefits and Features

- ◆ **Ideal for Camera Applications**
 - ◇ Drives Low-Cost 50Ω Coax Cable and FAKRA Connectors or 100Ω STP
 - ◇ Error Detection/Correction
 - ◇ 9.6kbps to 1Mbps Control Channel in I²C-to-I²C Mode with Clock Stretch Capability
 - ◇ Best-in-Class Supply Current: 75mA (max)
 - ◇ Double-Rate Clock for Megapixel Cameras
 - ◇ Serializer Pre/Deemphasis Allows 15m Cable at Full Speed
 - ◇ 32-Pin (5mm x 5mm) TQFN Package with 0.5mm Lead Pitch
- ◆ **High-Speed Data Serialization for Megapixel Cameras**
 - ◇ Up to 1.5Gbps Serial-Bit Rate with Single or Double Input: 6.25MHz to 100MHz Clock
- ◆ **Multiple Control-Channel Modes for System Flexibility**
 - ◇ 9.6kbps to 1Mbps Control Channel in UART-to-UART or UART-to-I²C Modes
- ◆ **Reduces EMI and Shielding Requirements**
 - ◇ Output Programmable for 100mV to 500mV Single-Ended or 100mV to 400mV Differential
 - ◇ Programmable Spread Spectrum on the Serial Output Reduces EMI
 - ◇ Bypassable Input PLL for Parallel Clock Jitter Attenuation
 - ◇ Tracks Spread Spectrum on Parallel Input
- ◆ **Peripheral Features for Camera Power-Up and Verification**
 - ◇ Built-In PRBS Generator for BER Testing of the Serial Link
 - ◇ Up to Five GPIO Ports
 - ◇ Dedicated “Up/Down” GPO for Camera Frame Sync Trigger and Other Uses
 - ◇ Remote/Local Wake-Up from Sleep Mode
- ◆ **Meets Rigorous Automotive and Industrial Requirements**
 - ◇ -40°C to +105°C Operating Temperature
 - ◇ ±10kV Contact and ±15kV IEC 61000-4-2 ESD Protection
 - ◇ ±10kV Contact and ±30kV Air ISO 10605 ESD Protection

For related parts and recommended products to use with this part, refer to www.maximintegrated.com/MAX9271.related.

For pricing, delivery, and ordering information, please contact Maxim Direct at 1-888-629-4642, or visit Maxim’s website at www.maximintegrated.com.

MAX9271

16-Bit GMSL Serializer with Coax or STP Cable Drive

TABLE OF CONTENTS

General Description	1
Applications	1
Benefits and Features	1
Absolute Maximum Ratings	6
Package Thermal Characteristics	6
DC Electrical Characteristics	6
Typical Operating Characteristics	10
Pin Configuration	11
Pin Description	11
Functional Diagram	13
Detailed Description	18
Register Mapping	18
Input Bit Map	18
Serial Link Signaling and Data Format	23
Reverse Control Channel	23
Data-Rate Selection	23
Control Channel and Register Programming	23
UART Interface	23
Interfacing Command-Byte-Only I ² C Devices with UART	26
UART Bypass Mode	26
I ² C Interface	27
START and STOP Conditions	27
Bit Transfer	27
Acknowledge	27
Slave Address	29
Bus Reset	29
Format for Writing	29
Format for Reading	30
I ² C Communication with Remote-Side Devices	30
I ² C Address Translation	30
I ² C Broadcast Mode	30
GPO/GPI Control	31
Pre/Deemphasis Driver	31
Spread Spectrum	31
Manual Programming of the Spread-Spectrum Divider	32
Additional Error Detection and Correction	32
Cyclic Redundancy Check (CRC)	33

MAX9271

16-Bit GMSL Serializer with Coax or STP Cable Drive

TABLE OF CONTENTS (continued)

Hamming Code	33
HS/VS Encoding and/or Tracking	33
Serial Output	33
Coax-Mode Splitter	34
Configuration Inputs (CONF1, CONF0)	34
Sleep Mode	34
Power-Down Mode	35
Configuration Link	35
Link Startup Procedure	35
Applications Information	37
PRBS Test	37
Error Generator	37
Dual μ C Control	37
Jitter-Filtering PLL	37
PCLKIN Spread Tracking	37
Changing the Clock Frequency	37
Providing a Frame Sync (Camera Applications)	37
Software Programming of the Device Addresses	37
Three-Level Configuration Inputs	38
Configuration Blocking	38
Compatibility with Other GMSL Devices	38
GPIOs	38
Local Control-Channel Enable (LCCEN)	38
Internal Input Pulldowns	39
Choosing I ² C/UART Pullup Resistors	39
AC-Coupling	39
Selection of AC-Coupling Capacitors	39
Power-Supply Circuits and Bypassing	39
Power-Supply Table	39
Cables and Connectors	39
Board Layout	40
ESD Protection	40
Typical Application Circuit	48
Ordering Information	48
Chip Information	48
Package Information	48
Revision History	49

MAX9271

16-Bit GMSL Serializer with Coax or STP Cable Drive

LIST OF FIGURES

Figure 1. Serial-Output Parameters	14
Figure 2. Output Waveforms at OUT+, OUT-	14
Figure 3. Single-Ended Output Template	14
Figure 4. Worst-Case Pattern Input	14
Figure 5. Parallel Clock Input Requirements	15
Figure 6. I ² C Timing Parameters	15
Figure 7. Differential Output Template	15
Figure 8. Input Setup and Hold Times	16
Figure 9. GPI-to-GPO Delay	16
Figure 10. Serializer Delay	17
Figure 11. Link Startup Time	17
Figure 12. Power-Up Delay	18
Figure 13. Single-Input Waveform (Latch on Rising Edge of PCLKIN Selected)	22
Figure 14. Single-Input Function Block	22
Figure 15. Double-Input Function Block	22
Figure 16. Double-Input Waveform (Latch on Rising Edge of PCLKIN Selected)	23
Figure 17. Serial-Data Format	24
Figure 18. GMSL UART Protocol for Base Mode	25
Figure 19. GMSL UART Data Format for Base Mode	25
Figure 20. SYNC Byte (0x79)	25
Figure 21. ACK Byte (0xC3)	25
Figure 22. Format Conversion Between GMSL UART and I ² C with Register Address (I ² CMETHOD = 0)	26
Figure 23. Format Conversion Between GMSL UART and I ² C with Register Address (I ² CMETHOD = 1)	27
Figure 24. START and STOP Conditions	28
Figure 25. Bit Transfer	28
Figure 26. Acknowledge	28
Figure 27. Slave Address	29
Figure 28. Format for I ² C Write	29
Figure 29. Format for Write to Multiple Registers	29
Figure 30. Format for I ² C Read	30
Figure 31. 2:1 Coax-Mode Splitter Connection Diagram	34
Figure 32. Coax-Mode Connection Diagram	34
Figure 33. State Diagram, All Applications	36
Figure 34. Human Body Model ESD Test Circuit	40
Figure 35. IEC 61000-4-2 Contact Discharge ESD Test Circuit	40
Figure 36. ISO 10605 Contact Discharge ESD Test Circuit	40

MAX9271

16-Bit GMSL Serializer with Coax or STP Cable Drive

LIST OF TABLES

Table 1. Power-Up Default Register Map (see Table 16)	19
Table 2. Input Map	21
Table 3. Data-Rate Selection Table	24
Table 4. I ² C Bit-Rate Ranges	30
Table 5. TP/Coax Drive Current (CMLLVL = 1000)	31
Table 6. Serial Output Spread	32
Table 7. Spread Limitations	32
Table 8. Modulation Coefficients and Maximum SDIV Settings.	33
Table 9. Configuration Input Map	34
Table 10. Startup Procedure for Video-Display Applications.	35
Table 11. Startup Procedure for Image-Sensing Applications.	36
Table 12. MAX9271 Feature Compatibility	38
Table 13. Double-Function Configuration.	38
Table 14. Typical Power-Supply Currents (Using Worst-Case Input Pattern).	39
Table 15. Suggested Connectors and Cables for GMSL.	39
Table 16. Register Table (see Table 1).	41

MAX9271

16-Bit GMSL Serializer with Coax or STP Cable Drive

ABSOLUTE MAXIMUM RATINGS*

AVDD to EP	-0.5V to +1.9V	Continuous Power Dissipation ($T_A = +70^\circ\text{C}$)
DVDD to EP	-0.5V to +1.9V	TQFN (derate 34.5mW/°C above +70°C).....
IOVDD to EP	-0.5V to +3.9V	Junction Temperature
OUT+, OUT- to EP	-0.5V to +1.9V	Operating Temperature Range.....
All other pins to EP.....	-0.5V to ($V_{IOVDD} + 0.5\text{V}$)	Storage Temperature Range.....
OUT+, OUT- short circuit to ground or supply	Continuous	Lead Temperature (soldering, 10s)
		Soldering Temperature (reflow)

*EP connected to PCB ground.

Stresses beyond those listed under "Absolute Maximum Ratings" may cause permanent damage to the device. These are stress ratings only, and functional operation of the device at these or any other conditions beyond those indicated in the operational sections of the specifications is not implied. Exposure to absolute maximum rating conditions for extended periods may affect device reliability.

PACKAGE THERMAL CHARACTERISTICS (Note 1)

TQFN

Junction-to-Ambient Thermal Resistance (θ_{JA})	29°C/W	Junction-to-Case Thermal Resistance (θ_{JC}).....	1.7°C/W
--	--------	--	---------

Note 1: Package thermal resistances were obtained using the method described in JEDEC specification JESD51-7, using a four-layer board. For detailed information on package thermal considerations, refer to www.maximintegrated.com/thermal-tutorial.

DC ELECTRICAL CHARACTERISTICS

($V_{AVDD} = V_{DVDD} = 1.7\text{V}$ to 1.9V , $V_{IOVDD} = 1.7\text{V}$ to 3.6V , $R_L = 100\Omega \pm 1\%$ (differential), EP connected to PCB ground (GND), $T_A = -40^\circ\text{C}$ to $+105^\circ\text{C}$, unless otherwise noted. Typical values are at $V_{AVDD} = V_{DVDD} = V_{IOVDD} = 1.8\text{V}$, $T_A = +25^\circ\text{C}$.)

PARAMETER	SYMBOL	CONDITIONS	MIN	TYP	MAX	UNITS	
SINGLE-ENDED INPUTS (LCCEN, DIN_, PCLKIN, HS, VS, MS/HVEN, PWDN)							
High-Level Input Voltage	V_{IH1}		0.65 x V_{IOVDD}			V	
Low-Level Input Voltage	V_{IL1}			0.35 x V_{IOVDD}		V	
Input Current	I_{IN1}	$V_{IN} = 0\text{V}$ to V_{IOVDD}	-10		20	μA	
THREE-LEVEL LOGIC INPUTS (CONF0, CONF1)							
High-Level Input Voltage	V_{IH}		0.7 x V_{IOVDD}			V	
Low-Level Input Voltage	V_{IL}			0.3 x V_{IOVDD}		V	
Midlevel Input Current	I_{INM}	(Note 2)	-10		+10	μA	
Input Current	I_{IN}		-150		+150	μA	
SINGLE-ENDED OUTPUT (GPO)							
High-Level Output Voltage	V_{OH1}	$I_{OUT} = -2\text{mA}$	V_{IOVDD} - 0.2			V	
Low-Level Output Voltage	V_{OL1}	$I_{OUT} = 2\text{mA}$		0.2		V	
Output Short-Circuit Current	I_{OS}	$V_O = 0\text{V}$	$V_{IOVDD} = 3.0\text{V}$ to 3.6V	16	35	64	mA
			$V_{IOVDD} = 1.7\text{V}$ to 1.9V	3	12	21	

MAX9271

16-Bit GMSL Serializer with Coax or STP Cable Drive

DC ELECTRICAL CHARACTERISTICS (continued)

($V_{AVDD} = V_{DVDD} = 1.7V$ to $1.9V$, $V_{IOVDD} = 1.7V$ to $3.6V$, $R_L = 100\Omega \pm 1\%$ (differential), EP connected to PCB ground (GND), $T_A = -40^\circ C$ to $+105^\circ C$, unless otherwise noted. Typical values are at $V_{AVDD} = V_{DVDD} = V_{IOVDD} = 1.8V$, $T_A = +25^\circ C$.)

PARAMETER	SYMBOL	CONDITIONS		MIN	TYP	MAX	UNITS
OPEN-DRAIN INPUTS/OUTPUTS (RX/SDA/EDC, TX/SCL/DBL, GPIO_)							
High-Level Input Voltage	V_{IH2}			0.7 x			V
Low-Level Input Voltage	V_{IL2}					0.3 x	V
Input Current	I_{IN2}	(Note 3)	RX/SDA, TX/SCL	-110		+1	μA
			GPIO_	-80		+1	
			EDC, DBL, BWS	-10		+20	
Low-Level Output Voltage	V_{OL2}	$I_{OUT} = 3mA$	$V_{IOVDD} = 1.7V$ to $1.9V$			0.4	V
			$V_{IOVDD} = 3.0V$ to $3.6V$			0.3	
DIFFERENTIAL SERIAL OUTPUTS (OUT+, OUT-)							
Differential Output Voltage	V_{OD}	Preemphasis off (Figure 1)		300	400	500	mV
		3.3dB preemphasis setting (Figure 2)		350		610	
		3.3dB deemphasis setting (Figure 2)		240		425	
Change in V_{OD} Between Complementary Output States	ΔV_{OD}					25	mV
Output Offset Voltage, $(V_{OUT+} + V_{OUT-})/2 = V_{OS}$	V_{OS}	Preemphasis off		1.1	1.4	1.56	V
Change in V_{OS} between Complementary Output States	ΔV_{OS}					25	mV
Output Short-Circuit Current	I_{OS}	V_{OUT+} or $V_{OUT-} = 0V$		-62			mA
		V_{OUT+} or $V_{OUT-} = 1.9V$				25	
Magnitude of Differential Output Short-Circuit Current	I_{OSD}	$V_{OD} = 0V$				25	mA
Output Termination Resistance (Internal)	R_O	From V_{OUT+} , V_{OUT-} to V_{AVDD}		45	54	63	Ω
SINGLE-ENDED SERIAL OUTPUTS (OUT+, OUT-)							
Single-Ended Output Voltage	V_{OUT}	Preemphasis off, high drive (Figure 3)		375	500	625	mV
		3.3dB preemphasis setting, high drive (Figure 2)		435		765	
		3.3dB deemphasis setting, high drive (Figure 2)		300		535	
Output Short-Circuit Current	I_{OS}	V_{OUT+} or $V_{OUT-} = 0V$		-69			mA
		V_{OUT+} or $V_{OUT-} = 1.9V$				32	
Output Termination Resistance (Internal)	R_O	From V_{OUT+} , V_{OUT-} to V_{AVDD}		45	54	63	Ω

MAX9271

16-Bit GMSL Serializer with Coax or STP Cable Drive

DC ELECTRICAL CHARACTERISTICS (continued)

($V_{AVDD} = V_{DVDD} = 1.7V$ to $1.9V$, $V_{IOVDD} = 1.7V$ to $3.6V$, $R_L = 100\Omega \pm 1\%$ (differential), EP connected to PCB ground (GND), $T_A = -40^\circ C$ to $+105^\circ C$, unless otherwise noted. Typical values are at $V_{AVDD} = V_{DVDD} = V_{IOVDD} = 1.8V$, $T_A = +25^\circ C$.)

PARAMETER	SYMBOL	CONDITIONS	MIN	TYP	MAX	UNITS
REVERSE CONTROL-CHANNEL RECEIVER OUTPUTS (OUT+, OUT-)						
High Switching Threshold	V_{CHR}				27	mV
Low Switching Threshold	V_{CLR}		-27			mV
POWER SUPPLY						
Worst-Case Supply Current (Figure 4)	I_{WCS}	Single input, BWS = 0	$f_{PCLKIN} = 25MHz$	44	65	mA
			$f_{PCLKIN} = 50MHz$	46	75	
		Double input, BWS = 0	$f_{PCLKIN} = 50MHz$	45	65	
			$f_{PCLKIN} = 100MHz$	56	75	
Sleep Mode Supply Current	I_{CCS}	Single wake-up receiver enabled		40	100	μA
Power-Down Supply Current	I_{CCZ}	$\overline{PWDN} = EP$		5	70	μA
ESD PROTECTION						
OUT+, OUT- (Note 4)	V_{ESD}	Human Body Model, $R_D = 1.5k\Omega$, $C_S = 100pF$		± 8		kV
		IEC 61000-4-2, $R_D = 330\Omega$, $C_S = 150pF$	Contact discharge	± 10		
			Air discharge	± 15		
		ISO 10605, $R_D = 2k\Omega$, $C_S = 330pF$	Contact discharge	± 10		
Air discharge	± 30					
All Other Pins (Note 5)	V_{ESD}	Human Body Model, $R_D = 1.5k\Omega$, $C_S = 100pF$		± 4		kV

AC ELECTRICAL CHARACTERISTICS

($V_{DVDD} = V_{AVDD} = 1.7V$ to $1.9V$, $V_{IOVDD} = 1.7V$ to $3.6V$, $R_L = 100\Omega \pm 1\%$ (differential), EP connected to PCB ground (GND), $T_A = -40^\circ C$ to $+105^\circ C$, unless otherwise noted. Typical values are at $V_{DVDD} = V_{AVDD} = V_{IOVDD} = 1.8V$, $T_A = +25^\circ C$.)

PARAMETER	SYMBOL	CONDITIONS	MIN	TYP	MAX	UNITS
CLOCK INPUT (PCLKIN)						
Clock Frequency	f_{PCLKIN}	BWS = 1, DRS = 1	6.25		12.5	MHz
		BWS = 0, DRS = 1	8.33		16.66	
		BWS = 1, DRS = 0	12.5		37.5	
		BWS = 0, DRS = 0	16.66		50	
		BWS = 1, DRS = 0, 15-bit double input	25		75	
		BWS = 0, DRS = 0, 11-bit double input	33.33		100	
Clock Duty Cycle	DC_	t_{HIGH}/t_T or t_{LOW}/t_T (Figure 5, Note 6)	35	50	65	%
Clock Transition Time	t_R, t_F	(Figure 5, Note 6)			4	ns
Clock Jitter	t_J	1.5Gbps bit rate, 300kHz sinusoidal jitter			800	ps (pk-pk)

MAX9271

16-Bit GMSL Serializer with Coax or STP Cable Drive

AC ELECTRICAL CHARACTERISTICS (continued)

($V_{DVDD} = V_{AVDD} = 1.7V$ to $1.9V$, $V_{IOVDD} = 1.7V$ to $3.6V$, $R_L = 100\Omega \pm 1\%$ (differential), EP connected to PCB ground (GND), $T_A = -40^\circ C$ to $+105^\circ C$, unless otherwise noted. Typical values are at $V_{DVDD} = V_{AVDD} = V_{IOVDD} = 1.8V$, $T_A = +25^\circ C$)

PARAMETER	SYMBOL	CONDITIONS	MIN	TYP	MAX	UNITS
I²C/UART AND GPIO PORT TIMING						
I ² C/UART Bit Rate			9.6		1000	kbps
Output Rise Time	t_R	30% to 70%, $C_L = 10pF$ to $100pF$, $1k\Omega$ pullup to IOVDD	20		120	ns
Output Fall Time	t_F	70% to 30%, $C_L = 10pF$ to $100pF$, $1k\Omega$ pullup to IOVDD.	20		120	ns
Input Setup Time	t_{SET}	I ² C only (Figure 6, Note 6)	100			ns
Input Hold Time	t_{HOLD}	I ² C only (Figure 6, Note 6)	0			ns
SWITCHING CHARACTERISTICS (Note 6)						
Differential Output Rise/Fall Time	t_R, t_F	20% to 80%, $V_{OD} \geq 400mV$, $R_L = 100\Omega$, serial-bit rate = 1.5Gbps			250	ps
Total Serial Output Jitter (Differential Output)	t_{TSOJ1}	1.5Gbps PRBS signal, measured at $V_{OD} = 0V$ differential, preemphasis disabled (Figure 7)		0.25		UI
Deterministic Serial Output Jitter (Differential Output)	t_{DSOJ2}	1.5Gbps PRBS signal, measured at $V_{OD} = 0V$ differential, preemphasis disabled (Figure 7)		0.15		UI
Total Serial Output Jitter (Single-Ended Output)	t_{TSOJ1}	1.5Gbps PRBS signal, measured at $V_O/2$, preemphasis disabled (Figure 3)		0.25		UI
Deterministic Serial Output Jitter (Single-Ended Output)	t_{DSOJ2}	1.5Gbps PRBS signal, measured at $V_O/2$, preemphasis disabled (Figure 3)		0.15		UI
Parallel Data Input Setup Time	t_{SET}	(Figure 8)	2			ns
Parallel Data Input Hold Time	t_{HOLD}	(Figure 8)	1			ns
GPI-to-GPO Delay	t_{GPIO}	Deserializer GPI to serializer GPO (Figure 9)			350	μs
Serializer Delay (Note 7)	t_{SD}	(Figure 10)	Spread spectrum enabled		6880	Bits
			Spread spectrum disabled		3040	
Link Start Time	t_{LOCK}	(Figure 11)			2	ms
Power-Up Time	t_{PU}	(Figure 12)			7	ms

Note 2: To provide a midlevel, leave the input open, or, if driven, put driver in high impedance. High-impedance leakage current must be less than $\pm 10\mu A$.

Note 3: I_{IN} min due to voltage drop across the internal pullup resistor.

Note 4: Specified pin to ground.

Note 5: Specified pin to all supply/ground.

Note 6: Guaranteed by design and not production tested.

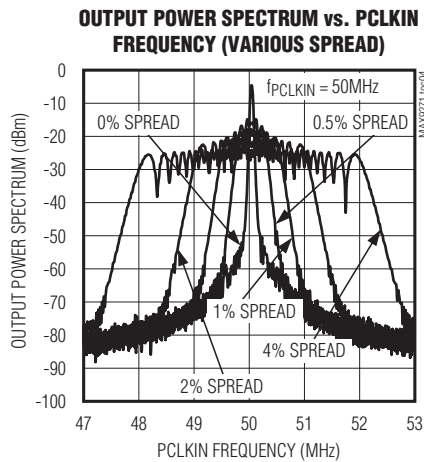
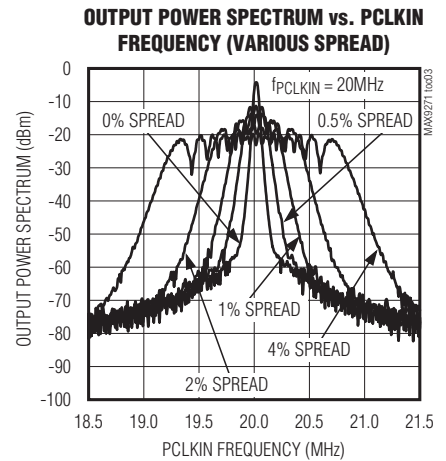
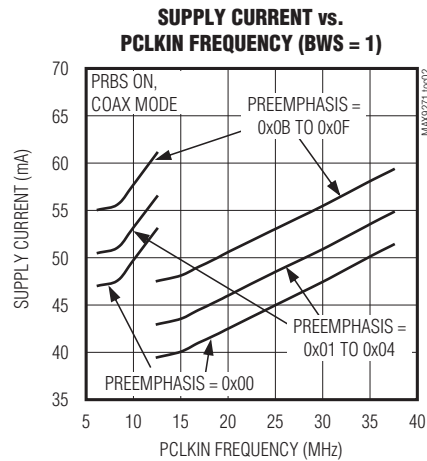
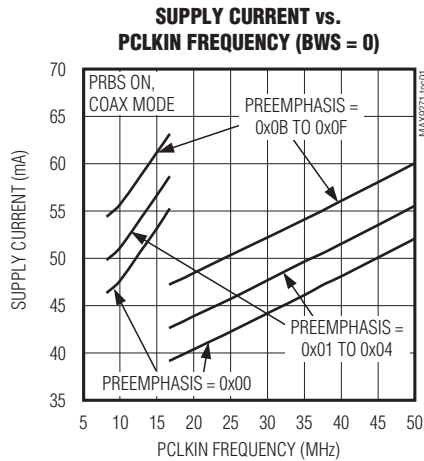
Note 7: Measured in serial link bit times. Bit time = $1/(30 \times f_{PCLKIN})$ for BWS = 0. Bit time = $1/(40 \times f_{PCLKIN})$ for BWS = 1.

MAX9271

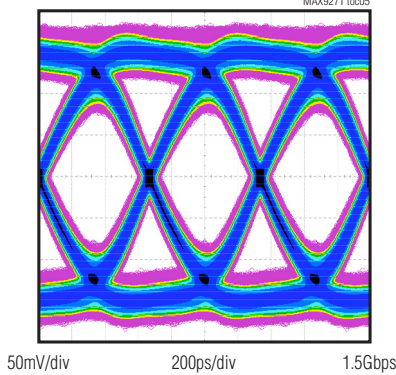
16-Bit GMSL Serializer with Coax or STP Cable Drive

Typical Operating Characteristics

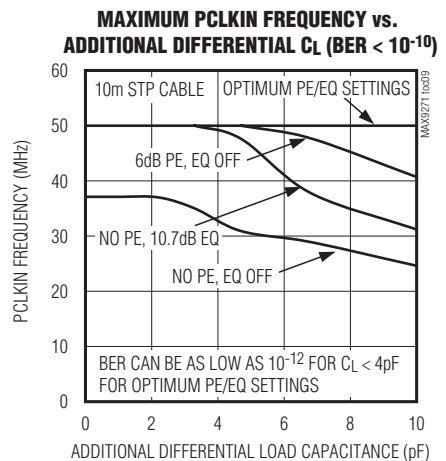
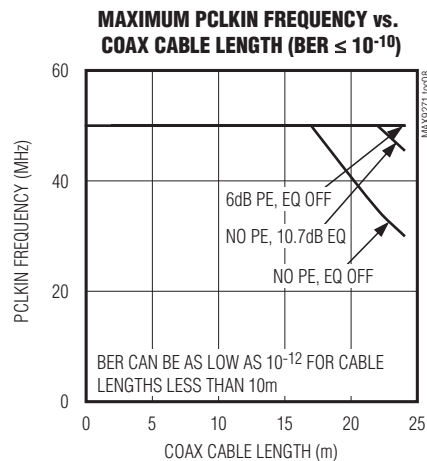
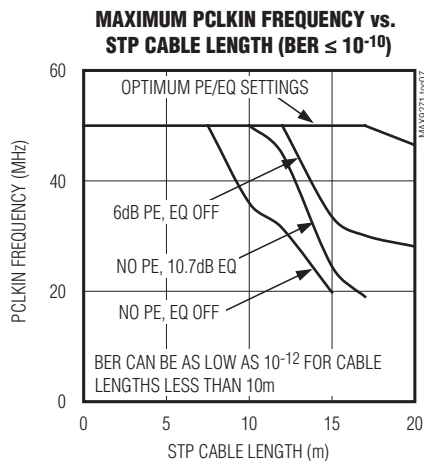
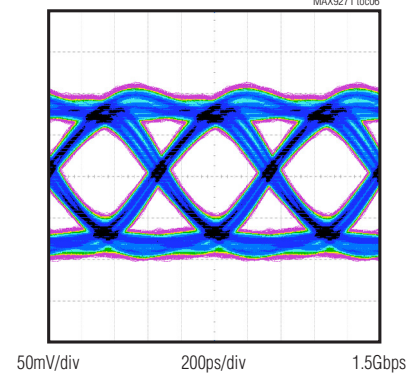
($V_{AVDD} = V_{DVDD} = V_{IOVDD} = 1.8V$, $DBL = low$, $T_A = +25^\circ C$, unless otherwise noted.)



SERIAL LINK SWITCHING PATTERN WITH 6dB PREAMPHASIS (PARALLEL BIT RATE = 50MHz, 10m STP CABLE)



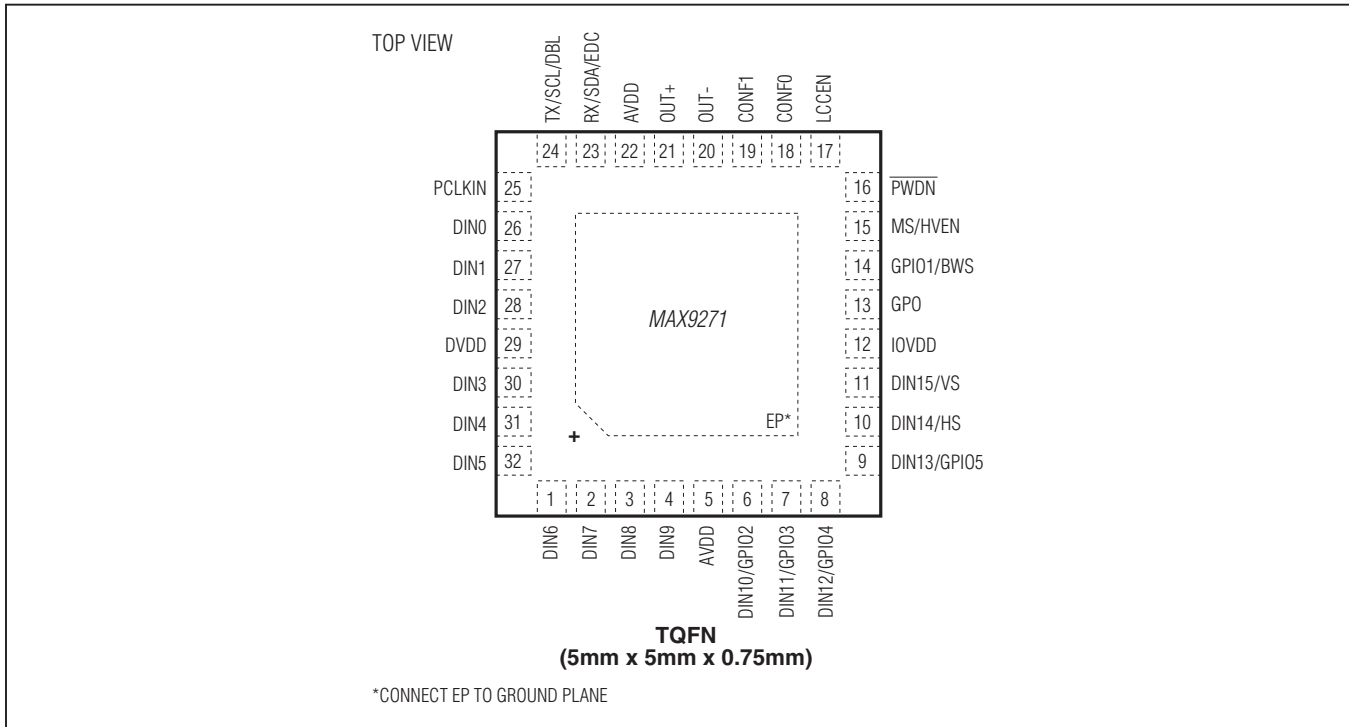
SERIAL LINK SWITCHING PATTERN WITH 6dB PREAMPHASIS (PARALLEL BIT RATE = 50MHz, 20m COAX CABLE)



MAX9271

16-Bit GMSL Serializer with Coax or STP Cable Drive

Pin Configuration



Pin Description

PIN	NAME	FUNCTION
1–4, 26, 27, 28, 30, 31, 32	DIN0–DIN9	Parallel Data Inputs with Internal Pulldown to EP
5, 22	AVDD	1.8V Analog Power Supply. Bypass AVDD to EP with 0.1 μ F and 0.001 μ F capacitors as close as possible to the device with the smaller capacitor closest to AVDD.
6–9	DIN10/ GPIO2–DIN13/ GPIO5	Parallel Data Inputs/GPIO. Defaults to parallel data input on power-up. Parallel data input has internal pulldown to EP. GPIO_ has an open-drain output with internal 60k Ω pullup to IOVDD. See Table 1 for programming details.
10	DIN14/HS	Parallel Data Input/Horizontal Sync with Internal Pulldown to EP. Defaults to parallel data input on power-up. Horizontal sync input when VS/HS encoding is enabled (Table 2).
11	DIN15/VS	Parallel Data Input/Vertical Sync with Internal Pulldown to EP. Defaults to parallel data input on power-up. Vertical sync input when VS/HS encoding is enabled (Table 2).
12	IOVDD	I/O Supply Voltage. 1.8V to 3.3V logic I/O power supply. Bypass IOVDD to EP with 0.1 μ F and 0.001 μ F capacitors as close as possible to the device with the smallest value capacitor closest to IOVDD.

MAX9271

16-Bit GMSL Serializer with Coax or STP Cable Drive

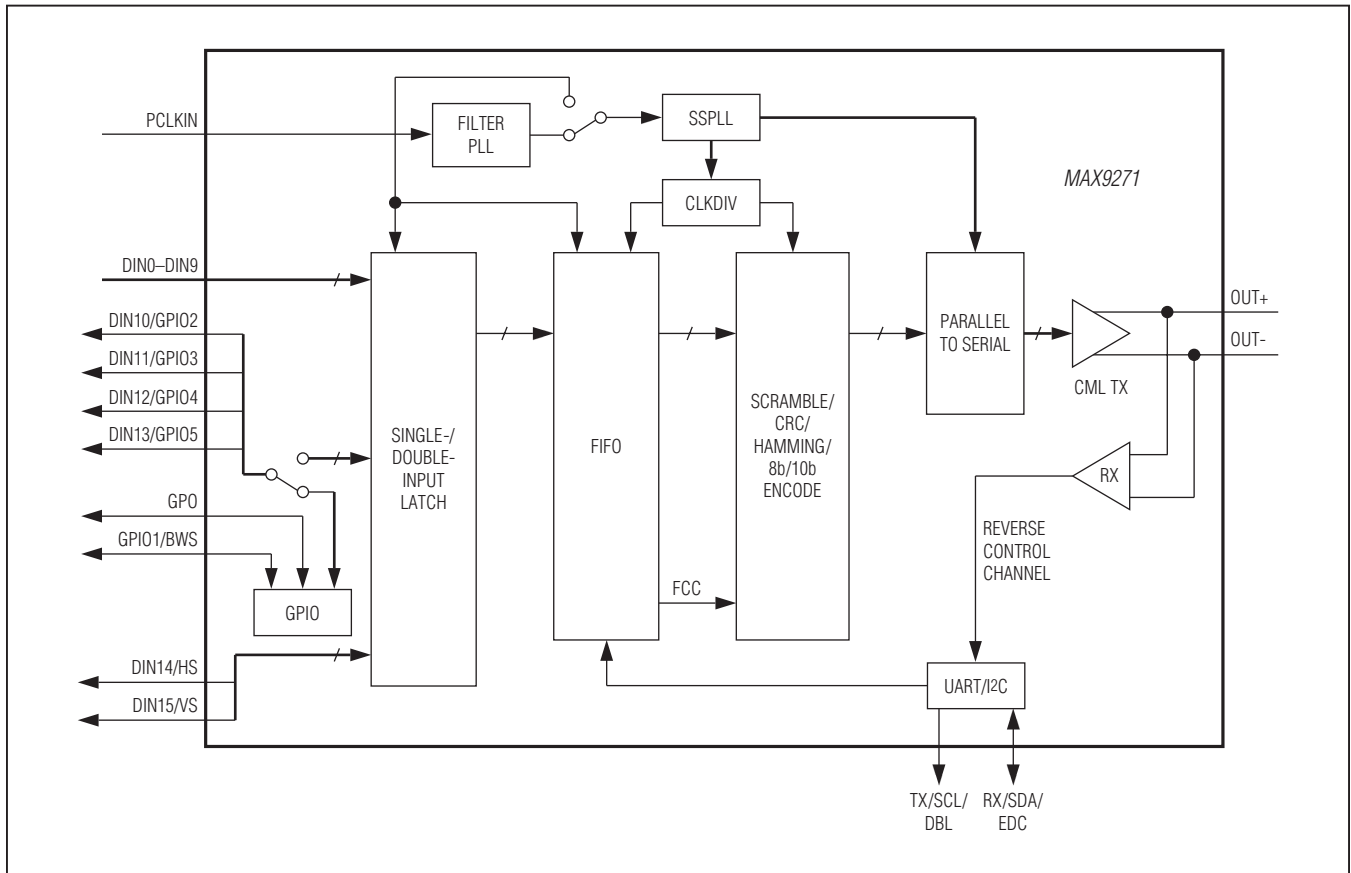
Pin Description (continued)

PIN	NAME	FUNCTION
13	GPO	General-Purpose Output. GPO follows the GMSL deserializer GPI (or INT) input. GPO = low upon power-up and when $\overline{\text{PWDN}}$ = low.
14	GPIO1/BWS	GPIO/Bus Width Select Input. Function is determined by the state of LCCEN (Table 13). GPIO1 (LCCEN = high): Open-drain, general-purpose input/output with internal 60k Ω pullup to IOVDD. BWS (LCCEN = low): Input with internal pulldown to EP. Set BWS = low for 22-bit input latch. Set BWS = high for 30-bit input latch.
15	MS/HVEN	Mode Select/HS and VS Encoding Enable with Internal Pulldown to EP. Function is determined by the state of LCCEN (Table 13). MS (LCCEN = high): Set MS = low to select base mode. Set MS = high to select the bypass mode. HVEN (LCCEN = low): Set HVEN = high to enable HS/VS encoding on DIN14/HS and DIN15/VS. Set HVEN = low to use DIN14/HS and DIN15/VS as parallel data inputs.
16	$\overline{\text{PWDN}}$	Active-Low, Power-Down Input with Internal Pulldown to EP. Set $\overline{\text{PWDN}}$ low to enter power-down mode to reduce power consumption.
17	LCCEN	Local Control-Channel Enable Input with Internal Pulldown to EP. LCCEN = high enables the control-channel interface pins. LCCEN = low disables the control-channel interface pins and selects an alternate function on the indicated pins (Table 13).
18	CONF0	Configuration 0. Three-level configuration input (Table 9).
19	CONF1	Configuration 1. Three-level configuration input (Table 9).
20	OUT-	Inverting Coax/Twisted-Pair Serial Output
21	OUT+	Noninverting Coax/Twisted-Pair Serial Output
23	RX/SDA/EDC	Receive/Serial Data/Error-Detection/Correction. Function is determined by the state of LCCEN (Table 13). RX/SDA (LCCEN = high): Input/output with internal 30k Ω pullup to IOVDD. In UART mode, RX/SDA is the Rx input of the serializer's UART. In I ² C mode, RX/SDA is the SDA input/output of the serializer's I ² C master/slave. RX/SDA has an open-drain driver and requires a pullup resistor. EDC (LCCEN = low): Input with internal pulldown to EP. Set EDC = high to enable error-detection correction. Set EDC = low to disable error-detection correction.
24	TX/SCL/DBL	Transmit/Serial Clock/Double Mode. Function is determined by the state of LCCEN (Table 13). TX/SCL (LCCEN = high): Input/output with internal 30k Ω pullup to IOVDD. In UART mode, TX/SCL is the Tx output of the serializer's UART. In the I ² C mode, TX/SCL is the SCL input/output of the serializer's I ² C master/slave. TX/SCL has an open-drain driver and requires a pullup resistor. DBL (LCCEN = low): Input with internal pulldown to EP. Set DBL = high to use double-input mode. Set DBL = low to use single-input mode.
25	PCLKIN	Parallel Clock Input with Internal Pulldown to EP. Latches parallel data inputs and provides the PLL reference clock.
29	DVDD	1.8V Digital Power Supply. Bypass DVDD to EP with 0.1 μ F and 0.001 μ F capacitors as close as possible to the device with the smaller value capacitor closest to DVDD.
—	EP	Exposed Pad. EP is internally connected to device ground. MUST connect EP to the PCB ground plane through an array of vias for proper thermal and electrical performance.

MAX9271

16-Bit GMSL Serializer with Coax or STP Cable Drive

Functional Diagram



MAX9271

16-Bit GMSL Serializer with Coax or STP Cable Drive

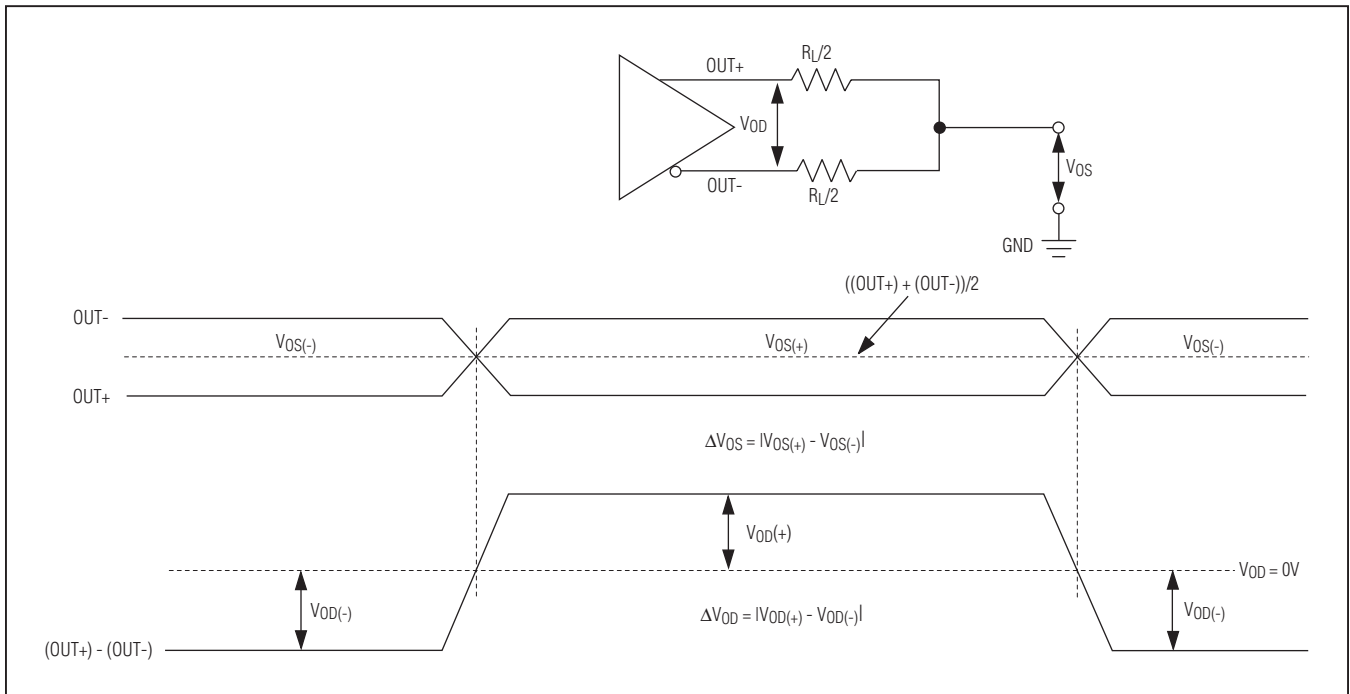


Figure 1. Serial-Output Parameters

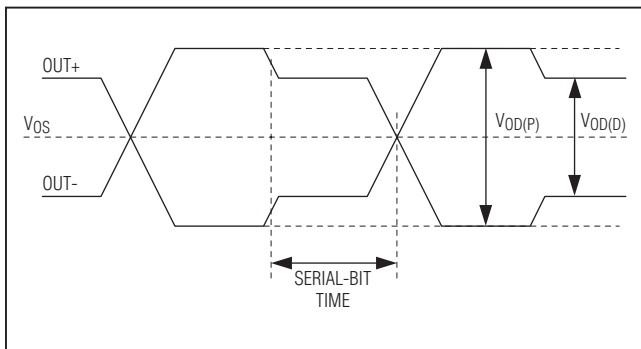


Figure 2. Output Waveforms at OUT+, OUT-

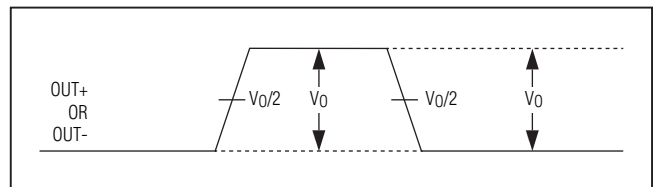


Figure 3. Single-Ended Output Template

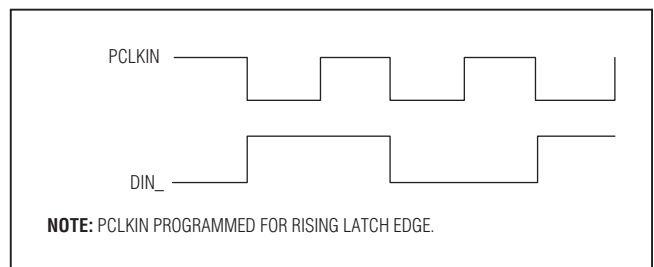


Figure 4. Worst-Case Pattern Input

MAX9271

16-Bit GMSL Serializer with Coax or STP Cable Drive

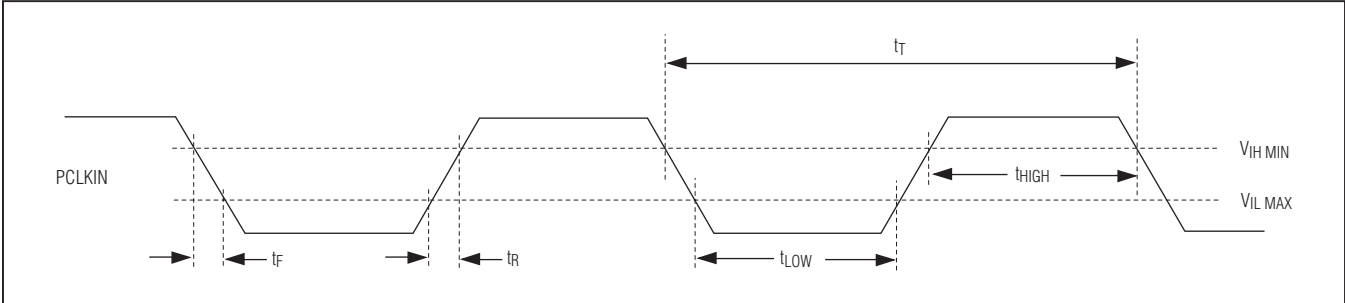


Figure 5. Parallel Clock Input Requirements

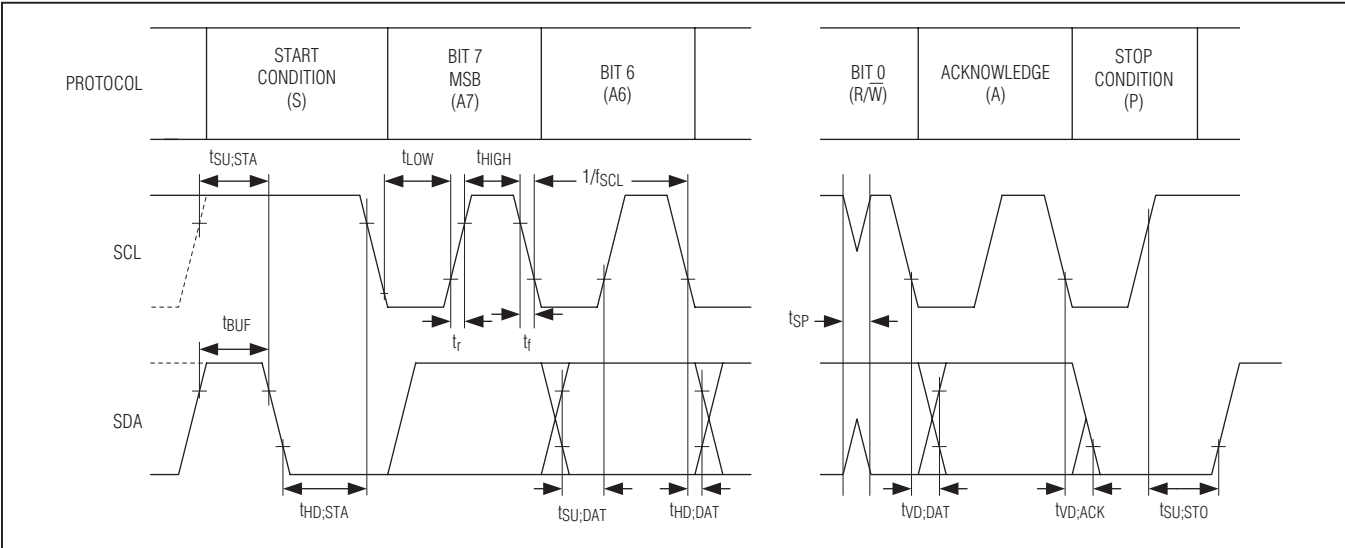


Figure 6. I²C Timing Parameters

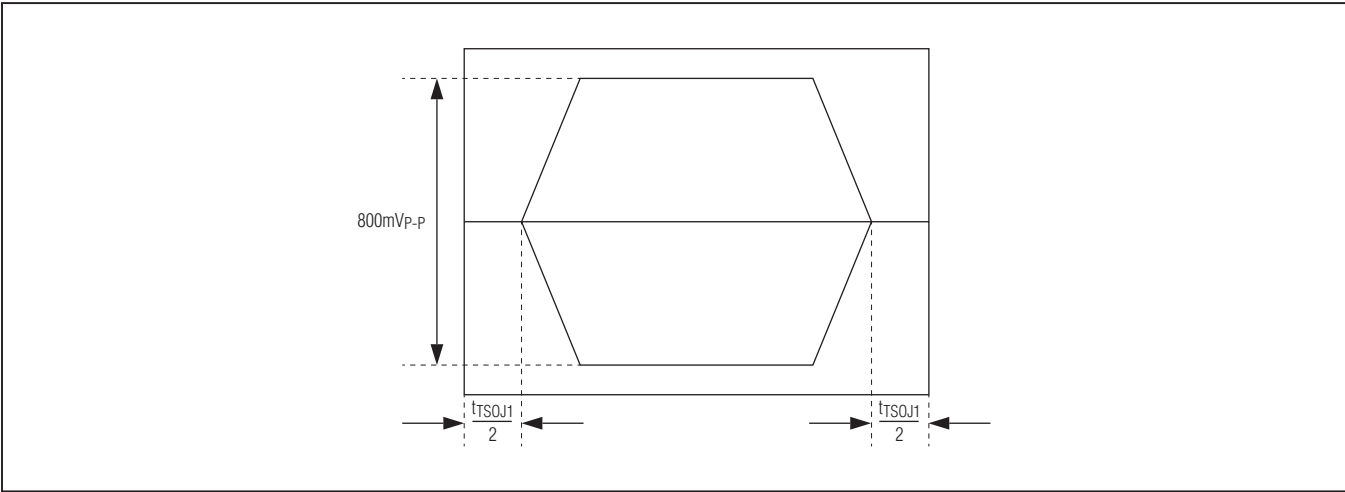


Figure 7. Differential Output Template

MAX9271

16-Bit GMSL Serializer with Coax or STP Cable Drive

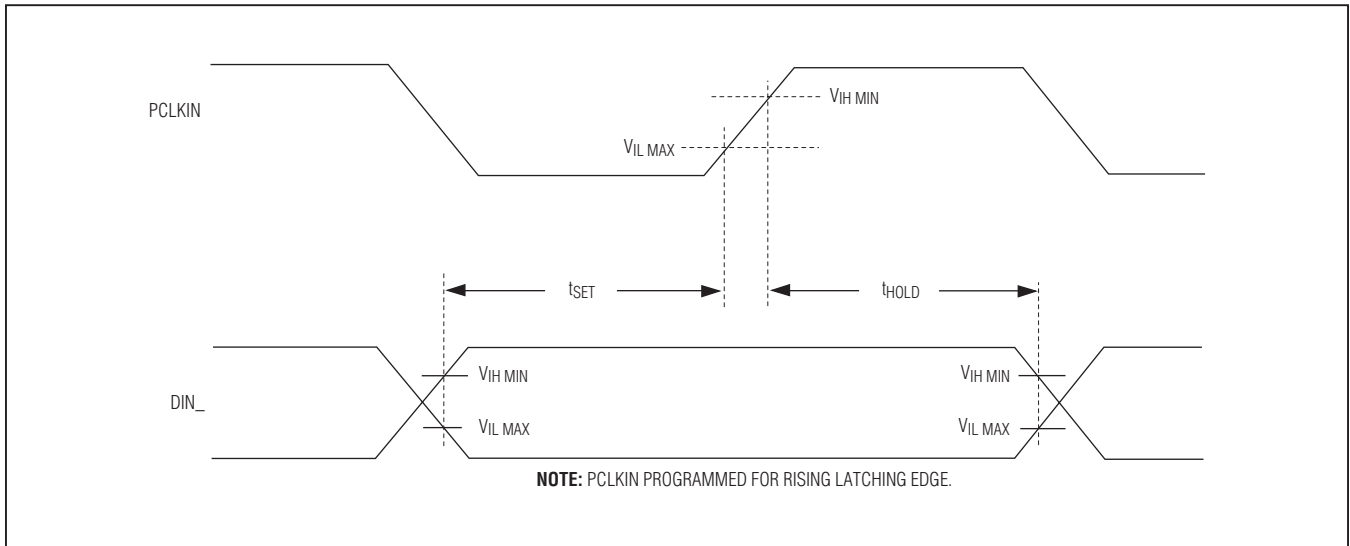


Figure 8. Input Setup and Hold Times

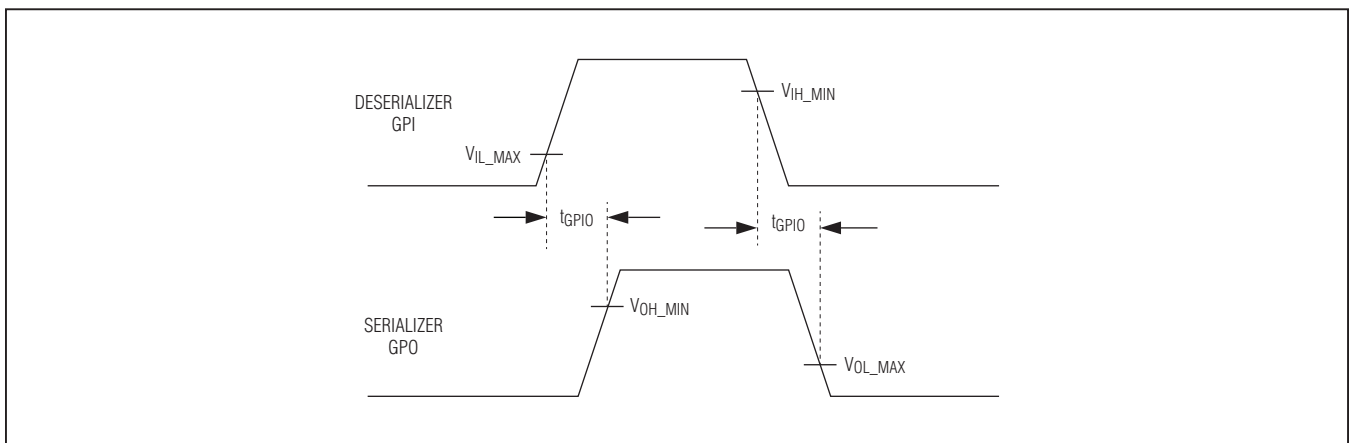


Figure 9. GPI-to-GPO Delay

MAX9271

16-Bit GMSL Serializer with Coax or STP Cable Drive

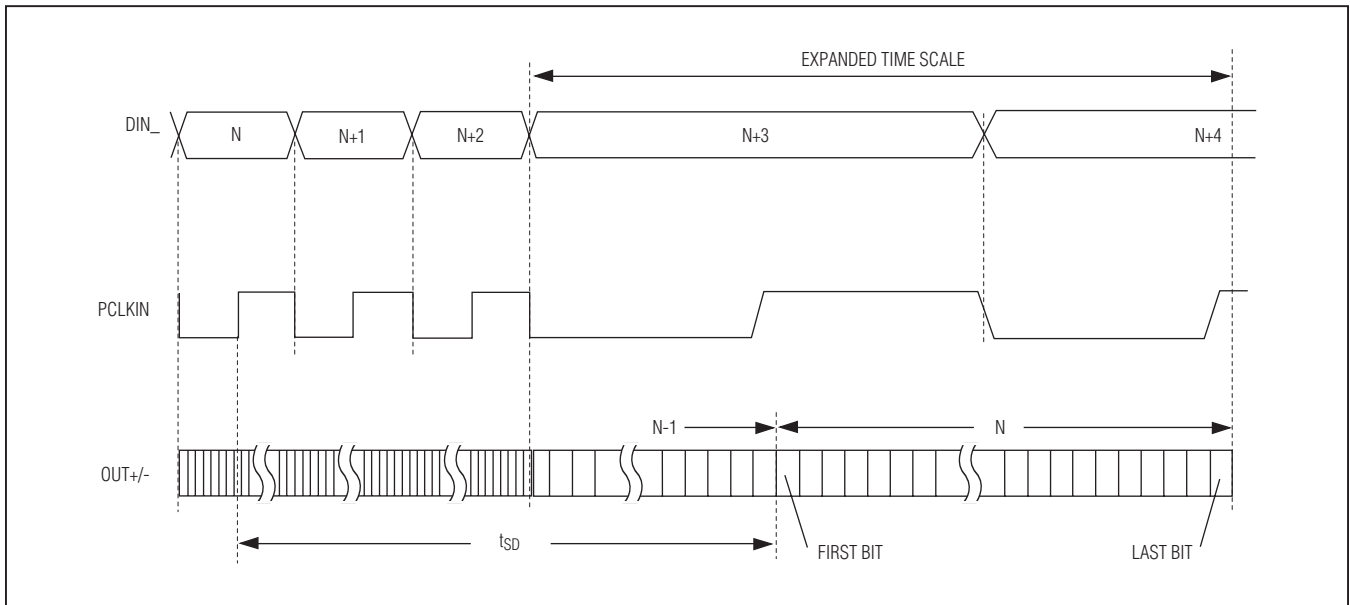


Figure 10. Serializer Delay

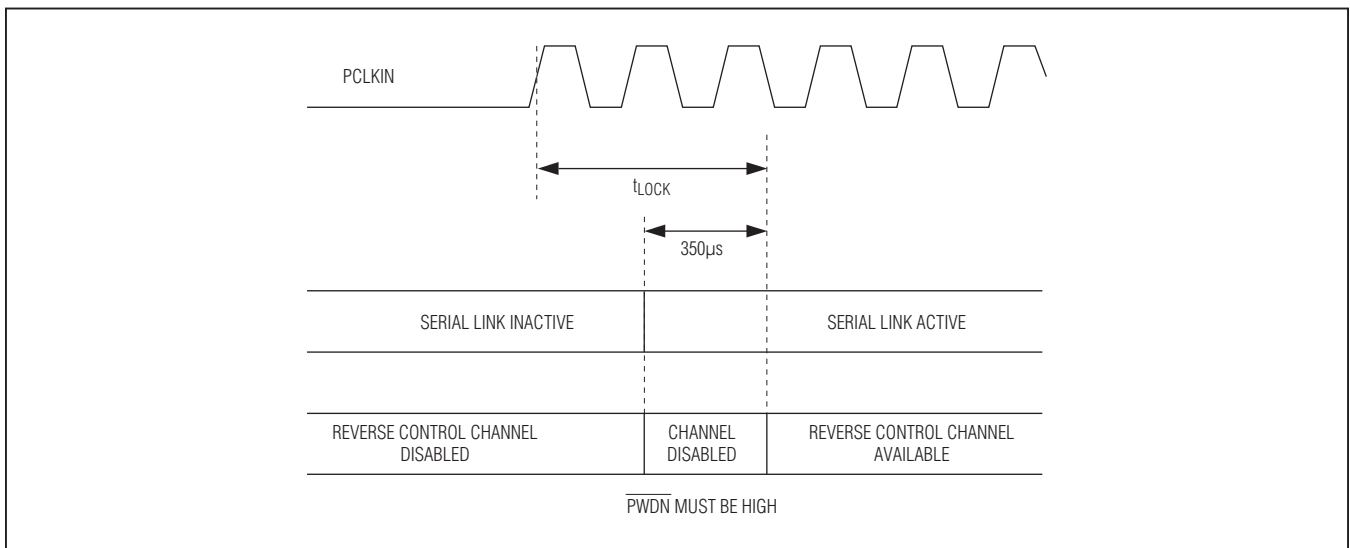


Figure 11. Link Startup Time

MAX9271

16-Bit GMSL Serializer with Coax or STP Cable Drive

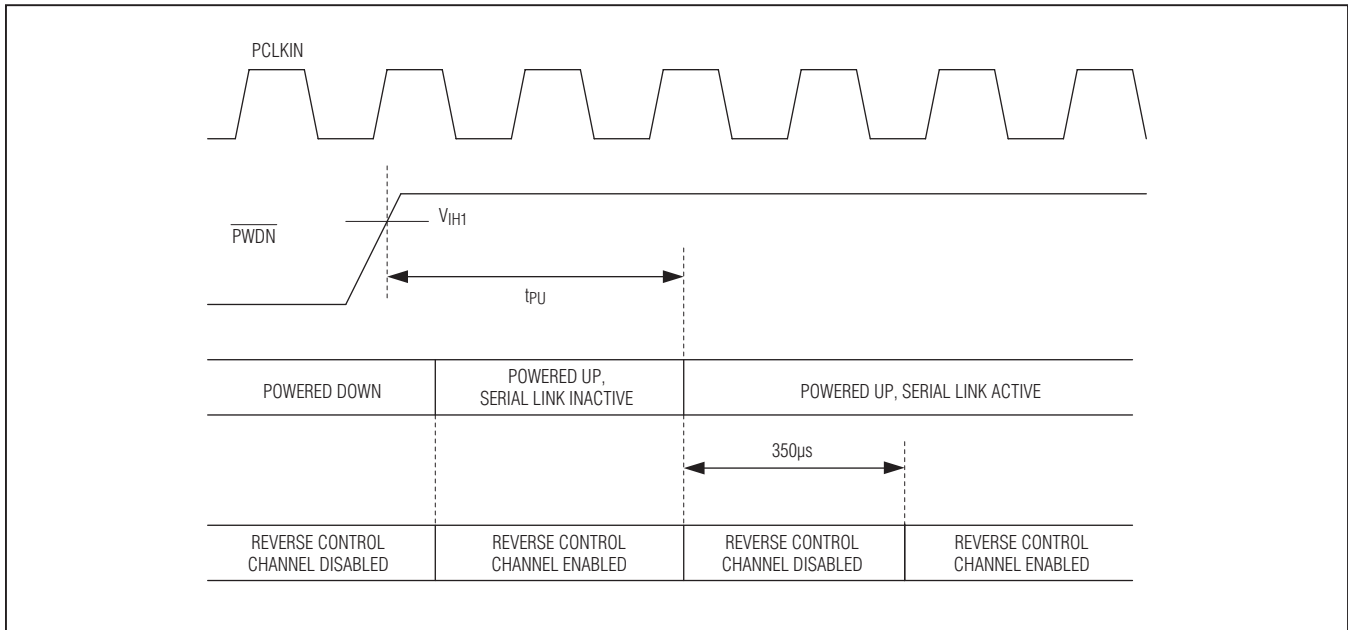


Figure 12. Power-Up Delay

Detailed Description

The MAX9271 serializer, when paired with the MAX9272 deserializer, provides the full set of operating features, but offers basic functionality when paired with any GMSL deserializer.

The serializer has a maximum serial-bit rate of 1.5Gbps for 15m or more of cable and operates up to a maximum input clock of 50MHz in 16-bit, single-input mode, or 75MHz/100MHz in 15-bit/11-bit, double-input mode, respectively. Pre/deemphasis, along with the GMSL deserializer channel equalizer, extends the link length and enhances link reliability.

The control channel enables a μ C to program serializer and deserializer registers and program registers on peripherals. The μ C can be located at either end of the link or at both ends. Two modes of control-channel operation are available with associated protocols and data formats. Base mode uses either I²C or GMSL UART protocol, while bypass mode uses a user-defined UART protocol.

Spread spectrum is available to reduce EMI on the serial output. The serial output complies with ISO 10605 and IEC 61000-4-2 ESD protection standards.

Register Mapping

Registers set the operating conditions of the serializer and are programmed using the control channel in base mode. The serializer holds its device address and the device address of the deserializer it is driving. Similarly, the driven deserializer holds its device address and the address of the serializer by which it is driven. Whenever a device address is changed, the new address should be written to both devices. The default device address of the MAX9271 serializer (or any GMSL serializer) is 0x80 and the default device address of any GMSL deserializer is 0x90 (Table 1). Registers 0x00 and 0x01 in both devices hold the device addresses.

Input Bit Map

The parallel input functioning and width depends on settings of the double-/single-input mode (DBL), HS/VS encoding (HVEN), error correction (EDC), and bus width (BWS) pins. DINA is the input latched by the pixel clock in single-input mode, or the inputs latched on the first pixel clock in double-input mode. DINB are the inputs latched on the second pixel clock in double-input mode. Table 2 lists the bit map for the control pin settings.

MAX9271

16-Bit GMSL Serializer with Coax or STP Cable Drive

Table 1. Power-Up Default Register Map (see Table 16)

REGISTER ADDRESS (hex)	POWER-UP DEFAULT (hex)	POWER-UP DEFAULT SETTINGS (MSB FIRST)
0x00	0x80	SERID = 1000000, serializer device address CFGBLOCK = 0, registers 0x00 to 0x1F are read/write
0x01	0x90	DESID = 1001000, deserializer device address RESERVED = 0
0x02	0x1F	SS = 000 no spread spectrum RESERVED = 1 PRNG = 11, automatically detect the pixel clock range SRNG = 11, automatically detect serial-data rate
0x03	0x00	AUTOFM = 00, calibrate spread-modulation rate only once after locking SDIV = 000000, autocalibrate sawtooth divider
0x04	0x87	SEREN = 1, serial link enabled CLINKEN = 0, configuration link disabled PRBSEN = 0, PRBS test disabled SLEEP = 0, sleep mode disabled (see the <i>Link Startup Procedure</i> section) INTTYPE = 01, local control channel uses UART REVCCEN = 1, reverse control channel active (receiving) FWDCEN = 1, forward control channel active (sending)
0x05	0x00	I2CMETHOD = 0, I ² C packets include register address ENJITFILT = 0, jitter filter disabled PRBSLEN = 00, continuous PRBS length RESERVED = 00 ENWAKEN = 0, OUT- wake-up receiver disabled ENWAKEP = 1, OUT+ wake-up receiver enabled
0x06	0x80, 0xA0	CMLLVL = 1000 or 1010, output level determined by the state of CONF1 and CONF0 at power-up PREEMP = 0000, preemphasis disabled
0x07	0xXX	DBL = 0 or 1, single-/double-input mode setting determined by the state of LCCEN and TX/SCL/DBL at startup DRS = 0, high data-rate mode BWS = 0 or 1, bit width setting determined by the state of LCCEN and GPIO1/BWS at startup ES = 0 or 1, edge-select input setting determined by the state of LCCEN and TX/SCL/ES at startup RESERVED = 0 HVEN = 0 or 1, HS/VS tracking encoding setting determined by the state of LCCEN and MS/HVEN at startup EDC = 00 or 10, error-detection/correction setting determined by the state of LCCEN and RX/SDA/EDC at startup
0x08	0x00	INVVS = 0, serializer does not invert VSYNC INVHS = 0, serializer does not invert HSYNC RESERVED = 000000

MAX9271

16-Bit GMSL Serializer with Coax or STP Cable Drive

Table 1. Power-Up Default Register Map (see Table 16) (continued)

REGISTER ADDRESS (hex)	POWER-UP DEFAULT (hex)	POWER-UP DEFAULT SETTINGS (MSB FIRST)
0x09	0x00	I2CSRCA = 0000000, I ² C address translator source A is 0x00 RESERVED = 0
0x0A	0x00	I2CDSTA = 0000000, I ² C address translator destination A is 0x00 RESERVED = 0
0x0B	0x00	I2CSRCA = 0000000, I ² C address translator source B is 0x00 RESERVED = 0
0x0C	0x00	I2CDSTB = 0000000, I ² C address translator destination B is 0x00 RESERVED = 0
0x0D	0xB6	I2CLOCKACK = 1, acknowledge generated when forward channel is not available I2CSLVSH = 01, 469ns/234ns I ² C setup/hold time I2CMSTBT = 101, 339kbps (typ) I ² C-to-I ² C master bit-rate setting I2CSLVTO = 10, 1024μs (typ) I ² C-to-I ² C slave remote timeout
0x0E	0x42	DIS_REV_P = 0, OUT+ reverse channel receiver enabled DIS_REV_N = 1, OUT- reverse channel receiver disabled GPIO5EN = 0, GPIO5 disabled GPIO4EN = 0, GPIO4 disabled GPIO3EN = 0, GPIO3 disabled GPIO2EN = 0, GPIO2 disabled GPIO1EN = 1, GPIO1 enabled RESERVED = 0
0x0F	0xFE	RESERVED = 11 GPIO5OUT = 1, GPIO5 set high GPIO4OUT = 1, GPIO4 set high GPIO3OUT = 1, GPIO3 set high GPIO2OUT = 1, GPIO2 set high GPIO1OUT = 1, GPIO1 set high SETGPO = 0, GPO set low
0x10	0x3E	RESERVED = 00 GPIO5IN = 1, GPIO5 is input high GPIO4IN = 1, GPIO4 is input high GPIO3IN = 1, GPIO3 is input high GPIO2IN = 1, GPIO2 is input high GPIO1IN = 1, GPIO1 is input high GPO_L = 0, GPO is set low
0x11	0x00	ERRGRATE = 00, generate an error every 2560 bits ERRGTYPE = 0, generate single-bit errors ERRGCNT = 00, continuously generate errors ERRGPER = 0, disable periodic error generation ERRGEN = 0, disable error generation

MAX9271

16-Bit GMSL Serializer with Coax or STP Cable Drive

Table 1. Power-Up Default Register Map (see Table 16) (continued)

REGISTER ADDRESS (hex)	POWER-UP DEFAULT (hex)	POWER-UP DEFAULT SETTINGS (MSB FIRST)
0x12	0x40	RESERVED = 01000000
0x13	0x22	RESERVED = 00100010
0x14	0xXX	RESERVED = XXXXXXXX
0x15	0x00	CXTP = 0, CXTP is low I2CSEL = 0, input is low LCCEN = 0, local control channel disabled RESERVED = 000 OUTPUTEN = 0, output disabled PCLKDET = 0, no valid PCLKIN detected
0x16	0xXX (read only)	RESERVED = XXXXXXXX
0x17	0xXX (read only)	RESERVED = XXXXXXXX
0x1E	0x09 (read only)	ID = 00001001, device ID is 0x09
0x1F	0x0X (read only)	RESERVED = 000 CAPS = 0, serializer is not HDCP capable REVISION = XXXX, revision number

X = Don't care.

Table 2. Input Map

EDC	BWS	DBL	HVEN	DINA	DINB*	SERIAL LINK WORD BITS
0	0	0	0	0:15	—	0:15
0	0	0	1	0:13, HS, VS	—	0:13
0	0	1	0	0:10	0:10	0:21
0	0	1	1	0:10, HS, VS	0:10, HS, VS	0:21
0	1	0	0	0:15	—	0:15
0	1	0	1	0:13, HS, VS	—	0:13
0	1	1	0	0:14	0:14	0:29
0	1	1	1	0:13, HS, VS	0:13, HS, VS	0:13, 15:28
1	0	0	0	0:15	—	0:15
1	0	0	1	0:13, HS, VS	—	0:13
1	0	1	0	0:7	0:7	0:15
1	0	1	1	0:7, HS, VS	0:7, HS, VS	0:13
1	1	0	0	0:15	—	0:15
1	1	0	1	0:13, HS, VS	—	0:13
1	1	1	0	0:11	0:11	0:23
1	1	1	1	0:11, HS, VS	0:11, HS, VS	0:23

*In double-input mode (DBL = 1), DINA is latched on the first cycle of PCLKIN and DINB is latched on the second cycle of PCLKIN.

MAX9271

16-Bit GMSL Serializer with Coax or STP Cable Drive

The parallel input has two input modes: single- and double-rate input. In single-input mode, LATCH A stores data from DIN_n every PCLKIN cycle (Figure 13). Parallel data from LATCH A is then sent to the scrambler for serialization (Figure 14). The device accepts pixel clocks from 6.25MHz to 50MHz.

In double-input mode, LATCH B stores two input words (Figure 15). Data from LATCH B is sent to the scrambler as a combined word. The MAX9272 deserializer outputs the combined word (single-output mode) or two half-sized words (double-output mode). The serializer/deserializer use pixel clock rates from 33.3MHz to 100MHz for 11-bit, double-input mode and 25MHz to 75MHz for 15-bit, double-input mode. See Figure 16 for timing details.

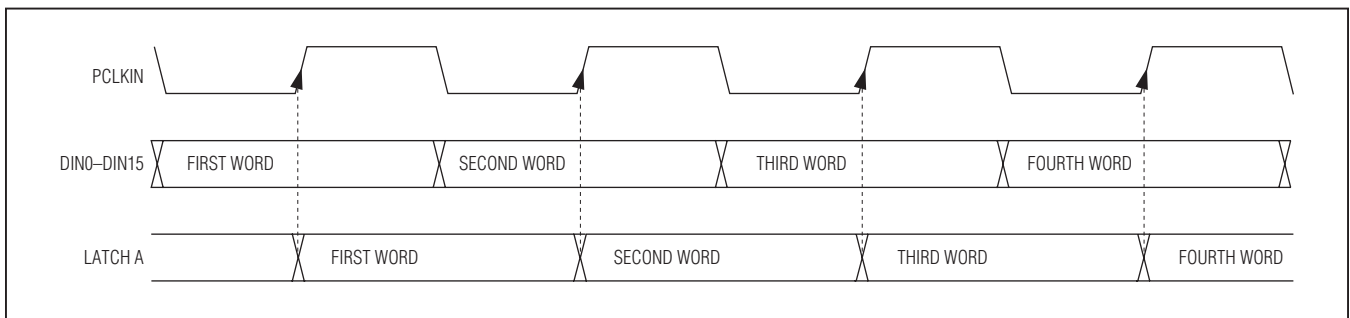


Figure 13. Single-Input Waveform (Latch on Rising Edge of PCLKIN Selected)

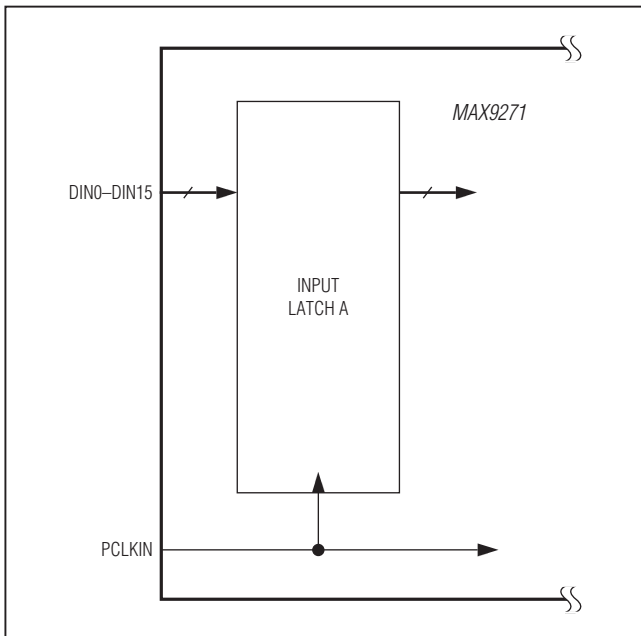


Figure 14. Single-Input Function Block

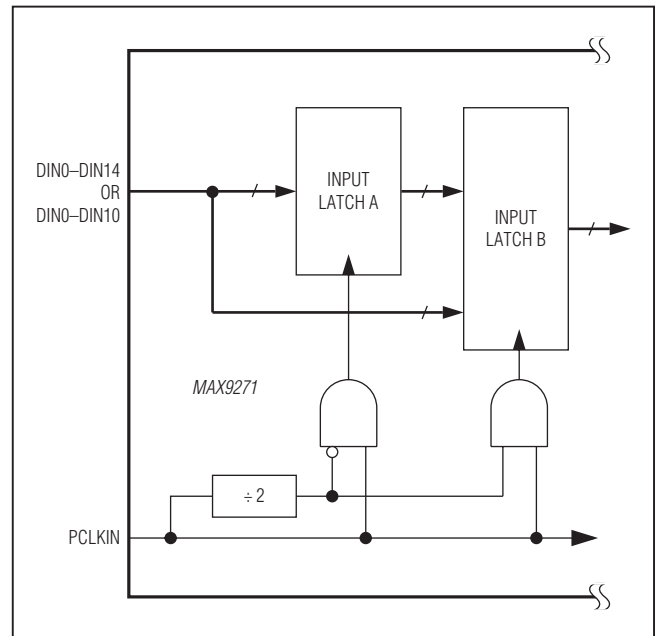


Figure 15. Double-Input Function Block

MAX9271

16-Bit GMSL Serializer with Coax or STP Cable Drive

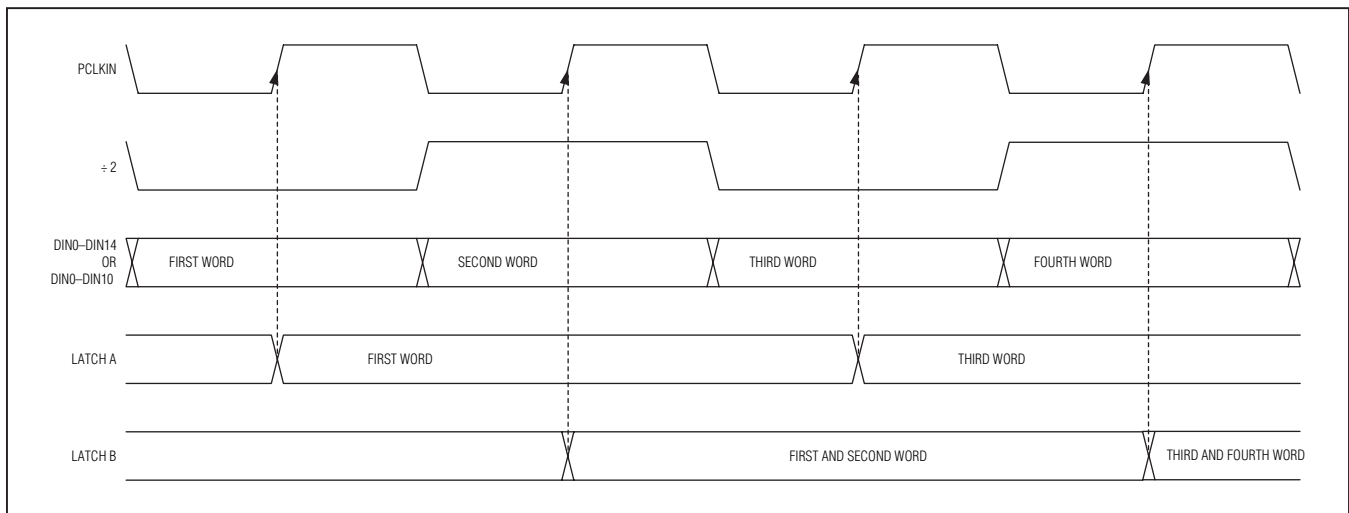


Figure 16. Double-Input Waveform (Latch on Rising Edge of PCLKIN Selected)

Serial Link Signaling and Data Format

The serializer uses differential CML signaling to drive twisted-pair cable and single-ended CML to drive coax cable. The output amplitude is programmable.

Input data is scrambled and then 8b/10b coded. The deserializer recovers the embedded serial clock, then samples, decodes, and descrambles the data. In 24-bit or 32-bit mode, 22 or 30 bits contain the video data and/or error-correction bits, if used. The 23rd or 31st bit carries the forward control-channel data. The last bit is the parity bit of the previous 23 or 31 bits. (Figure 17).

Reverse Control Channel

The serializer uses the reverse control channel to receive I²C/UART and GPO signals from the deserializer in the opposite direction of the video stream. The reverse control channel and forward video data coexist on the same serial cable, forming a bidirectional link. The reverse control channel operates independently from the forward control channel. The reverse control channel is available 2ms after power-up. The serializer temporarily disables the reverse control channel for 350 μ s after starting/stopping the forward serial link.

Data-Rate Selection

The serializer/deserializer use DRS, DBL, and BWS to set the PCLKIN frequency range (Table 3). Set DRS = 1 for a PCLKIN frequency range of 6.25MHz to 12.5MHz (32-bit, single-input mode) or 8.33MHz to 16.66MHz (24-bit, single-input mode). Set DRS = 0 for normal operation. It is not recommended to use double-input mode when DRS = 1.

Control Channel and Register Programming

The control channel is available for the μ C to send and receive control data over the serial link simultaneously with the high-speed data. The μ C controls the link from either the serializer or the deserializer side. The control channel between the μ C and serializer or deserializer runs in base mode or bypass mode, according to the mode selection (MS/HVEN) input of the device connected to the μ C. Base mode is a half-duplex control channel and bypass mode is a full-duplex control channel.

UART Interface

In base mode, the μ C is the host and can access the registers of both the serializer and deserializer from either side of the link using the GMSL UART protocol. The μ C can also program the peripherals on the remote side by sending the UART packets to the serializer or deserializer, with the UART packets converted to I²C by the device on the remote side of the link. The μ C communicates with a UART peripheral in base mode (through INTTYPE register settings), using the half-duplex default GMSL UART protocol of the serializer/deserializer. The device addresses of the serializer/deserializer in base mode are programmable. The default value is 0x80 for the serializer and 0x90 for the deserializer.

When the peripheral interface is I²C, the serializer/deserializer convert UART packets to I²C that have device addresses different from those of the serializer or deserializer. The converted I²C bit rate is the same as the original UART bit rate.

MAX9271

16-Bit GMSL Serializer with Coax or STP Cable Drive

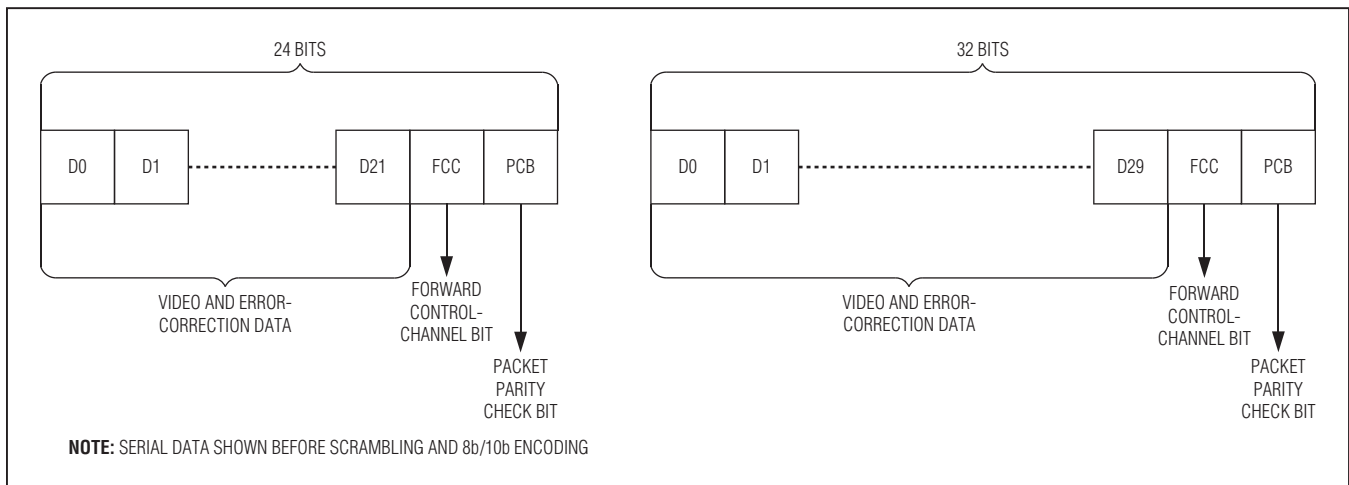


Figure 17. Serial-Data Format

Table 3. Data-Rate Selection Table

DRS SETTING	DBL SETTING	BWS SETTING	PCLKIN RANGE (MHz)
0	0 (single input)	0 (24-bit mode)	16.66 to 50
0	0	1 (32-bit mode)	12.5 to 35
0	1 (double input)	0	33.3 to 100
0	1	1	25 to 75
1	0	0	8.33 to 16.66
1	0	1	6.25 to 12.5
1	1	0	Do not use
1	1	1	Do not use

The deserializer uses differential line coding to send signals over the reverse channel to the serializer. The bit rate of the control channel is 9.6kbps to 1Mbps in both directions. The serializer/deserializer automatically detect the control-channel bit rate in base mode. Packet bit-rate changes can be made in steps of up to 3.5 times higher or lower than the previous bit rate. See the [Changing the Clock Frequency](#) section for more information on changing the control-channel bit rate.

[Figure 18](#) shows the UART protocol for writing and reading in base mode between the μ C and the serializer/deserializer.

[Figure 19](#) shows the UART data format. [Figure 20](#) and [Figure 21](#) detail the formats of the SYNC byte (0x79) and the ACK byte (0xC3). The μ C and the connected slave chip generate the SYNC byte and ACK byte, respectively. Events such as device wake-up and GPI

generate transitions on the control channel that can be ignored by the μ C. Data written to the serializer/deserializer registers do not take effect until after the ACK byte is sent. This allows the μ C to verify that write commands are received without error, even if the result of the write command directly affects the serial link. The slave uses the SYNC byte to synchronize with the host UART's data rate. If the GPI or MS/HVEN inputs of the deserializer toggle while there is control-channel communication, or if a line fault occurs, the control-channel communication is corrupted. In the event of a missed or delayed acknowledge (~1ms due to control-channel timeout), the μ C should assume there was an error in the packet when the slave device received it, or that an error occurred during the response from the slave device. In base mode, the μ C must keep the UART Tx/Rx lines high for 16 bit times before starting to send a new packet.

MAX9271

16-Bit GMSL Serializer with Coax or STP Cable Drive

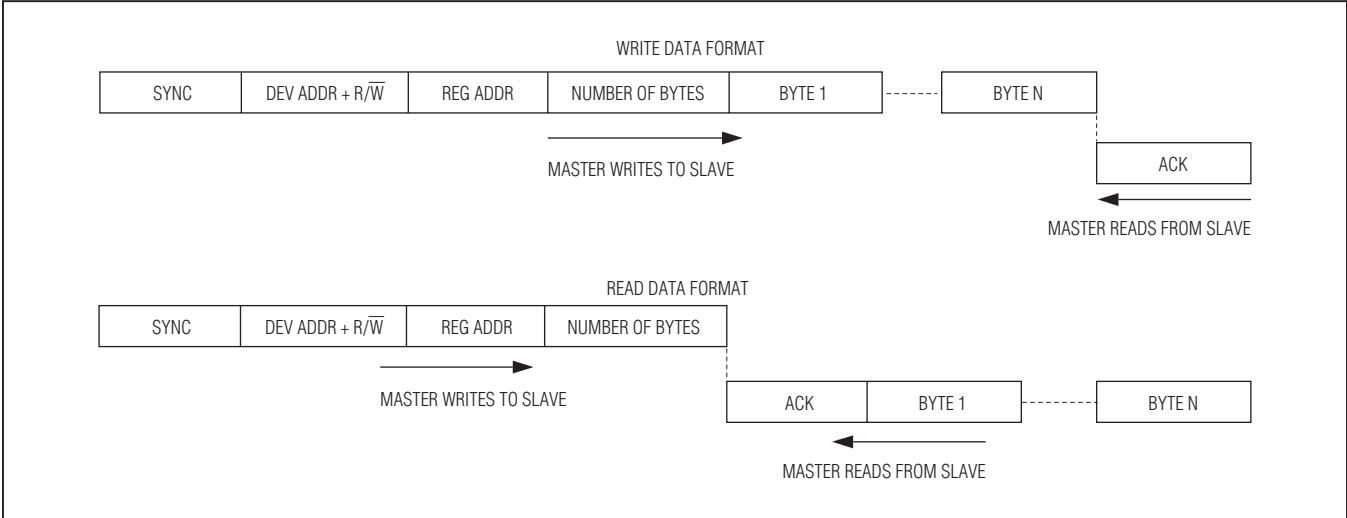


Figure 18. GMSL UART Protocol for Base Mode

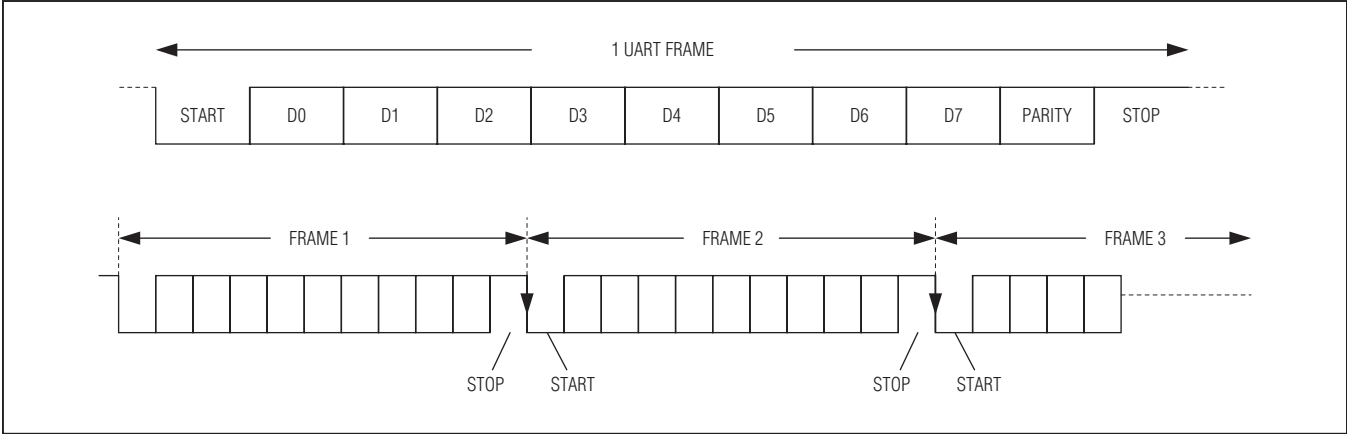


Figure 19. GMSL UART Data Format for Base Mode

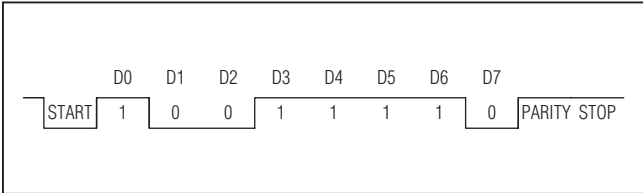


Figure 20. SYNC Byte (0x79)

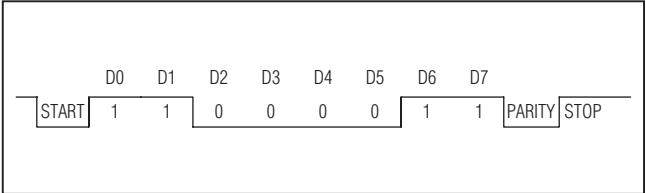


Figure 21. ACK Byte (0xC3)

MAX9271

16-Bit GMSL Serializer with Coax or STP Cable Drive

As shown in [Figure 22](#), the remote-side device converts packets going to or coming from the peripherals from UART format to I²C format and vice versa. The remote device removes the byte number count and adds or receives the ACK between the data bytes of I²C. The I²C bit rate is the same as the UART bit rate.

Interfacing Command-Byte-Only I²C Devices with UART

The serializer/deserializer UART-to-I²C conversion can interface with devices that do not require register addresses, such as the MAX7324 GPIO expander. In this mode, the I²C master ignores the register address byte and directly reads/writes the subsequent data bytes ([Figure 23](#)). Change the communication method of the I²C master using the I2CMETHOD bit. I2CMETHOD = 1 sets command-byte-only mode, while I2CMETHOD = 0 sets normal mode where the first byte in the data stream is the register address.

UART Bypass Mode

In bypass mode, the serializer/deserializer ignore UART commands from the μ C and the μ C communicates with the peripherals directly using its own defined UART protocol. The μ C cannot access the serializer/deserializer registers in this mode. Peripherals accessed through the forward control channel using the UART interface need to handle at least one PCLKIN period ± 10 ns of jitter due to the asynchronous sampling of the UART signal by PCLKIN. Set MS/HVEN = high to put the control channel into bypass mode. For applications with the μ C connected to the deserializer, there is a 1ms wait time between setting MS/HVEN high and the bypass control channel being active. There is no delay time when switching to bypass mode when the μ C is connected to the serializer. Do not send a logic-low value longer than 100 μ s to ensure proper GPO functionality. Bypass mode accepts bit rates down to 10kbps in either direction. See the [GPO/GPI Control](#) section for GPO functionality limitations. The control-channel data pattern should not be held low longer than 100 μ s if GPO control is used.

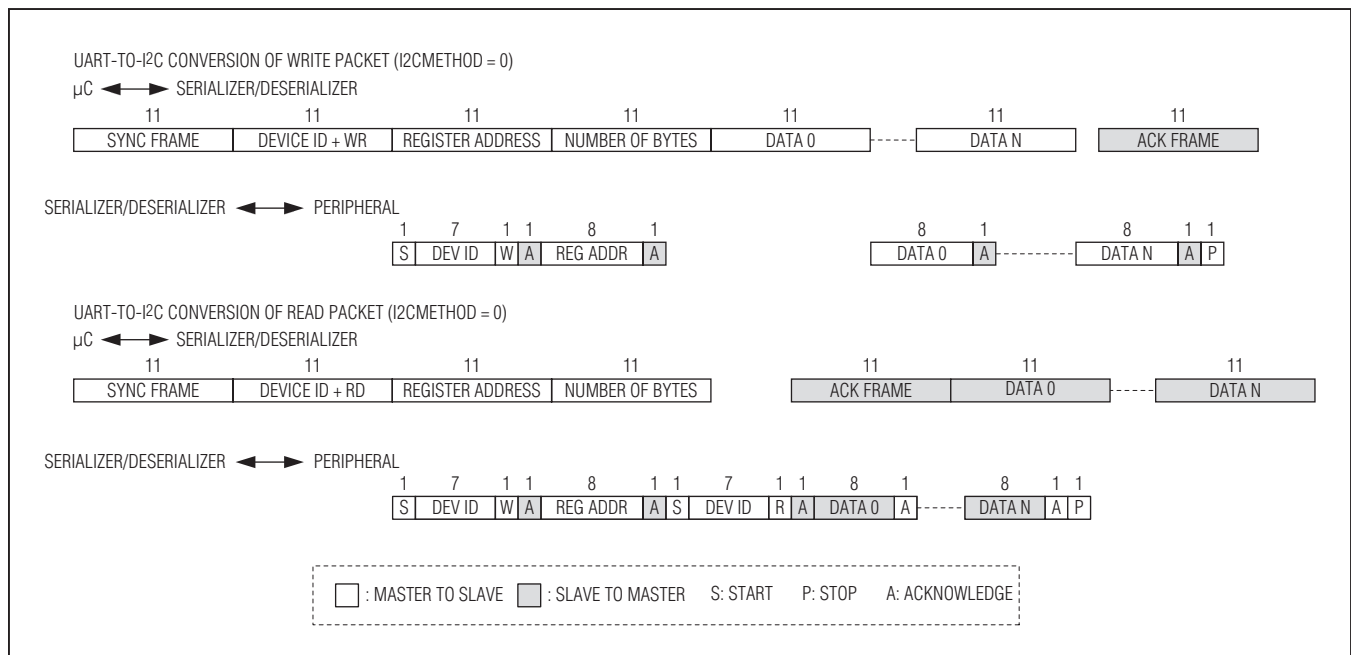


Figure 22. Format Conversion Between GMSL UART and I²C with Register Address (I2CMETHOD = 0)

MAX9271

16-Bit GMSL Serializer with Coax or STP Cable Drive

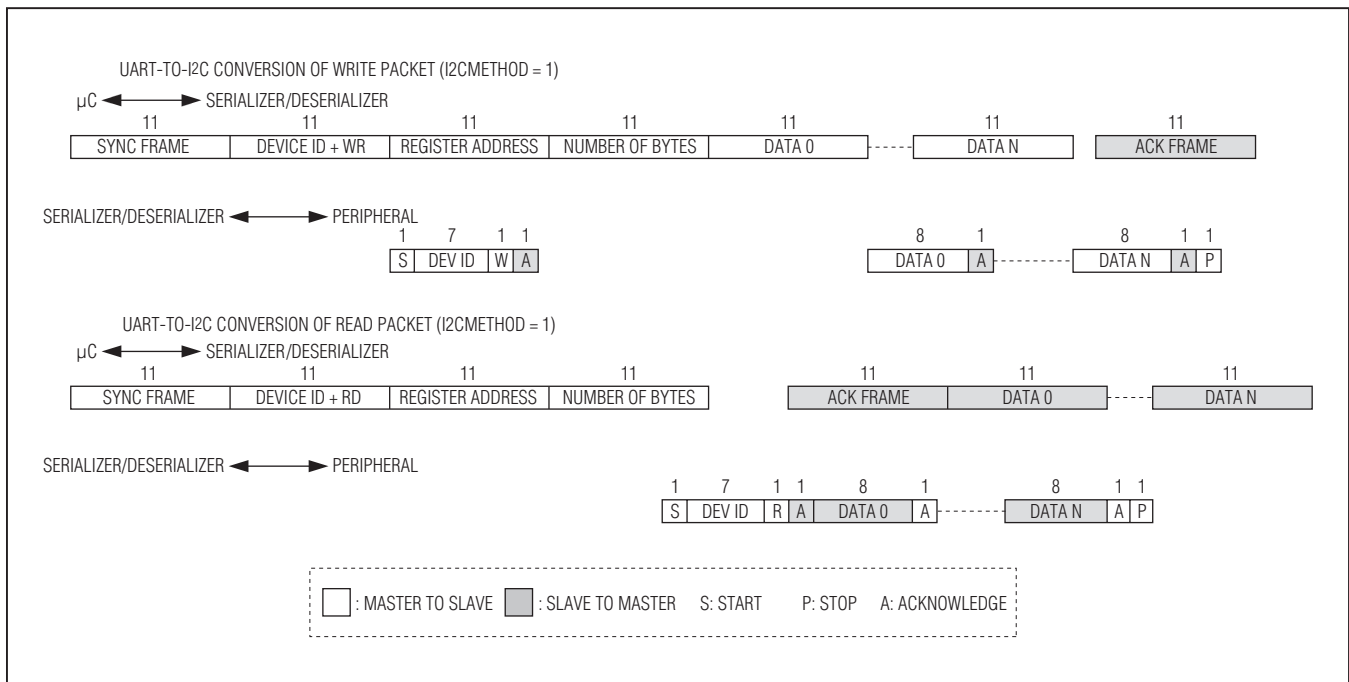


Figure 23. Format Conversion Between GMSL UART and I²C with Register Address (I2CMETHOD = 1)

I²C Interface

In I²C-to-I²C mode the serializer's control-channel interface sends and receives data through an I²C-compatible 2-wire interface. The interface uses a serial-data line (SDA) and a serial-clock line (SCL) to achieve bidirectional communication between master and slave(s). A µC master initiates all data transfers to and from the device and generates the SCL clock that synchronizes the data transfer. When an I²C transaction starts on the local-side device's control-channel port, the remote-side device's control-channel port becomes an I²C master that interfaces with remote-side I²C peripherals. The I²C master must accept clock stretching, which is imposed by the serializer (holding SCL low). The SDA and SCL lines operate as both an input and an open-drain output. Pullup resistors are required on SDA and SCL. Each transmission consists of a START condition (Figure 6) sent by a master, followed by the device's 7-bit slave address plus a R/W bit, a register address byte, one or more data bytes, and finally a STOP condition.

START and STOP Conditions

Both SCL and SDA remain high when the interface is not busy. A master signals the beginning of a transmission with a START (S) condition by transitioning SDA from high to low while SCL is high (see Figure 24). When the Maxim Integrated

master has finished communicating with the slave, it issues a STOP (P) condition by transitioning SDA from low to high while SCL is high. The bus is then free for another transmission.

Bit Transfer

One data bit is transferred during each clock pulse (Figure 25). The data on SDA must remain stable while SCL is high.

Acknowledge

The acknowledge bit is a clocked 9th bit that the recipient uses to handshake receipt of each byte of data (Figure 26). Thus, each byte transferred effectively requires 9 bits. The master generates the 9th clock pulse, and the recipient pulls down SDA during the acknowledge clock pulse. The SDA line is stable low during the high period of the clock pulse. When the master is transmitting to the slave device, the slave device generates the acknowledge bit because the slave device is the recipient. When the slave device is transmitting to the master, the master generates the acknowledge bit because the master is the recipient. The device generates an acknowledge even when the forward control channel is not active (not locked). To prevent acknowledge generation when the forward control channel is not active, set the I2CLOCKACK.

MAX9271

16-Bit GMSL Serializer with Coax or STP Cable Drive

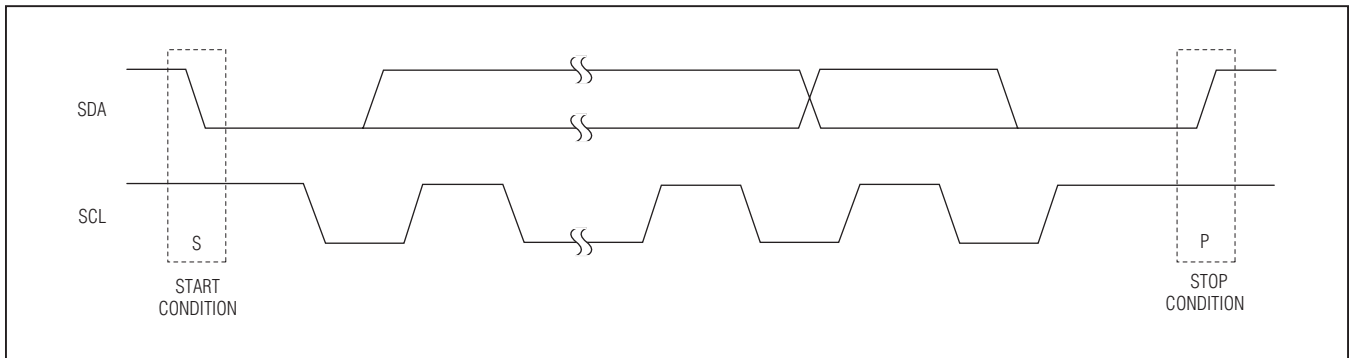


Figure 24. START and STOP Conditions

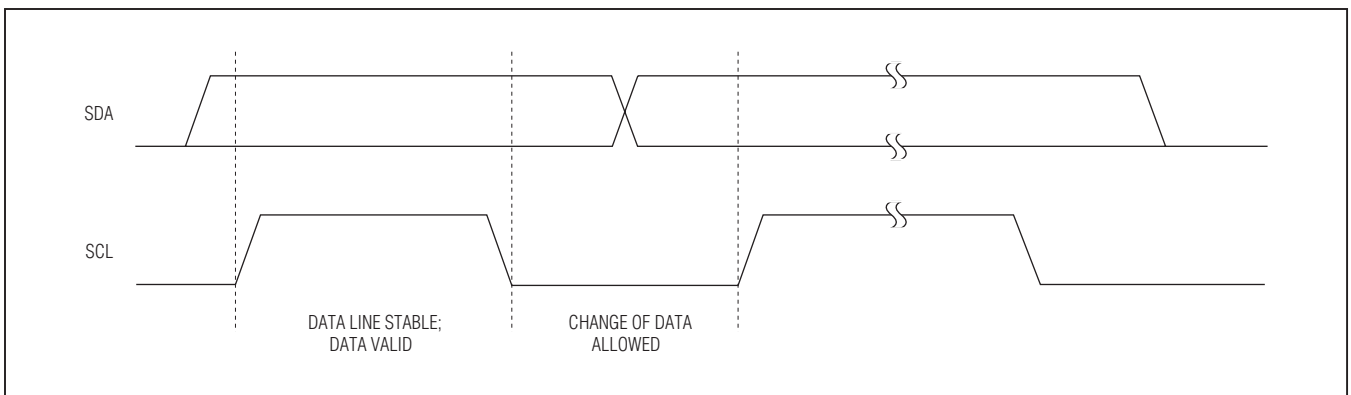


Figure 25. Bit Transfer

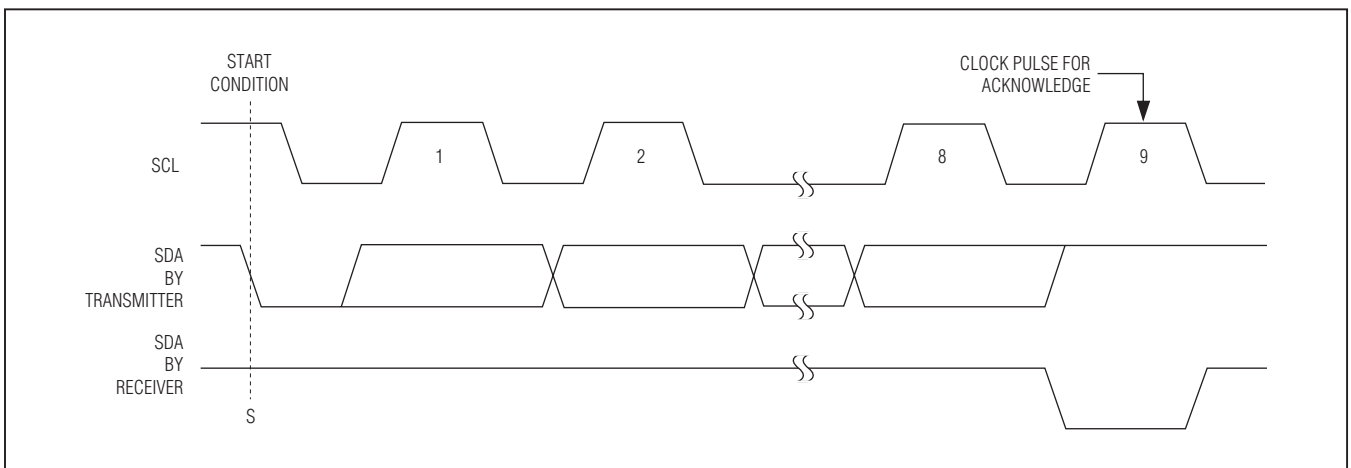


Figure 26. Acknowledge

MAX9271

16-Bit GMSL Serializer with Coax or STP Cable Drive

Slave Address

The serializer/deserializer have a 7-bit-long slave address. The bit following a 7-bit slave address is the R/W bit, which is low for a write command and high for a read command. The slave address is 10000001 for read commands and 10000000 for write commands. See [Figure 27](#).

Bus Reset

The device resets the bus with the I²C START condition for reads. When the R/W bit is set to 1, the serializer/deserializer transmit data to the master, thus the master is reading from the device.

Format for Writing

A write to the serializer/deserializer comprises the transmission of the slave address with the R/W bit set to zero,

followed by at least one byte of information. The first byte of information is the register address or command byte. The register address determines which register of the device is to be written by the next byte, if received. If a STOP (P) condition is detected after the register address is received, the device takes no further action beyond storing the register address ([Figure 28](#)). Any bytes received after the register address are data bytes. The first data byte goes into the register selected by the register address, and subsequent data bytes go into subsequent registers ([Figure 29](#)). If multiple data bytes are transmitted before a STOP condition, these bytes are stored in subsequent registers because the register addresses autoincrement.

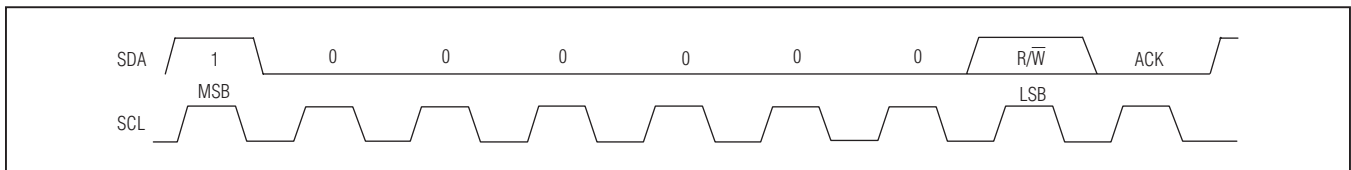


Figure 27. Slave Address



Figure 28. Format for I²C Write

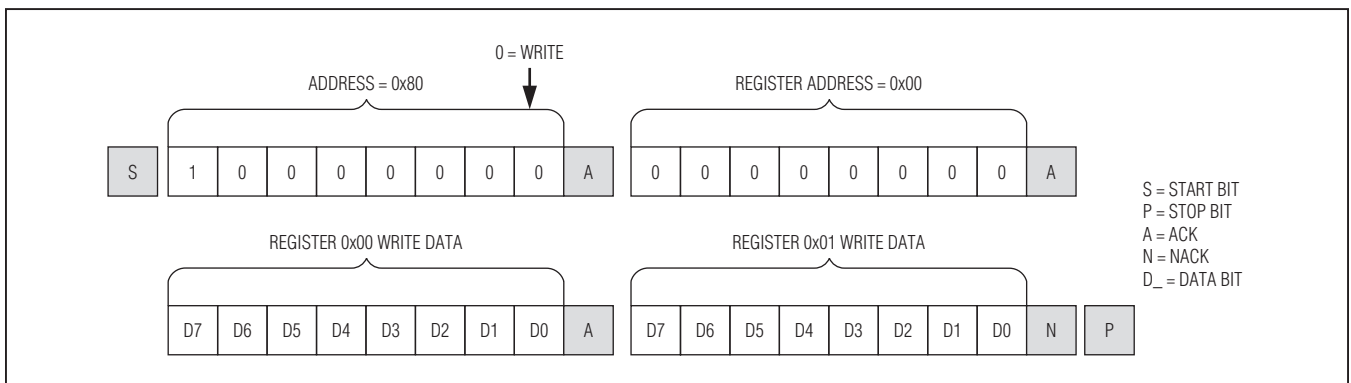


Figure 29. Format for Write to Multiple Registers

MAX9271

16-Bit GMSL Serializer with Coax or STP Cable Drive

Format for Reading

The serializer/deserializer are read using the internally stored register address as an address pointer, the same way the stored register address is used as an address pointer for a write. The pointer autoincrements after each data byte is read using the same rules as for a write. Thus, a read is initiated by first configuring the register address by performing a write (Figure 30). The master can now read consecutive bytes from the device, with the first data byte being read from the register address pointed by the previously written register address. Once the master sends a NACK, the device stops sending valid data.

I²C Communication with Remote-Side Devices

The serializer supports I²C communication with a peripheral on the remote side of the communication link using SCL clock stretching. While multiple masters can reside on either side of the communication link, arbitration is not provided. The connected masters need to support SCL clock stretching and provide contention detection. The remote side I²C bit-rate range must be set according to the local-side I²C bit rate. Supported remote-side bit rates can be found in Table 4. Set the I2CMSTBT (register 0x0D) to set the remote I²C bit rate. If using a

bit rate different than 400kbps, local- and remote-side I²C setup and hold times should be adjusted by setting the SLV_SH register settings on both sides.

I²C Address Translation

The serializer supports I²C address translation for up to two device addresses. Use address translation to assign unique device addresses to peripherals with limited I²C addresses. Source addresses (address to translate from) are stored in registers 0x09 and 0x0B. Destination addresses (address to translate to) are stored in registers 0x0A and 0x0C.

I²C Broadcast Mode

The serializer supports broadcast commands to control multiple peripheral devices. Select an unused device address to use as a broadcast device address. Program the remote-side GMSL device to translate the broadcast device address (source address stored in registers 0x09, 0x0B) to the peripheral device address (destination address stored in registers 0x0A, 0x0C). Any commands sent to the broadcast address are sent to all designated peripherals, while commands sent to a peripheral's unique device address are sent to that particular device only.

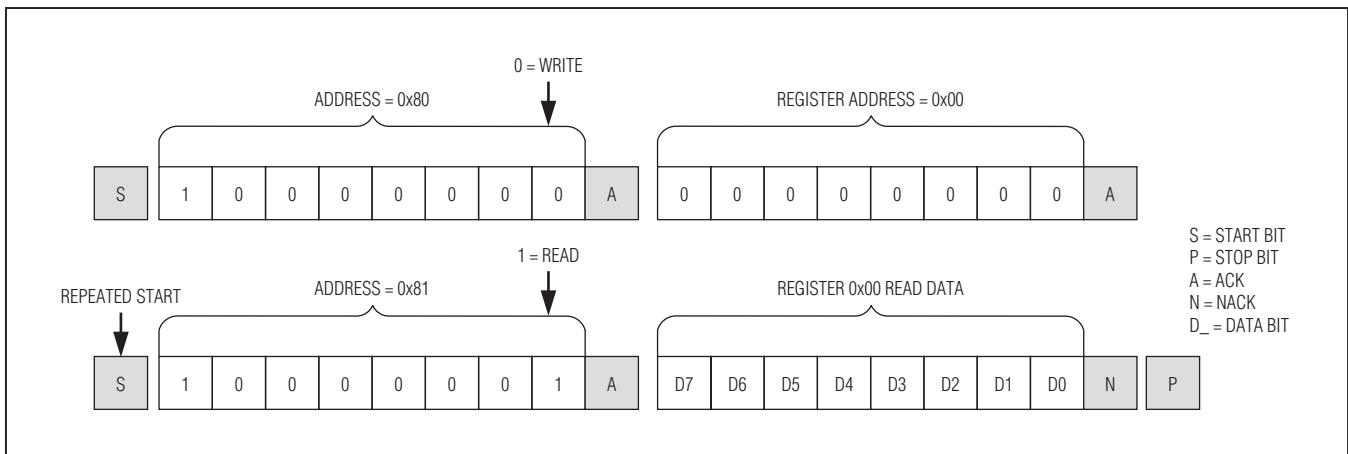


Figure 30. Format for I²C Read

Table 4. I²C Bit-Rate Ranges

LOCAL BIT RATE	REMOTE BIT-RATE RANGE	I2CMSTBT SETTING
f > 50kbps	Up to 1Mbps	Any
20kbps > f > 50kbps	Up to 400kbps	Up to 110
f < 20kbps	Up to 10kbps	000

MAX9271

16-Bit GMSL Serializer with Coax or STP Cable Drive

GPO/GPI Control

GPO on the serializer follows GPI transitions on the deserializer. This GPO/GPI function can be used to transmit signals such as frame sync in a surround-view camera system. The GPI-to-GPO delay is 0.35ms (max). Keep the time between GPI transitions to a minimum 0.35ms. This includes transitions from the other deserializer in the coax-mode splitter. Bit D4 of register 0x0E in the deserializer stores the GPI input state. GPO is low after power-up. The μ C can set GPO by writing to the SET_GPO register bit. Do not send a logic-low value on the deserializer RX/SDA input (UART mode) longer than 100 μ s in either base or bypass mode to ensure proper GPO/GPI functionality.

Pre/Deemphasis Driver

The serial line driver employs current-mode logic (CML) signaling. The driver is differential when programmed for twisted-pair (TP). When programmed for coax, one side of the CML driver is used. The line driver has programmable pre/deemphasis that modifies the output to compensate for cable length. There are 13 preemphasis settings, as shown in Table 5. Negative preemphasis levels are deemphasis levels in which the preemphasized swing level is the same as normal swing, but the no-transition data (e.g., a 1 followed by a 1) is deemphasized. Program the preemphasis levels through register 0x06 D[3:0] of the serializer. This preemphasis function

compensates the high-frequency loss of the cable and enables reliable transmission over longer link distances. Current drive for both TP and coax modes is programmable. CMLLVL bits (0x06, D[7:4]) program drive current in TP and coax modes for a single-ended voltage swing from 100mV to 500mV.

Spread Spectrum

To reduce the EMI generated by the transitions on the serial link, the serializer output is programmable for spread spectrum. If the deserializer driven by the serializer has programmable spread spectrum, do not enable spread for both at the same time or their interaction will cancel benefits. The deserializer tracks the serializer's spread and passes the spread to the deserializer output. The programmable spread-spectrum amplitudes are $\pm 0.5\%$, $\pm 1\%$, $\pm 1.5\%$, $\pm 2\%$, $\pm 3\%$, and $\pm 4\%$ (Table 6). Some spread-spectrum amplitudes can only be used at lower PCLKIN frequencies (Table 7). There is no PCLKIN frequency limit for the $\pm 0.5\%$ spread rate.

When the spread spectrum is turned on or off, the serial link stops for several microseconds and then restarts in order for the deserializer to lose and relock to the new serial-data stream.

The serializer includes a sawtooth divider to control the spread-modulation rate. Autodetection of the PCLKIN

Table 5. TP/Coax Drive Current (CMLLVL = 1000)

PREEMPHASIS LEVEL (dB)*	PREEMP SETTING (0x06, D[3:0])	I _{CML} (mA)	I _{PRE} (mA)	SINGLE-ENDED VOLTAGE SWING	
				MAX (mV)	MIN (mV)
-6.0	0100	12	4	400	200
-4.1	0011	13	3	400	250
-2.5	0010	14	2	400	300
-1.2	0001	15	1	400	350
0 (power-on default)	0000	16	0	400	400
1.1	1000	16	1	425	375
2.2	1001	16	2	450	350
3.3	1010	16	3	475	325
4.4	1011	16	4	500	300
6.0	1100	15	5	500	250
8.0	1101	14	6	500	200
10.5	1110	13	7	500	150
14.0	1111	12	8	500	100

*Negative preemphasis levels denote deemphasis.

MAX9271

16-Bit GMSL Serializer with Coax or STP Cable Drive

Table 6. Serial Output Spread

SS	SPREAD (%)
000	No spread spectrum. Power-up default.
001	±0.5% spread spectrum.
010	±1.5% spread spectrum.
011	±2% spread spectrum.
100	No spread spectrum.
101	±1% spread spectrum.
110	±3% spread spectrum.
111	±4% spread spectrum.

Table 7. Spread Limitations

BWS = 0 MODE, PCLKIN FREQUENCY (MHz)	BWS = 1 MODE, PCLKIN FREQUENCY (MHz)	SERIAL LINK BIT RATE (Mbps)	AVAILABLE SPREAD RATES
< 33.3 (DBL = 0)	< 25 (DBL = 0)	< 1000	All rates available
< 66.6 (DBL = 1)	< 50 (DBL = 1)		
33.3 to 50 (DBL = 0)	25 to 37.5 (DBL = 0)	≥ 1000	1.5%, 1.0%, 0.5%
66.6 to 100 (DBL = 1)	50 to 75 (DBL = 1)		

operation range guarantees a spread-spectrum modulation frequency within 20kHz to 40kHz. Additionally, manual configuration of the sawtooth divider (SDIV: 0x03, D[5:0]) allows the user to set a modulation frequency according to the PCLKIN frequency. When ranges are manually selected, program the SDIV value for a fixed modulation frequency around 20kHz.

Manual Programming of the Spread-Spectrum Divider

The modulation rate relates to the PCLKIN frequency as follows:

$$f_M = (1 + \text{DRS}) \frac{f_{\text{PCLKIN}}}{\text{MOD} \times \text{SDIV}}$$

where:

f_M = Modulation frequency

DRS = DRS value (0 or 1)

f_{PCLKIN} = PCLKIN frequency

MOD = Modulation coefficient given in [Table 8](#)

SDIV = 6-bit SDIV setting, manually programmed by the μC . To program the SDIV setting, first look up the modulation coefficient according to the desired bus-width and

spread-spectrum settings. Solve the above equation for SDIV using the desired pixel clock and modulation frequencies. If the calculated SDIV value is larger than the maximum allowed SDIV value in [Table 8](#), set SDIV to the maximum value.

Additional Error Detection and Correction

In default mode (additional error detection and correction disabled), data encoding/decoding is the same as in previous GMSL serializers/deserializers (parity only). At the serializer, the parallel input word is scrambled and a parity bit is added. The scrambled word is divided into 3 or 4 bytes (depending on the BWS setting), 8b/10b encoded, and then transmitted serially. At the deserializer, the same operations are performed in reverse order. The parity bit is used by the deserializer to find the word boundary and for error detection. Errors are counted in an error counter register and an error pin indicates errors. The serializer can use one of two additional error-detection/correction methods (selectable by register setting):

- 1) 6-bit cyclic redundancy check
- 2) 6-bit hamming code with 16-word interleaving

MAX9271

16-Bit GMSL Serializer with Coax or STP Cable Drive

Table 8. Modulation Coefficients and Maximum SDIV Settings

BWS	SPREAD-SPECTRUM SETTING (%)	MODULATION COEFFICIENT (dec)	SDIV UPPER LIMIT (dec)
1	1	104	40
	0.5	104	63
	3	152	27
	1.5	152	54
	4	204	15
	2	204	30
0	1	80	52
	0.5	80	63
	3	112	37
	1.5	112	63
	4	152	21
	2	152	42

Cyclic Redundancy Check (CRC)

When CRC is enabled, the serializer adds 6 bits of CRC to the input data. This reduces the available bits in the input data word by 6, compared to the non-CRC case (see [Table 2](#) for details). For example, 16 bits are available for input data instead of 22 bits when BWS = 0, and 24 bits instead of 30 bits when BWS = 1.

The CRC generator polynomial is $x^6 + x + 1$ (as used in the ITU-T G704 telecommunication standard).

The parity bit is still added when CRC is enabled, because it is used for word-boundary detection. When CRC is enabled, each data word is scrambled and then the 6-bit CRC and 1-bit parity are added before the 8b/10b encoding.

At the deserializer, the CRC code is recalculated. If the recalculated CRC code does not match the received CRC code, an error is flagged. This CRC error is reported to the error counter.

Hamming Code

Hamming code is a simple and effective error-correction code to detect and/or correct errors. The MAX9271 serializer (when used with the MAX9272 GMSL deserializer) uses a single-error correction, double-error detection per pixel hamming-code scheme.

The serializer uses data interleaving for burst error tolerance. Burst errors up to 11 consecutive bits on the serial link are corrected, and burst errors up to 31 consecutive bits are detected.

Hamming code adds overhead similar to CRC. See [Table 2](#) for details regarding the available input word size.

HS/VS Encoding and/or Tracking

HS/VS encoding by a GMSL serializer allows horizontal and vertical synchronization signals to be transmitted while conserving pixel data bandwidth. With HS/VS encoding enabled, 10-bit pixel data with a clock up to 100MHz can be transmitted using one video pixel of data per HS/VS transition, versus 8-bit data with a clock up to 100MHz without HS/VS encoding. The deserializer performs HS/VS decoding, tracks the period of the HS/VS signals, and uses voting to filter HS/VS bit errors. When using HS/VS encoding, use a minimum HS/VS low-pulse duration of two PCLKIN cycles when DBL = 0 on the MAX9271/MAX9273. When DBL = 1, use a minimum low-pulse duration of five PCLKIN cycles and a minimum high-pulse duration of two PCLKIN cycles. When using hamming code with HS/VS encoding, do not send more than two transitions every 16 PCLKIN cycles.

When the serializer uses double-input mode (DBL = 1) the active duration, plus the blanking duration of HS or VS signals, should be an even number of PCLKIN cycles.

If HS/VS tracking is used without HS/VS encoding, use DIN0 for HSYNC and DIN1 for VSYNC. In this case, if DBL values on the serializer and the deserializer are different, set the deserializer's UNEQDBL register bit to 1. If the serializer and deserializer have unequal DBL settings and HVEN = 0, then HS/VS inversion should only be used on the side that has DBL = 1. HS/VS encoding sends packets when HSYNC or VSYNC is low, use H/V inversion register bits if input HSYNC and VSYNC signals use an active-low convention to send data packets during the inactive pixel clock periods.

Serial Output

The driver output is programmable for two types of cable: 100Ω twisted pair and 50Ω coax (contact the factory for serializers with 75Ω cable drive).

MAX9271

16-Bit GMSL Serializer with Coax or STP Cable Drive

Coax-Mode Splitter

In coax mode, OUT+ and OUT- are active. This enables use as a 1:2 splitter (Figure 31). In coax mode, connect OUT+ to IN+ of the deserializer. Connect OUT- to IN- of the second deserializer. Control-channel data is broadcast from the serializer to both deserializers and their attached peripherals. Assign a unique device address to send control data to one deserializer. Leave all unused IN_ pins unconnected, or connect them to ground through 50Ω and a capacitor for increased power-supply rejection. If OUT- is not used, connect OUT- to AVDD through a 50Ω resistor (Figure 32). When there are μCs at the serializer, and at each deserializer, only one μC can communicate at a time. Disable one splitter control-channel link to prevent contention. Use the DIS_REV_P or DIS_REV_N register bits to disable a control-channel link.

Configuration Inputs (CONF1, CONF0)

CONF1 and CONF0 determine the power-up values of the serial output type, the input data latch, and the control-channel interface type (Table 9). These functions can be changed after power-up by writing to the appropriate register bits.

Sleep Mode

The serializer includes a sleep mode to reduce power consumption. The device enters or exits sleep mode by a command from a local μC or a remote μC using the control channel. Set the SLEEP bit to 1 to initiate sleep mode. The serializer sleeps immediately after setting its SLEEP = 1. The OUT+ and OUT- serial outputs each have a wake-up receiver to accept wake-up commands from the attached deserializers. On power-up, the OUT+

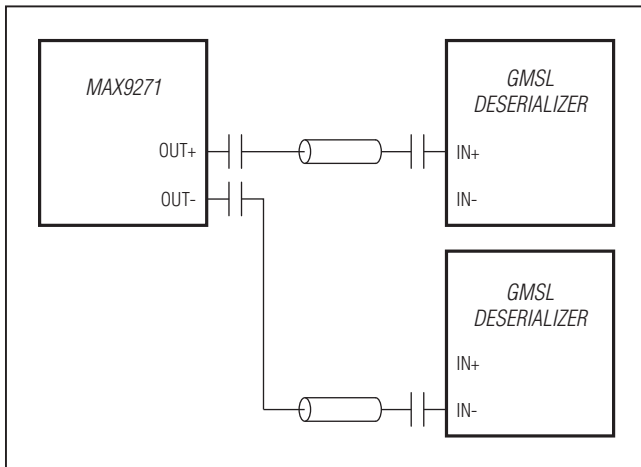


Figure 31. 2:1 Coax-Mode Splitter Connection Diagram

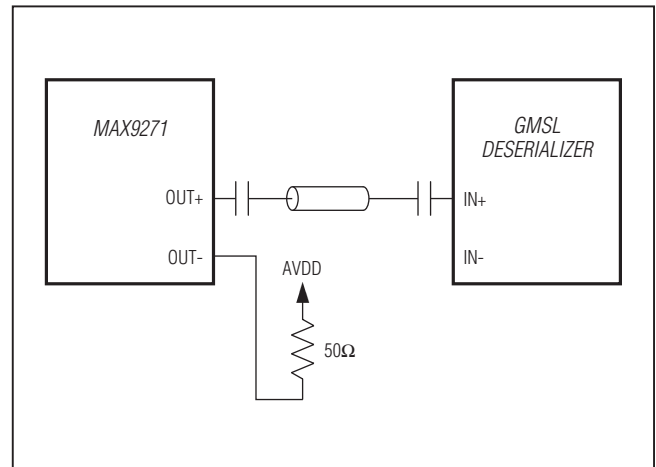


Figure 32. Coax-Mode Connection Diagram

Table 9. Configuration Input Map

CONF1	CONF0	CXTP (OUT+/OUT- OUTPUT TYPE)	ES (PCLKIN LATCH EDGE)	I2CSEL (CONTROL-CHANNEL TYPE)
Low	Low	1 (coax)	1 (falling)	1 (I ² C-to-I ² C)
Low	Mid	1 (coax)	1 (falling)	0 (UART-to-I ² C/UART)
Low	High	1 (coax)	0 (rising)	1 (I ² C-to-I ² C)
Mid	Low	1 (coax)	0 (rising)	0 (UART-to-I ² C/UART)
Mid	Mid	0 (STP)	1 (falling)	1 (I ² C-to-I ² C)
Mid	High	0 (STP)	1 (falling)	0 (UART-to-I ² C/UART)
High	Low	0 (STP)	0 (rising)	1 (I ² C-to-I ² C)
High	Mid	0 (STP)	0 (rising)	0 (UART-to-I ² C/UART)
High	High	Do not use	Do not use	Do not use

MAX9271

16-Bit GMSL Serializer with Coax or STP Cable Drive

wake-up receiver is enabled and the OUT- wake-up receiver is disabled. Disable the wake-up receivers (through ENWAKEP or ENWAKEN) if the devices are disconnected or wake-up is not used in order to reduce sleep mode current. If both wake-up receivers are disabled, the device can only be woken up from the local control channel. To wake up the device, send an arbitrary control-channel command to the serializer. Wait 5ms for the chip to power up and then write 0 to the SLEEP register bit to make the wake-up permanent.

Power-Down Mode

The serializer has a power-down mode that further reduces power consumption compared to sleep mode. Set $\overline{\text{PWDN}}$ low to enter power-down mode. In power-down mode, the serial outputs are in high impedance. Entering power-down resets the device's registers. Upon exiting power-down, the state of the GPIO1/BWS, MS/HVEN, LCCEN, CONF0, CONF1, RX/SDA/EDC, and TX/SCL/DBL pins are latched.

Configuration Link

The control channel can operate in a low-speed mode called configuration link in the absence of a clock input. This allows a microprocessor to program configuration registers before starting the video link. An internal oscillator provides the clock for the configuration link. Set CLINKEN = 1 on the serializer to enable the configuration link. The configuration link is active until the video link is enabled. The video link overrides the configuration link and attempts to lock when SEREN = 1.

Link Startup Procedure

Table 10 lists the startup procedure for video-display applications. Table 11 lists the startup procedure for image-sensing applications. The control channel is available after the video link or the configuration link is established. If the deserializer powers up after the serializer, the control channel becomes unavailable until 2ms after power-up.

Table 10. Startup Procedure for Video-Display Applications

NO.	μC	SERIALIZER	DESERIALIZER
—	μC connected to serializer.	Sets all configuration inputs. If any configuration inputs are available on one end of the link but not on the other, always connects that configuration input low.	Sets all configuration inputs. If any configuration inputs are available on one end of the link but not on the other, always connects that configuration input low.
1	Powers up.	Powers up and loads default settings.	Powers up and loads default settings.
2	Enables configuration link by setting CLINKEN = 1 (if not enabled automatically) and gets an acknowledge. Waits for link to be established (~3ms).	Establishes configuration link.	Locks to configuration link signal.
3	Writes one link configuration bit (DRS, BWS, or EDC) in the deserializer and gets an acknowledge.	—	Configuration changed from default settings (loss-of-lock occurs if BWS or EDC changes).
4	Writes corresponding serializer link configuration bit and gets an acknowledge.	Configuration changed from default settings.	Relocks to configuration link signal.
5	Waits for link to be established (~3ms) and then repeats steps 3 through 4 until all serial link bits are configured.	—	—
6	Writes remaining configuration bits in the serializer/deserializer and gets an acknowledge.	Configuration changed from default settings.	Configuration changed from default settings.
7	Enables video link by setting SEREN = 1 and gets an acknowledge. Waits for link to be established (~3ms).	Begins serializing data.	Locks to serial link signal and begins deserializing data.

MAX9271

16-Bit GMSL Serializer with Coax or STP Cable Drive

Table 11. Startup Procedure for Image-Sensing Applications

NO.	μC	SERIALIZER	DESERIALIZER
—	μC connected to deserializer.	Sets all configuration inputs. If any configuration inputs are available on one end of the link but not on the other, always connects that configuration input low.	Sets all configuration inputs. If any configuration inputs are available on one end of the link but not on the other, always connects that configuration input low.
1	Powers up.	Powers up and loads default settings. Establishes serial link.	Powers up and loads default settings. Locks to serial link signal.
3	Writes deserializer configuration bits and gets an acknowledge.	—	Configuration changed from default settings (loss-of-lock occurs if BWS or EDC changes).
4	Writes serializer configuration bits. Does not get an acknowledge (or gets a dummy acknowledge) if loss-of-lock occurred.	Configuration changed from default settings.	Relocks to serial link signal.
5	Enables video link by setting SEREN = 1 (if not enabled automatically). Cannot get an acknowledge (or gets a dummy acknowledge) if loss-of-lock occurred. Waits for link to be established (~3ms).	Begins serializing data.	Locks to serial link signal and begins deserializing data.

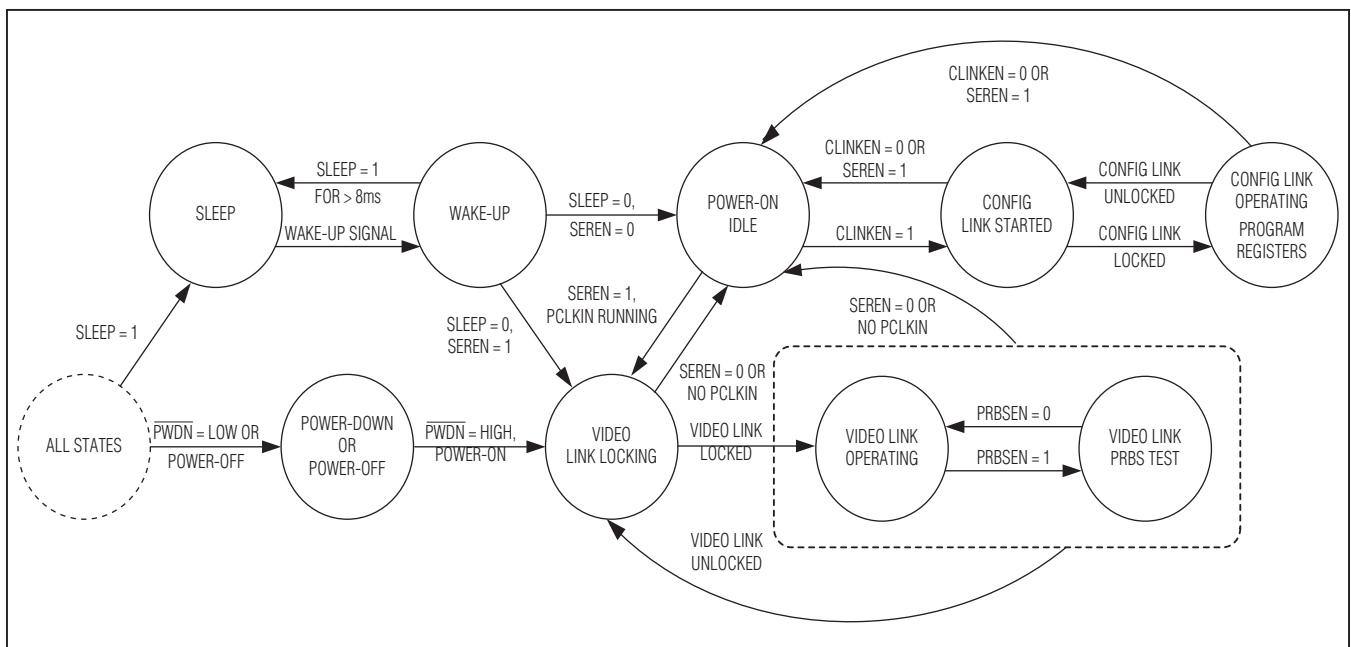


Figure 33. State Diagram, All Applications

16-Bit GMSL Serializer with Coax or STP Cable Drive

Applications Information

PRBS Test

The serializer includes a PRBS pattern generator that works with bit-error verification in the deserializer. To run the PRBS test, set PRBSEN = 1 (0x04, D5) in the deserializer and then in the serializer. To exit the PRBS test, set PRBSEN = 0 (0x04, D5) in the serializer.

Error Generator

The serializer contains an error generator that enables repeatable testing of the error-detection/correction features of the GMSL link. Register 0x11 stores the configuration bits for the error generator. A μC sets the error-generation rate, type of errors, and the total number of errors. The error generator is off by default.

Dual μC Control

Usually systems have one μC to run the control channel, located on the serializer side for video-display applications or on the deserializer side for image-sensing applications. However, a μC can reside on each side simultaneously and trade off running the control channel. In this case, each μC can communicate with the serializer and deserializer and any peripheral devices.

Contention occurs if both μC s attempt to use the control channel at the same time. It is up to the user to prevent this contention by implementing a higher-level protocol. In addition, the control channel does not provide arbitration between I²C masters on both sides of the link. An acknowledge frame is not generated when communication fails due to contention. If communication across the serial link is not required, the μC s can disable the forward and reverse control channel using the FWCCEN and REVCCEN bits (0x04, D[1:0]) in the serializer/deserializer. Communication across the serial link is stopped and contention between μC s cannot occur.

As an example of dual μC use in an image-sensing application, the serializer can be in sleep mode, waiting for wake-up by the μC on the deserializer side. After wake-up, the serializer-side μC assumes master control of the serializer's registers.

Jitter-Filtering PLL

In some applications, the clock input (PCLKIN) includes noise, which reduces link reliability. The clock input has a programmable narrowband jitter-filter PLL that attenuates frequencies higher than 100kHz (typ). Enable the jitter filter by setting ENJITFILT = 1 (0x05, D6).

PCLKIN Spread Tracking

The serializer can operate with a spread PCLKIN signal. When using a spread PCLKIN signal, disable the jitter filter by setting ENJITFILT = 0 (0x05, D6). Do not exceed the spread limitations listed in [Table 7](#) and keep modulation less than 40kHz. In addition, turn off spread spectrum in the serializer/deserializer. The serializer/deserializer track the spread on PCLKIN.

Changing the Clock Frequency

It is recommended that the serial link be enabled after the video clock (f_{PCLKIN}) and the control-channel clock ($f_{\text{UART}}/f_{\text{I2C}}$) are stable. When changing clock frequency, stop the video clock for 5 μs , apply the clock at the new frequency, then restart the serial link or toggle SEREN. On-the-fly changes in clock frequency are possible if the new frequency is immediately stable and without glitches. The reverse control channel remains unavailable for 350 μs after serial link start or stop. When using the UART interface, limit on-the-fly changes in f_{UART} to factors of less than 3.5 at a time to ensure that the device recognizes the UART sync pattern. For example, when lowering the UART frequency from 1Mbps to 100kbps, first send data at 333kbps, then at 100kbps for reduction ratios of 3 and 3.333, respectively.

Providing a Frame Sync (Camera Applications)

The GPI and GPO provide a simple solution for camera applications that require a frame sync signal from the ECU (e.g., surround-view systems). Connect the ECU frame sync signal to the GPI input and connect the GPO output to the camera frame sync input. GPI/GPO have a typical delay of 275 μs . Skew between multiple GPI/GPO channels is 115 μs (max). If a lower skew signal is required, connect the camera's frame sync input to one of the serializer's GPIOs and use an I²C broadcast write command to change the GPIO output state. This has a maximum skew of 1.5 μs , independent from the used I²C bit rate.

Software Programming of the Device Addresses

The serializer and deserializer have programmable device addresses. This allows multiple GMSL devices, along with I²C peripherals, to coexist on the same control channel. The serializer device address is in register 0x00 of each device, while the deserializer device address is in register 0x01 of each device. To change a device address, first

MAX9271

16-Bit GMSL Serializer with Coax or STP Cable Drive

write to the device whose address changes (register 0x00 of the serializer for serializer device address change, or register 0x01 of the deserializer for deserializer device address change). Then write the same address into the corresponding register on the other device (register 0x00 of the deserializer for serializer device address change, or register 0x01 of the serializer for deserializer device address change).

Three-Level Configuration Inputs

CONF1 and CONF0 are three-level inputs that control the serial interface configuration and power-up defaults. Connect CONF1 or CONF0 through a pullup resistor to IOVDD to set a high level, a pulldown resistor to GND to set a low level, or IOVDD/2 or open to set a midlevel. For digital control, use three-state logic to drive the three-level logic inputs.

Configuration Blocking

The serializer can block changes to registers. Set CFGBLOCK to make all registers read only. Once set, the registers remain blocked until the supplies are removed or until PWDN is low.

Compatibility with Other GMSL Devices

The MAX9271 serializer is designed to pair with the MAX9272 deserializer, but interoperates with any GMSL deserializer. See [Table 12](#) for operating limitations.

GPIOs

The serializer has five open-drain GPIOs available when not used as data or configuration inputs. Setting the GPIO enable bits (register 0x0E) to 1 enables the GPIOs and internally connects the respective data or configuration input low. Setting the GPIO output bits to 0 pulls the output low, while setting the bits to 1 leaves the output undriven, and pulled high through internal/external pullup resistors. The GPIO input buffers are enabled when the GPIO is enabled. The input states are stored in register 0x10 (read only). Set GPIO_OUT to 1 when using a GPIO_ as an input.

Local Control-Channel Enable (LCCEN)

The serializer provides inputs for limited configuration of the device when a μC is not connected. Connect LCCEN = low upon power-up to disable the local control channel, and enable the double-function configuration inputs ([Table 13](#)). All input configuration states are latched at power-up.

Table 12. MAX9271 Feature Compatibility

MAX9271 FEATURE	GMSL Deserializer
HSYNC/VSYNC encoding	If feature not supported in the deserializer, must be turned off in the serializer.
Hamming-code error correction	If feature not supported in the deserializer, must be turned off in the serializer.
I ² C-to-I ² C	If feature not supported in the deserializer, must use UART-to-I ² C or UART-to-UART.
CRC error detection	If feature not supported in the deserializer, must be turned off in the serializer.
Double input	If feature not supported in the deserializer, data is output as a single word at half the input frequency.
Coax	If feature not supported in the deserializer, Must connect unused serial input through 200nF and 50 Ω in series to AVDD, and set the reverse control-channel amplitude to 100mV.
I ² S encoding	If supported in the deserializer, disable I ² S in the deserializer.

Table 13. Double-Function Configuration

LCCEN	GPIO1/BWS FUNCTION	MS/HVEN FUNCTION	RX/SDA/EDC FUNCTION	TX/SCL/DBL FUNCTION
High	Functions as GPIO	MS input (low = base mode high = bypass mode)	UART/I ² C input/output	UART/I ² C input/output
Low	BWS input (low = 24-bit mode, high = 32-bit mode)	HVEN input (low = HS/VS encoding disabled, high = HS/VS encoding enabled)	EDC input (low = error detection/correction disabled, high = error detection/ correction enabled)	DBL input (low = single input, high = double input)

MAX9271

16-Bit GMSL Serializer with Coax or STP Cable Drive

Internal Input Pulldowns

The control and configuration inputs (except three-level inputs) include a pulldown resistor to GND. External pulldown resistors are not needed.

Choosing I²C/UART Pullup Resistors

The I²C and UART open-drain lines require a pullup resistor to provide a logic-high level. There are tradeoffs between power dissipation and speed, and a compromise may be required when choosing pullup resistor values. Every device connected to the bus introduces some capacitance even when the device is not in operation. I²C specifies 300ns rise times (30% to 70%) for fast mode, which is defined for data rates up to 400kbps (see the I²C specifications in the *AC Electrical Characteristics* table for details). To meet the fast-mode rise-time requirement, choose the pullup resistors so that rise time $t_R = 0.85 \times R_{PULLUP} \times C_{BUS} < 300\text{ns}$. The waveforms are not recognized if the transition time becomes too slow. The serializer supports I²C/UART rates up to 1Mbps (UART-to-I²C mode) and 400kbps (I²C-to-I²C mode).

AC-Coupling

AC-coupling isolates the receiver from DC voltages up to the voltage rating of the capacitor. Capacitors at the serializer output and at the deserializer input are needed for proper link operation and to provide protection if either end of the cable is shorted to a battery. AC-coupling blocks low-frequency ground shifts and low-frequency common-mode noise.

Table 14. Typical Power-Supply Currents (Using Worst-Case Input Pattern)

PCLK (MHz)	AVDD (mA)	DVDD (mA)	IOVDD (mA)
25	36.8	9.0	0.32
50	42.1	13.7	0.34

Selection of AC-Coupling Capacitors

Voltage droop and the digital sum variation (DSV) of transmitted symbols cause signal transitions to start from different voltage levels. Because the transition time is fixed, starting the signal transition from different voltage levels causes timing jitter. The time constant for an AC-coupled link needs to be chosen to reduce droop and jitter to an acceptable level. The RC network for an AC-coupled link consists of the CML/coax receiver termination resistor (R_{TR}), the CML/coax driver termination resistor (R_{TD}), and the series AC-coupling capacitors (C). The RC time constant for four equal-value series capacitors is $(C \times (R_{TD} + R_{TR}))/4$. R_{TD} and R_{TR} are required to match the transmission line impedance (usually 100Ω differential, 50Ω single-ended). This leaves the capacitor selection to change the system time constant. Use 0.2μF or larger high-frequency surface-mount ceramic capacitors, with sufficient voltage rating to withstand a short to battery, to pass the lower speed reverse control-channel signal. Use capacitors with a case size less than 3.2mm x 1.6mm to have lower parasitic effects to the high-speed signal.

Power-Supply Circuits and Bypassing

The serializer uses an AVDD and DVDD of 1.7V to 1.9V. All inputs and outputs, except for the serial output, derive power from an IOVDD of 1.7V to 3.6V that scales with IOVDD. Proper voltage-supply bypassing is essential for high-frequency circuit stability.

Power-Supply Table

Power-supply currents shown in the *Electrical Characteristics* table are the sum of the currents from AVDD, DVDD, and IOVDD. Typical currents from the individual power supplies are shown in [Table 14](#).

Cables and Connectors

Interconnect for CML typically has a differential impedance of 100Ω. Use cables and connectors that have matched differential impedance to minimize impedance discontinuities. Coax cables typically have a characteristic impedance of 50Ω contact the factory for 75Ω operation). [Table 15](#) lists the suggested cables and connectors used in the GMSL link.

Table 15. Suggested Connectors and Cables for GMSL

SUPPLIER	CONNECTOR	CABLE	TYPE
Rosenberger	59S2AX-400A5-Y	RG174	Coax
JAE	MX38-FF	A-BW-Lxxxxx	STP
Nissei	GT11L-2S	F-2WME AWG28	STP
Rosenberger	D4S10A-40ML5-Z	Dacar 538	STP

MAX9271

16-Bit GMSL Serializer with Coax or STP Cable Drive

Board Layout

Separate the LVCMOS logic signals and CML/coax high-speed signals to prevent crosstalk. Use a four-layer PCB with separate layers for power, ground, CML/coax, and LVCMOS logic signals. Layout PCB traces close to each other for a 100Ω differential characteristic impedance. The trace dimensions depend on the type of trace used (microstrip or stripline). Note that two 50Ω PCB traces

do not have 100Ω differential impedance when brought close together—the impedance goes down when the traces are brought closer. Use a 50Ω trace for the single-ended output when driving coax.

Route the PCB traces for differential CML in parallel to maintain the differential characteristic impedance. Avoid vias. Keep PCB traces that make up a differential pair equal in length to avoid skew within the differential pair.

ESD Protection

ESD tolerance is rated for Human Body Model, IEC 61000-4-2, and ISO 10605. The ISO 10605 and IEC 61000-4-2 standards specify ESD tolerance for electronic systems. The serial outputs are rated for ISO 10605 ESD protection and IEC 61000-4-2 ESD protection. All pins are tested for the Human Body Model. The Human Body Model discharge components are $C_S = 100\text{pF}$ and $R_D = 1.5\text{k}\Omega$ (Figure 34). The IEC 61000-4-2 discharge components are $C_S = 150\text{pF}$ and $R_D = 330\Omega$ (Figure 35). The ISO 10605 discharge components are $C_S = 330\text{pF}$ and $R_D = 2\text{k}\Omega$ (Figure 36).

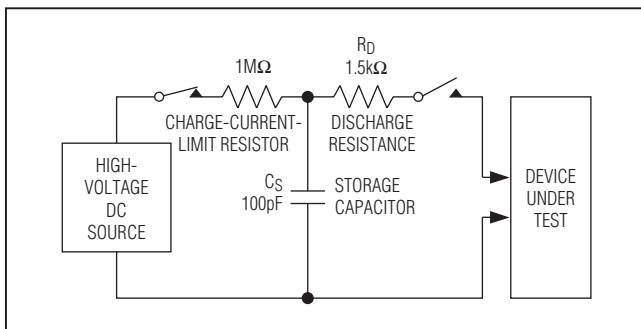


Figure 34. Human Body Model ESD Test Circuit

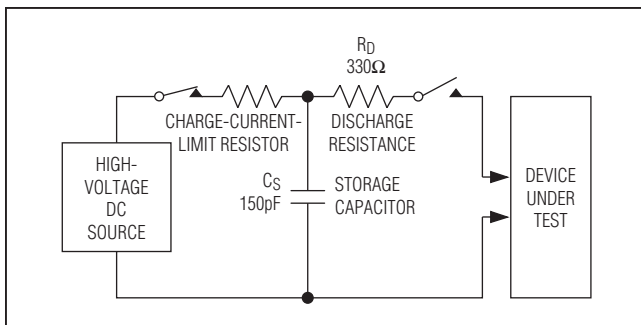


Figure 35. IEC 61000-4-2 Contact Discharge ESD Test Circuit

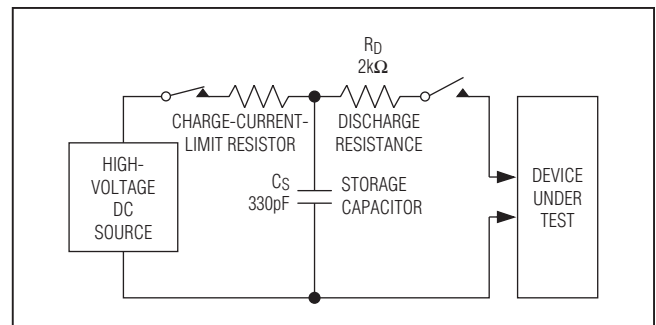


Figure 36. ISO 10605 Contact Discharge ESD Test Circuit

MAX9271

16-Bit GMSL Serializer with Coax or STP Cable Drive

Table 16. Register Table (see Table 1)

REGISTER ADDRESS	BITS	NAME	VALUE	FUNCTION	DEFAULT VALUE
0x00	D[7:1]	SERID	XXXXXXX	Serializer device address.	1000000
	D0	CFGBLOCK	0	Normal operation.	0
			1	Registers 0x00 to 0x1F are read only.	
0x01	D[7:1]	DESID	XXXXXXX	Deserializer device address.	1001000
	D0	—	0	Reserved.	0
0x02	D[7:5]	SS	000	No spread spectrum.	000
			001	±0.5% spread spectrum.	
			010	±1.5% spread spectrum.	
			011	±2% spread spectrum.	
			100	No spread spectrum.	
			101	±1% spread spectrum.	
			110	±3% spread spectrum.	
			111	±4% spread spectrum.	
	D4	—	1	Reserved.	1
	D[3:2]	PRNG	00	12.5MHz to 25MHz pixel clock.	11
			01	25MHz to 50MHz pixel clock.	
			10	Automatically detect the pixel clock range.	
			11	Automatically detect the pixel clock range.	
	D[1:0]	SRNG	00	0.5 to 1Gbps serial-bit rate.	11
01			1 to 2Gbps serial-bit rate.		
10			Automatically detect serial-bit rate.		
11			Automatically detect serial-bit rate.		
0x03	D[7:6]	AUTOFM	00	Calibrate spread-modulation rate only once after locking.	00
			01	Calibrate spread-modulation rate every 2ms after locking.	
			10	Calibrate spread-modulation rate every 16ms after locking.	
			11	Calibrate spread-modulation rate every 256ms after locking.	
	D[5:0]	SDIV	000000	Autocalibrate sawtooth divider.	000000
XXXXXX			Manual SDIV setting. See the <i>Manual Programming of the Spread-Spectrum Divider</i> section.		

MAX9271

16-Bit GMSL Serializer with Coax or STP Cable Drive

Table 16. Register Table (see Table 1) (continued)

REGISTER ADDRESS	BITS	NAME	VALUE	FUNCTION	DEFAULT VALUE
0x04	D7	SEREN	0	Disable serial link. Reverse control-channel communication remains unavailable for 350μs after the serializer starts/stops the serial link.	1
			1	Enable serial link. Reverse control-channel communication remains unavailable for 350μs after the serializer starts/stops the serial link.	
	D6	CLINKEN	0	Disable configuration link.	0
			1	Enable configuration link.	
	D5	PRBSEN	0	Disable PRBS test.	0
			1	Enable PRBS test.	
	D4	SLEEP	0	Normal mode.	0
			1	Activate sleep mode.	
	D[3:2]	INTTYPE	00	Local control channel uses I ² C when I ² CSEL = 0.	01
			01	Local control channel uses UART when I ² CSEL = 0.	
			10, 11	Local control channel disabled.	
	D1	REVCCEN	0	Disable reverse control channel from deserializer (receiving).	1
			1	Enable reverse control channel from deserializer (receiving).	
	D0	FWDCCEN	0	Disable forward control channel to deserializer (sending).	1
1			Enable forward control channel to deserializer (sending).		
0x05	D7	I ² CMETHOD	0	I ² C conversion sends the register address when converting UART to I ² C.	0
			1	Disable sending of I ² C register address when converting UART to I ² C (command-byte-only mode).	
	D6	ENJITFLT	0	Jitter filter disabled.	0
			1	Jitter filter active.	
	D[5:4]	PRBSLEN	00	Continuous PRBS length.	00
			01	9.83Mbit PRBS length.	
			10	167.1Mbit PRBS length.	
			11	1341.5Mbit PRBS length.	
	D[3:2]	—	00	Reserved.	00
	D1	ENWAKEN	0	Disable wake-up receiver.	0
			1	Enable OUT- wake-up receiver during sleep mode.	
D0	ENWAKEP	0	Disable wake-up receiver.	1	
		1	Enable OUT- wake-up receiver during sleep mode.		

MAX9271

16-Bit GMSL Serializer with Coax or STP Cable Drive

Table 16. Register Table (see Table 1) (continued)

REGISTER ADDRESS	BITS	NAME	VALUE	FUNCTION	DEFAULT VALUE
0x06	D[7:4]	CMLLVL	0000	Do not use.	1000, 1010
			0001	Do not use.	
			0010	100mV output level.	
			0011	150mV output level.	
			0100	200mV output level.	
			0101	250mV output level.	
			0110	300mV output level.	
			0111	350mV output level.	
			1000	400mV output level. Power-up default when twisted-pair output is selected (Table 9).	
			1001	450mV output level.	
			1010	500mV output level. Power-up default when coax output is selected (Table 9).	
			1011	Do not use.	
			1100	Do not use.	
			1101	Do not use.	
	1110	Do not use.			
	1111	Do not use.			
	D[3:0]	PREEMP	0000	Preemphasis off.	0000
			0001	-1.2dB preemphasis.	
			0010	-2.5dB preemphasis.	
			0011	-4.1dB preemphasis.	
			0100	-6.0dB preemphasis.	
			0101	Do not use.	
			0110	Do not use.	
			0111	Do not use.	
			1000	1.1dB preemphasis.	
			1001	2.2dB preemphasis.	
			1010	3.3dB preemphasis.	
			1011	4.4dB preemphasis.	
1100			6.0dB preemphasis.		
1101			8.0dB preemphasis.		
1110	10.5dB preemphasis.				
1111	14.0dB preemphasis.				

MAX9271

16-Bit GMSL Serializer with Coax or STP Cable Drive

Table 16. Register Table (see Table 1) (continued)

REGISTER ADDRESS	BITS	NAME	VALUE	FUNCTION	DEFAULT VALUE
0x07	D7	DBL	0	Single-input mode. Power-up default when LCCEN = high or TX/SCL/DBL = low.	0, 1
			1	Double-input mode. Power-up default when LCCEN = low and TX/SCL/DBL = high.	
	D6	DRS	0	High data-rate mode.	0
			1	Low data-rate mode.	
	D5	BWS	0	24-bit mode. Power-up default when LCCEN = high or GPIO1/BWS = low.	0, 1
			1	32-bit mode. Power-up default when LCCEN = low and GPIO1/BWS = high.	
	D4	ES	0	Input data latched on rising edge of PCLKIN. Power-up default determined by CONF1 and CONF0 (Table 9). Do not change this value while the pixel clock is running.	0, 1
			1	Input data latched on falling edge of PCLKIN. Power-up default determined by CONF1 and CONF0 (Table 9). Do not change this value while the pixel clock is running.	
	D3	—	0	Reserved.	0
	D2	HVEN	0	HS/VS encoding disabled. Power-up default when LCCEN = high or MS/HVEN = low.	0, 1
			1	HS/VS encoding enabled. Power-up default when LCCEN = low and MS/HVEN = high.	
	D[1:0]	EDC	00	1-bit parity error detection (GMSL compatible). Power-up default when LCCEN = high or RX/SDA/EDC = low.	00, 10
			01	6-bit CRC error detection.	
			10	6-bit hamming code (single-bit error correct, double-bit error detect) and 16 word interleaving. Power-up default when LCCEN = low and RX/SDA/EDC = high.	
11			Do not use.		
0x08	D7	INVVS	0	No VS or DIN0 inversion.	0
			1	Invert VS when HVEN = 1. Invert DIN0 when HVEN = 0. Do not use if DBL = 0 in the serializer and DBL = 1 in the deserializer.	
	D6	INVHS	0	No HS or DIN1 inversion.	0
			1	Invert HS when HVEN = 1. Invert DIN1 when HVEN = 0. Do not use if DBL = 0 in the serializer and DBL = 1 in the deserializer.	
D[5:0]	—	000000	Reserved.	000000	

MAX9271

16-Bit GMSL Serializer with Coax or STP Cable Drive

Table 16. Register Table (see Table 1) (continued)

REGISTER ADDRESS	BITS	NAME	VALUE	FUNCTION	DEFAULT VALUE
0x09	D[7:1]	I2CSRCA	XXXXXXX	I ² C address translator source A.	0000000
	D0	—	0	Reserved.	0
0x0A	D[7:1]	I2CDSTA	XXXXXXX	I ² C address translator destination A.	0000000
	D0	—	0	Reserved.	0
0x0B	D[7:1]	I2CSRCA	XXXXXXX	I ² C address translator source B.	0000000
	D0	—	0	Reserved.	0
0x0C	D[7:1]	I2CDSTB	XXXXXXX	I ² C address translator destination B.	0000000
	D0	—	0	Reserved.	0
0x0D	D7	I2CLOCKACK	0	Acknowledge not generated when forward channel is not available.	1
			1	I ² C-to-I ² C slave generates local acknowledge when forward channel is not available.	
	D[6:5]	I2CSLVSH	00	352ns/117ns I ² C setup/hold time.	01
			01	469ns/234ns I ² C setup/hold time.	
			10	938ns/352ns I ² C setup/hold time.	
			11	1046ns/469ns I ² C setup/hold time.	
	D[4:2]	I2CMSTBT	000	8.47kbps (typ) I ² C-to-I ² C master bit-rate setting.	101
			001	28.3kbps (typ) I ² C-to-I ² C master bit-rate setting.	
			010	84.7kbps (typ) I ² C-to-I ² C master bit-rate setting.	
			011	105kbps (typ) I ² C-to-I ² C master bit-rate setting.	
			100	173kbps (typ) I ² C-to-I ² C master bit-rate setting.	
			101	339kbps (typ) I ² C-to-I ² C master bit-rate setting.	
			110	533kbps (typ) I ² C-to-I ² C master bit-rate setting.	
			111	837kbps (typ) I ² C-to-I ² C master bit-rate setting.	
	D[1:0]	I2CSLVTO	00	64μs (typ) I ² C-to-I ² C slave remote timeout.	10
			01	256μs (typ) I ² C-to-I ² C slave remote timeout.	
10			1024μs (typ) I ² C-to-I ² C slave remote timeout.		
11			No I ² C-to-I ² C slave remote timeout.		

MAX9271

16-Bit GMSL Serializer with Coax or STP Cable Drive

Table 16. Register Table (see Table 1) (continued)

REGISTER ADDRESS	BITS	NAME	VALUE	FUNCTION	DEFAULT VALUE
0x0E	D7	DIS_REV_P	0	OUT+ reverse channel receiver enabled.	0
			1	OUT+ reverse channel receiver disabled.	
	D6	DIS_REV_N	0	OUT- reverse channel receiver enabled.	1
			1	OUT- reverse channel receiver disabled.	
	D5	GPIO5EN	0	Disable GPIO5.	0
			1	Enable GPIO5.	
	D4	GPIO4EN	0	Disable GPIO4.	0
			1	Enable GPIO4.	
D3	GPIO3EN	0	Disable GPIO3.	0	
		1	Enable GPIO3.		
D2	GPIO2EN	0	Disable GPIO2.	0	
		1	Enable GPIO2.		
D1	GPIO1EN	0	Disable GPIO1.	1	
		1	Enable GPIO1.		
D0	—	0	Reserved.	0	
0x0F	D[7:6]	—	11	Reserved.	11
	D5	GPIO5OUT	0	Set GPIO5 low.	1
			1	Set GPIO5 high.	
	D4	GPIO4OUT	0	Set GPIO4 low.	1
			1	Set GPIO4 high.	
	D3	GPIO3OUT	0	Set GPIO3 low.	1
			1	Set GPIO3 high.	
	D2	GPIO2OUT	0	Set GPIO2 low.	1
1			Set GPIO2 high.		
D1	GPIO1OUT	0	Set GPIO1 low.	1	
		1	Set GPIO1 high.		
D0	SETGPO	0	Set GPO low.	0	
		1	Set GPO high.		
0x10	D[7:6]	—	00	Reserved.	00
	D5	GPIO5IN	0	GPIO5 is low	1 (read only)
			1	GPIO5 is high.	
	D4	GPIO4IN	0	GPIO4 is low.	1 (read only)
			1	GPIO4 is high.	
	D3	GPIO3IN	0	GPIO3 is low.	1 (read only)
			1	GPIO3 is high.	
	D2	GPIO2IN	0	GPIO2 is low.	1 (read only)
1			GPIO2 is high.		
D1	GPIO1IN	0	GPIO1 is low.	1 (read only)	
		1	GPIO1 is high.		
D0	GPO_L	0	GPO is set low.	0 (read only)	
		1	GPO is set high.		

MAX9271

16-Bit GMSL Serializer with Coax or STP Cable Drive

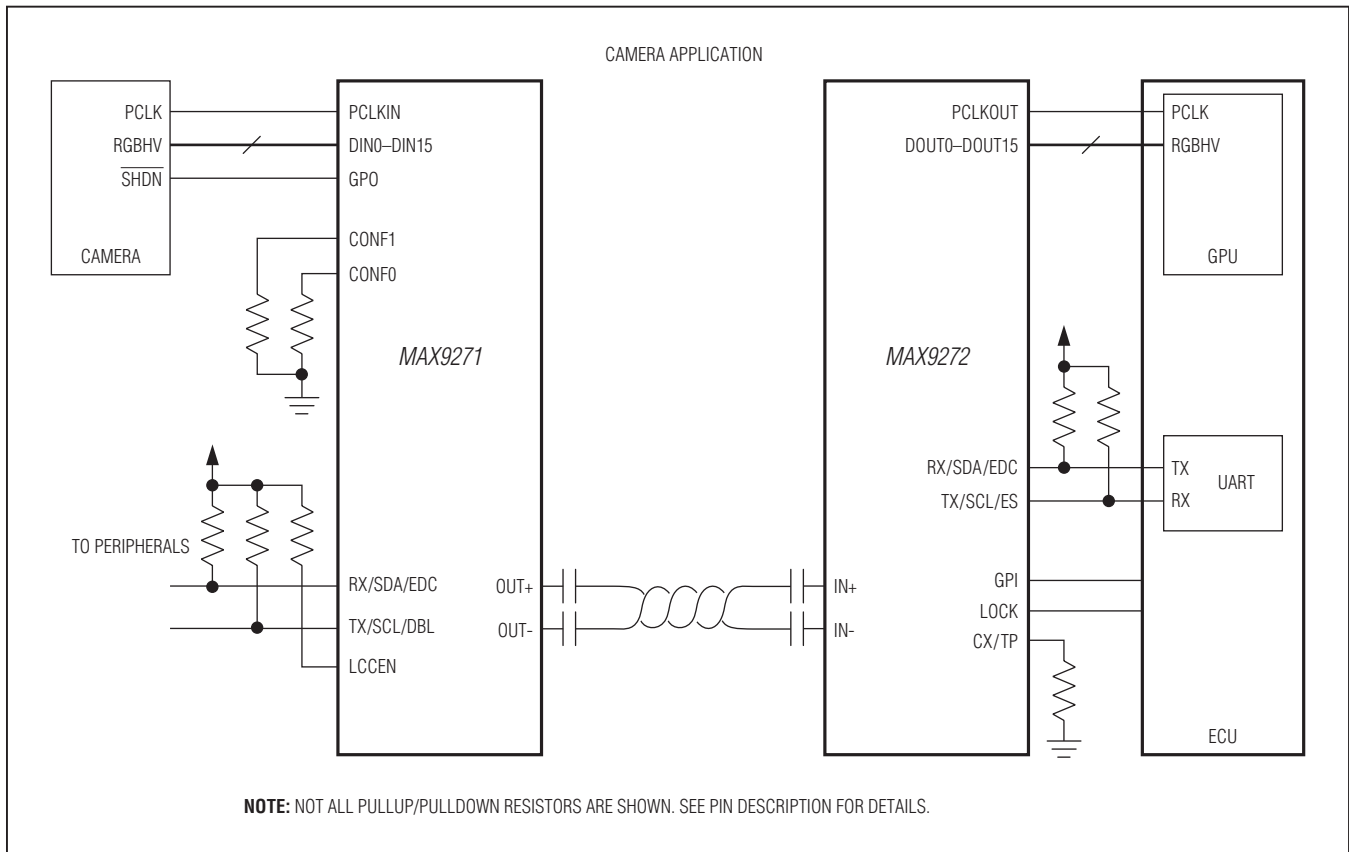
Table 16. Register Table (see Table 1) (continued)

REGISTER ADDRESS	BITS	NAME	VALUE	FUNCTION	DEFAULT VALUE
0x11	D[7:6]	ERRGRATE	00	Generate an error every 2560 bits.	00
			01	Generate an error every 40,960 bits.	
			10	Generate an error every 655,360 bits.	
			11	Generate an error every 10,485,760 bits.	
	D[5:4]	ERRGTYPE	00	Generate single-bit errors.	00
			01	Generate 2 (8b/10b) symbol errors.	
			10	Generate 3 (8b/10b) symbol errors.	
			11	Generate 4 (8b/10b) symbol errors.	
	D[3:2]	ERRGCNT	00	Continuously generate errors.	00
			01	16 generated errors.	
			10	128 generated errors.	
			11	1024 generated errors.	
D1	ERRGPER	0	Disable periodic error generation.	0	
		1	Enable periodic error generation.		
D0	ERRGEN	0	Disable error generator.	0	
		1	Enable error generator.		
0x12	D[7:0]	—	01000000	Reserved.	01000000
0x13	D[7:0]	—	00100010	Reserved.	00100010
0x14	D[7:0]	—	XXXXXXXX	Reserved.	00000000 (read only)
0x15	D7	COTP	0	COTP is low.	0 (read only)
			1	COTP is high.	
	D6	I2CSEL	0	Input is high.	0 (read only)
			1	Input is low.	
	D5	LCCEN	0	Input is high.	0 (read only)
			1	Input is low.	
	D[4:2]	—	000	Reserved.	000 (read only)
	D1	OUTPUTEN	0	Output disabled.	0 (read only)
1			Output enabled.		
D0	PCLKDET	0	Valid PCLKIN detected.	0 (read only)	
		1	Valid PCLKIN not detected.		
0x16	D[7:0]	—	XXXXXXXX	Reserved.	00000000 (read only)
0x17	D[7:0]	—	XXXXXXXX	Reserved.	00000000 (read only)
0x1E	D[7:0]	ID	00001001	Device identifier (MAX9271 = 0x09).	00001001 (read only)
0x1F	D[7:5]	—	000	Reserved.	000 (read only)
	D4	CAPS	0	Not HDCP capable.	0 (read only)
			1	HDCP capable.	
D[3:0]	REVISION	XXXX		Device revision.	(read only)

MAX9271

16-Bit GMSL Serializer with Coax or STP Cable Drive

Typical Application Circuit



Ordering Information

PART	TEMP RANGE	PIN-PACKAGE
MAX9271GTJ+	-40°C to +105°C	32 TQFN-EP*
MAX9271GTJ/V+**	-40°C to +105°C	32 TQFN-EP*

V denotes an automotive qualified part.

+Denotes a lead(Pb)-free/RoHS-compliant package.

*EP = Exposed pad.

**Future product—contact factory for availability.

Chip Information

PROCESS: CMOS

Package Information

For the latest package outline information and land patterns (footprints), go to www.maximintegrated.com/packages. Note that a "+", "#", or "-" in the package code indicates RoHS status only. Package drawings may show a different suffix character, but the drawing pertains to the package regardless of RoHS status.

PACKAGE TYPE	PACKAGE CODE	OUTLINE NO.	LAND PATTERN NO.
32 TQFN-EP	T3255+5	21-0140	90-0013

MAX9271

16-Bit GMSL Serializer with Coax or STP Cable Drive

Revision History

REVISION NUMBER	REVISION DATE	DESCRIPTION	PAGES CHANGED
0	6/12	Initial release	—
1	11/12	Added nonautomotive package to <i>Ordering Information</i> .	48



Maxim Integrated cannot assume responsibility for use of any circuitry other than circuitry entirely embodied in a Maxim Integrated product. No circuit patent licenses are implied. Maxim Integrated reserves the right to change the circuitry and specifications without notice at any time. The parametric values (min and max limits) shown in the Electrical Characteristics table are guaranteed. Other parametric values quoted in this data sheet are provided for guidance.

Maxim Integrated 160 Rio Robles, San Jose, CA 95134 USA 1-408-601-1000

49

Mouser Electronics

Authorized Distributor

Click to View Pricing, Inventory, Delivery & Lifecycle Information:

[Analog Devices Inc.:](#)

[MAX9271GTJ/V+](#) [MAX9271COAXEVKIT#](#)

Other:

[MAX9271GTJ+T](#) [MAX9271GTJ/V+T](#) [MAX9271GTJ+](#)