

# Customer Information Sheet

DRAWING No.: S1941-XXR

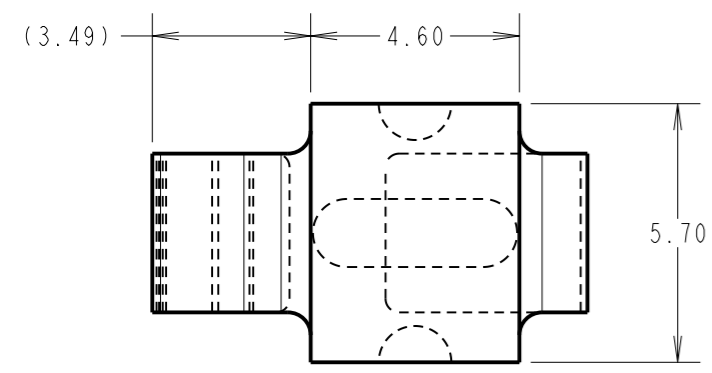
IF IN DOUBT - ASK

©

NOT TO SCALE

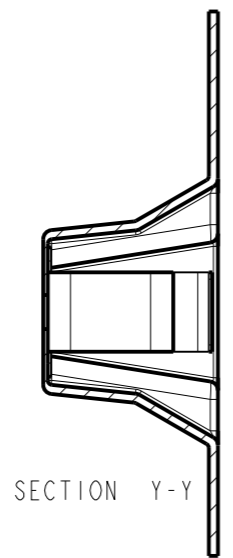
THIRD ANGLE PROJECTION

ALL DIMENSIONS IN mm

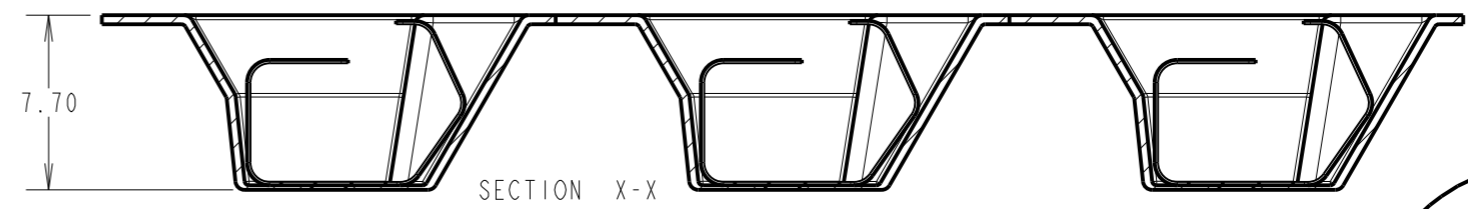
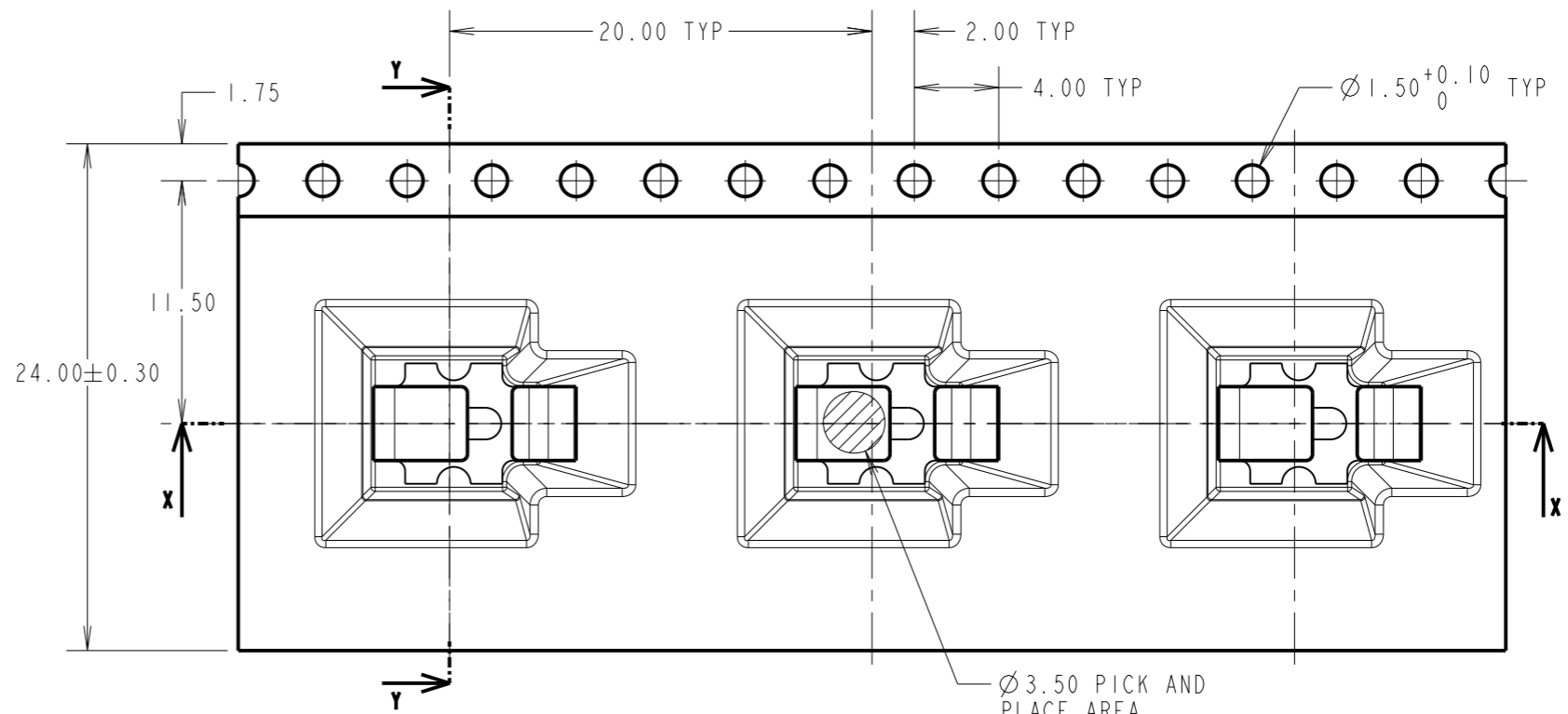


RECOMMENDED PCB PAD LAYOUT

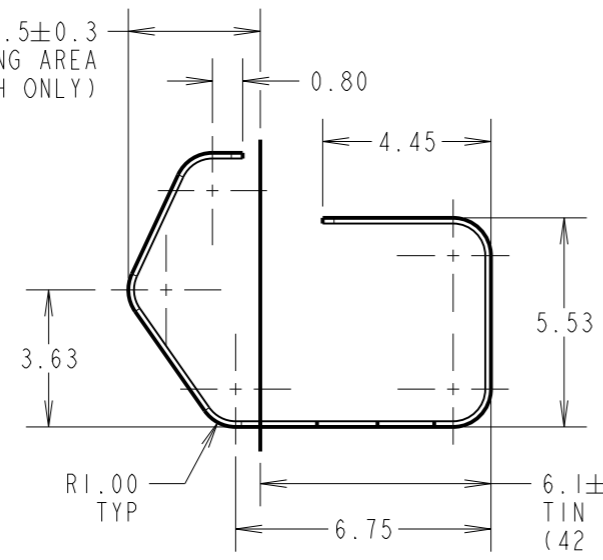
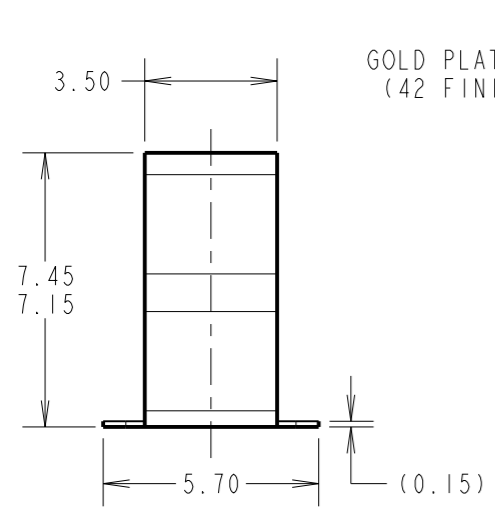
- NOTES:  
 1. QUANTITY OF COMPONENTS PER REEL = 350.  
 2. THIS PRODUCT IS TAPED AND REELED IN ACCORDANCE WITH EIA-481 (ELECTRONICS INDUSTRIES ASSOCIATION).



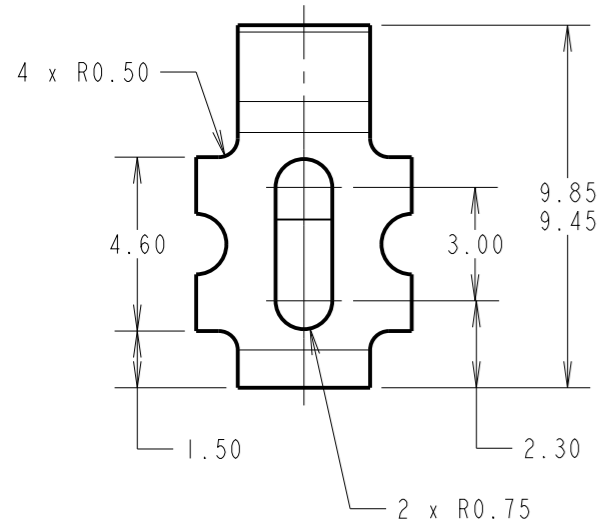
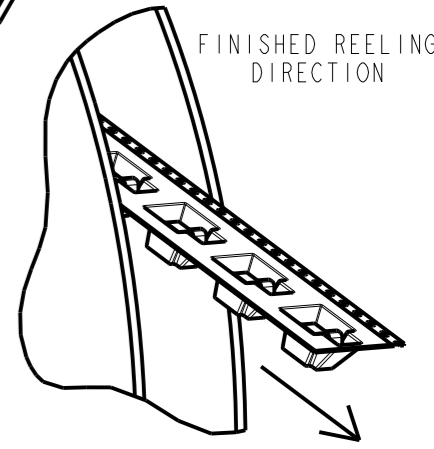
SECTION Y-Y



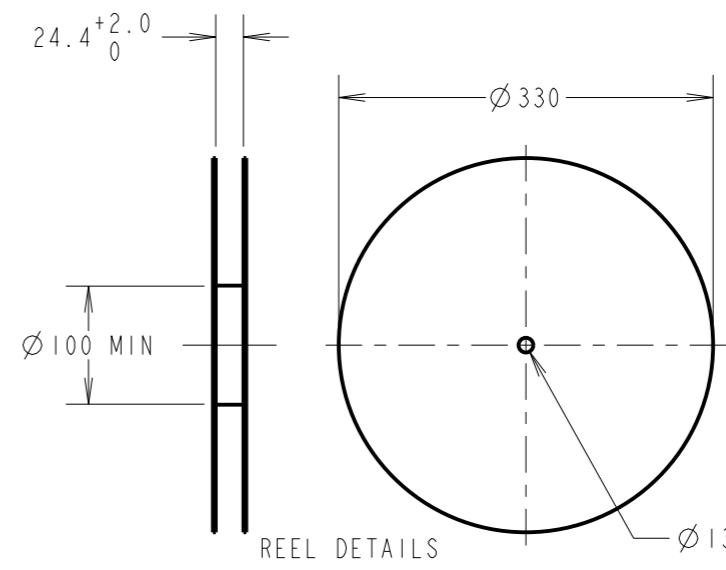
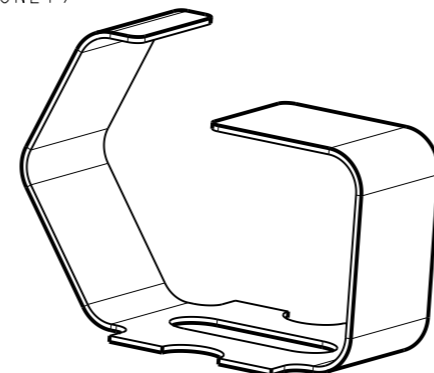
SECTION X-X



ORDER CODE:  
**S1941-XXR**  
 FINISH:  
 42 - SELECTIVE GOLD & TIN  
 46 - 100% TIN ALL OVER



## COMPONENT DETAILS



REEL DETAILS

RTP	9	14.01.22	31314
NAME	ISS.	DATE	CN/CO
APPROVED:		R.PORTLOCK	
CHECKED:		M.RUDKIN	
DRAWN:		S.BENNETT	
CUSTOMER REF.:			
ASSEMBLY DRG:			

<p>www.harwin.com technical@harwin.com</p>	<p>THIS DRAWING AND ANY INFORMATION OR DESCRIPTIVE MATTER SET OUT HEREON ARE CONFIDENTIAL AND COPYRIGHT PROPERTY OF THE HARWIN GROUP AND MUST NOT BE DISCLOSED, LOANED, COPIED OR USED FOR MANUFACTURING, TENDERING OR FOR ANY OTHER PURPOSE WITHOUT THEIR WRITTEN PERMISSION.</p>	<p>TOLERANCES</p> <p>X. = ±1mm                  X.X = ±0.50mm                  X.XX = ±0.20mm                  X.XXX = ±0.01mm</p> <p>ANGLES = ±5°                  UNLESS STATED</p>	<p>MATERIAL:</p> <p>SEE ABOVE</p>	<p>TITLE:</p> <p>MULTI-DIRECTIONAL SHIELD FINGER IN TAPE AND REEL</p>
		<p>FINISH:</p> <p>SEE ABOVE</p>	<p>S/AREA:</p> <p>mm<sup>2</sup></p>	<p>DRAWING NUMBER:</p> <p><b>S1941-XXR</b></p>

# Customer Information Sheet

DRAWING No.: S1941-XXR

IF IN DOUBT - ASK

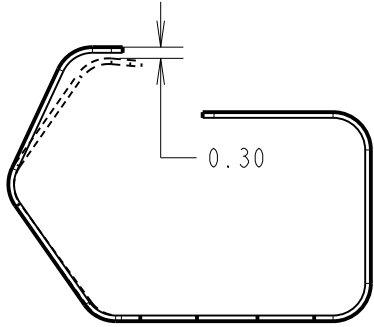
©

NOT TO SCALE

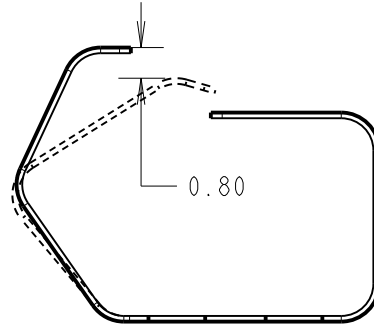
THIRD ANGLE PROJECTION

ALL DIMENSIONS IN mm

## S1941-46R DEFLECTION FROM ABOVE

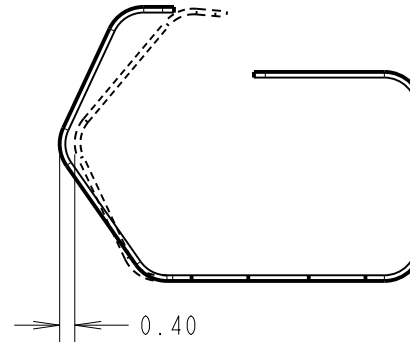


RECOMMENDED VERTICAL WORKING  
DEFLECTION = 0.30mm,  
MINIMUM FORCE OF 1.2N

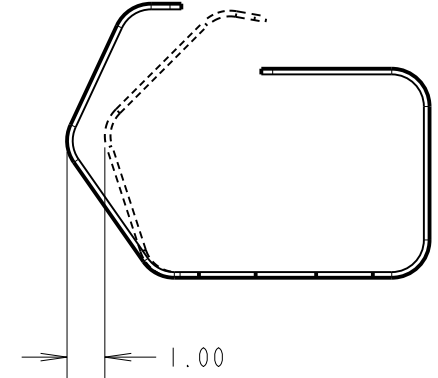


MAXIMUM RECOMMENDED  
DEFLECTION = 0.80mm

## S1941-46R DEFLECTION FROM FRONT



RECOMMENDED HORIZONTAL WORKING  
DEFLECTION = 0.40mm,  
MINIMUM FORCE OF 1.2N



MAXIMUM RECOMMENDED  
DEFLECTION = 1.00mm

### COMPONENT SPECIFICATION:

MATERIAL = BERYLLIUM COPPER

FINISH:

42 = 2µm NICKEL ALL OVER,  
0.15µm GOLD ON CONTACT AREA,  
3µm 100% TIN ON BASE

46 = 3µm 100% TIN OVER 2µm NICKEL

ELECTRICAL:

CURRENT RATING = 9A MAX

CONTACT RESISTANCE = 20mΩ MAX

MECHANICAL:

DURABILITY = 5000 CYCLES

RTP	9	14.01.22	31314
NAME	ISS.	DATE	CN/CO
APPROVED:		R.PORTLOCK	
CHECKED:		M.RUDKIN	
DRAWN:		S.BENNETT	
CUSTOMER REF.:			
ASSEMBLY DRG:			

# HARWIN

www.harwin.com  
technical@harwin.com

THIS DRAWING AND ANY  
INFORMATION OR DESCRIPTIVE  
MATTER SET OUT HEREON ARE  
CONFIDENTIAL AND COPYRIGHT  
PROPERTY OF THE HARWIN  
GROUP AND MUST NOT BE  
DISCLOSED, LOANED, COPIED  
OR USED FOR MANUFACTURING,  
TENDERING OR FOR ANY  
OTHER PURPOSE WITHOUT  
THEIR WRITTEN PERMISSION.

### TOLERANCES

X. = ±1mm  
X.X = ±0.50mm  
X.XX = ±0.20mm  
X.XXX = ±0.01mm  
ANGLES = ±5°  
UNLESS STATED

### MATERIAL:

SEE ABOVE

### FINISH:

SEE ABOVE

### S/AREA:

mm<sup>2</sup>

### TITLE:

MULTI-DIRECTIONAL SHIELD FINGER  
IN TAPE AND REEL

### DRAWING NUMBER:

**S1941-XXR**

SHT  
3  
OF  
3