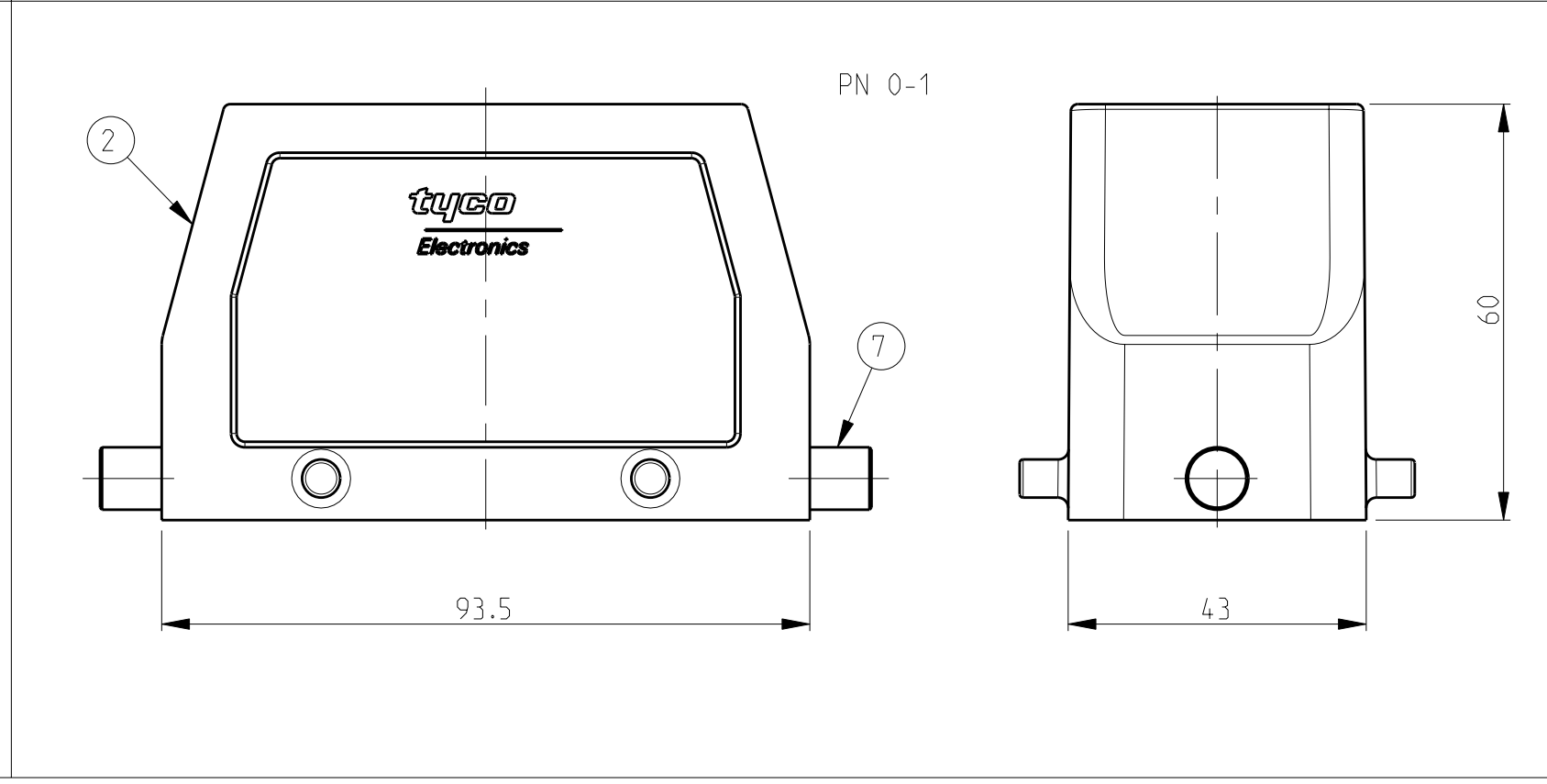
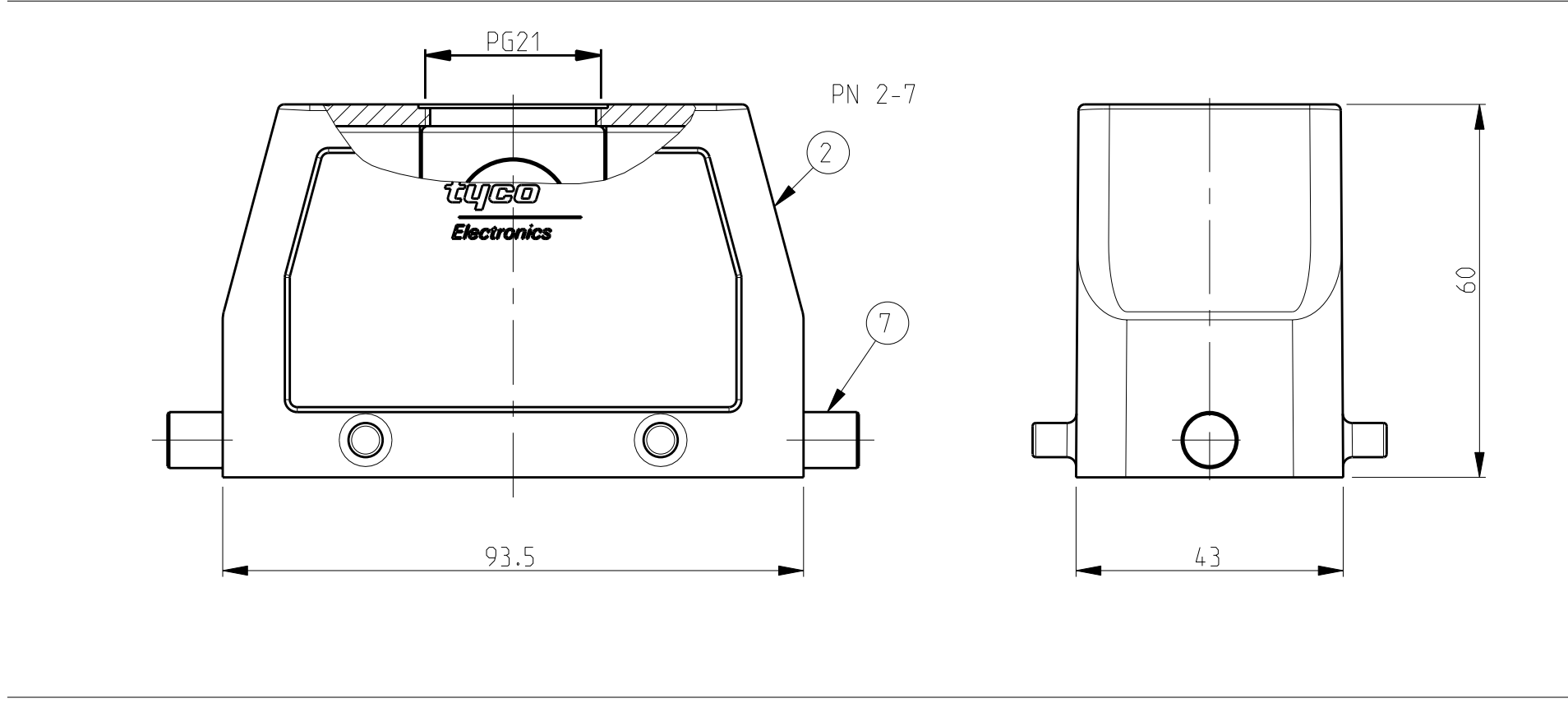
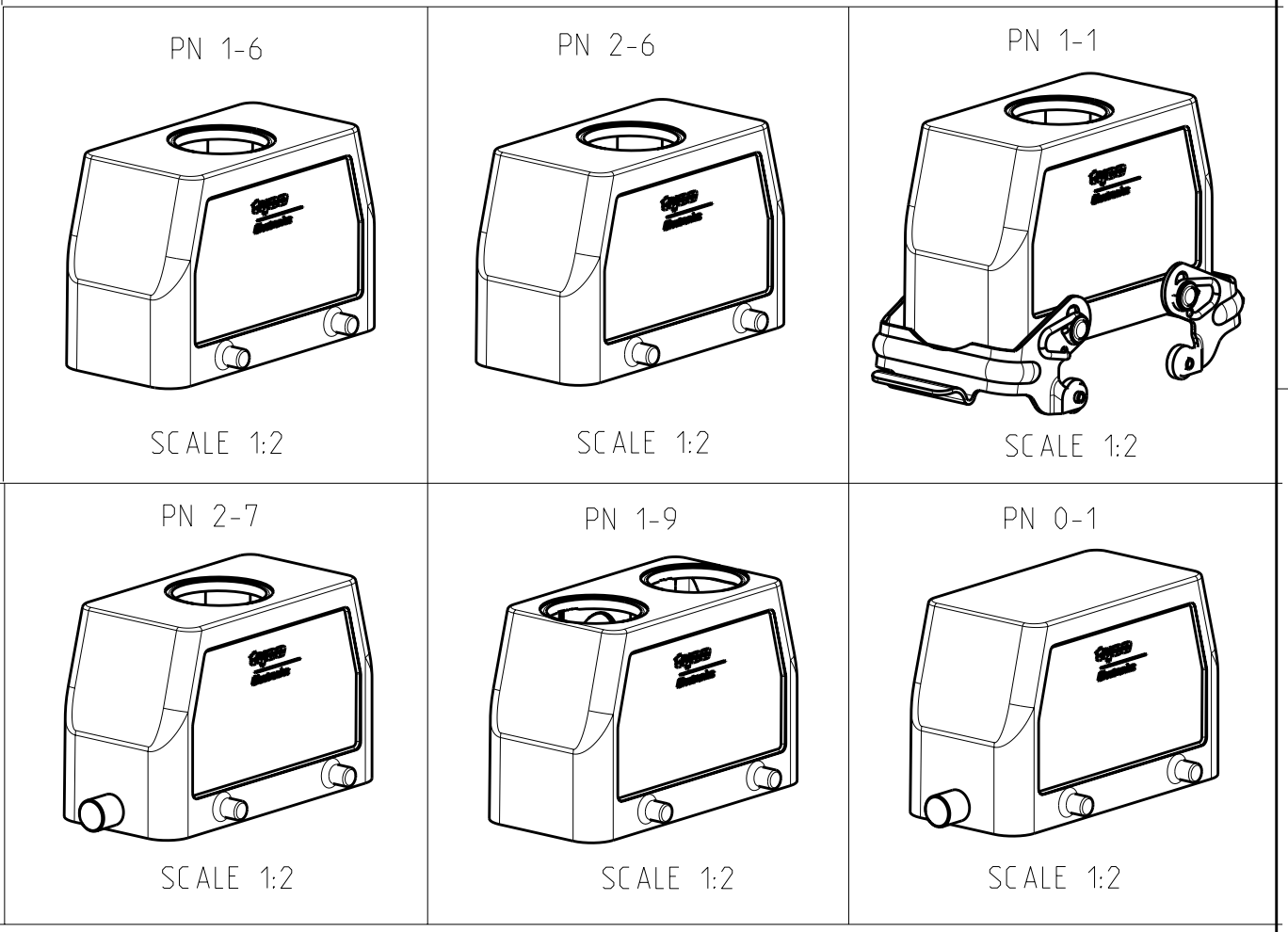
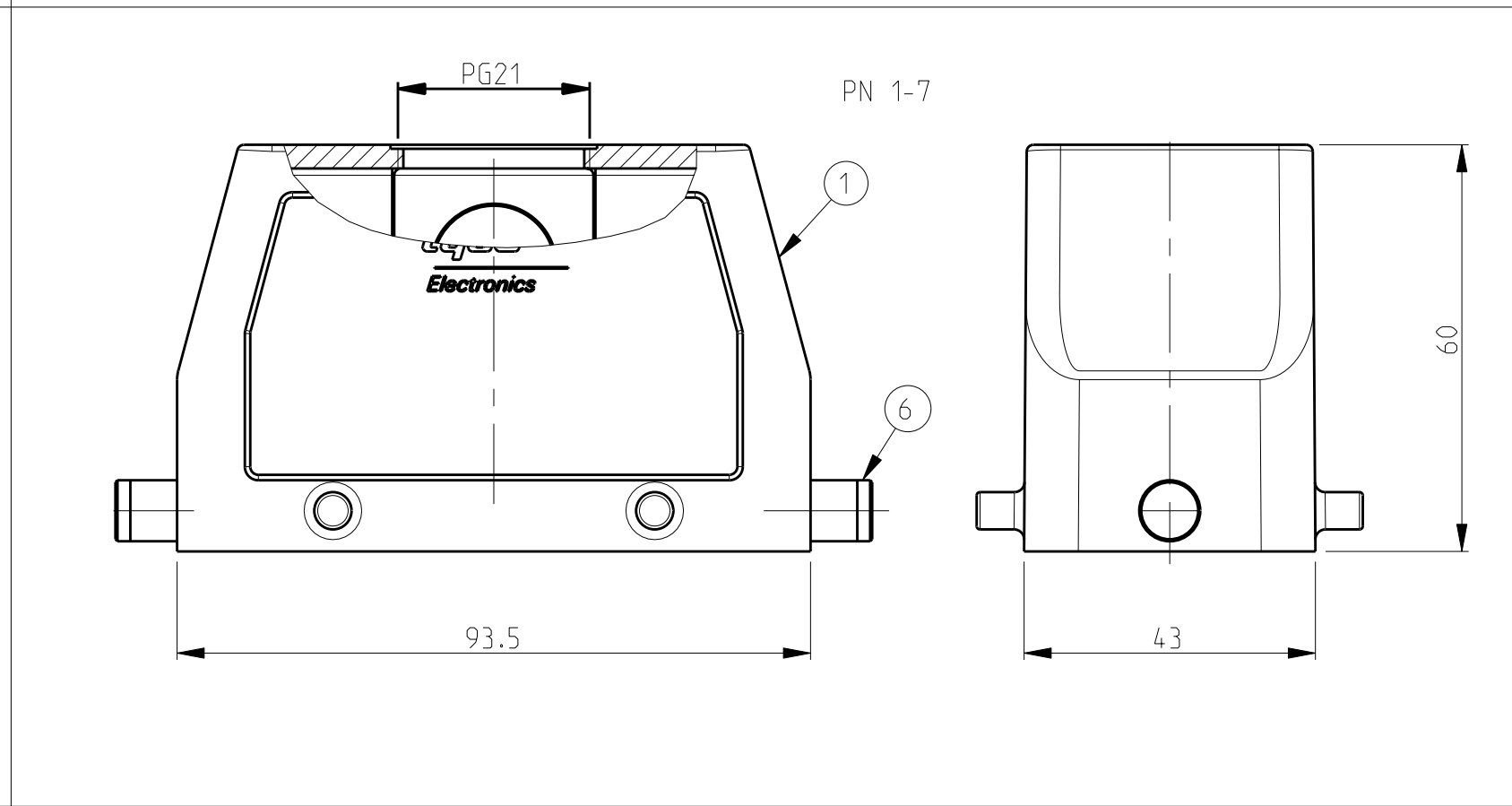
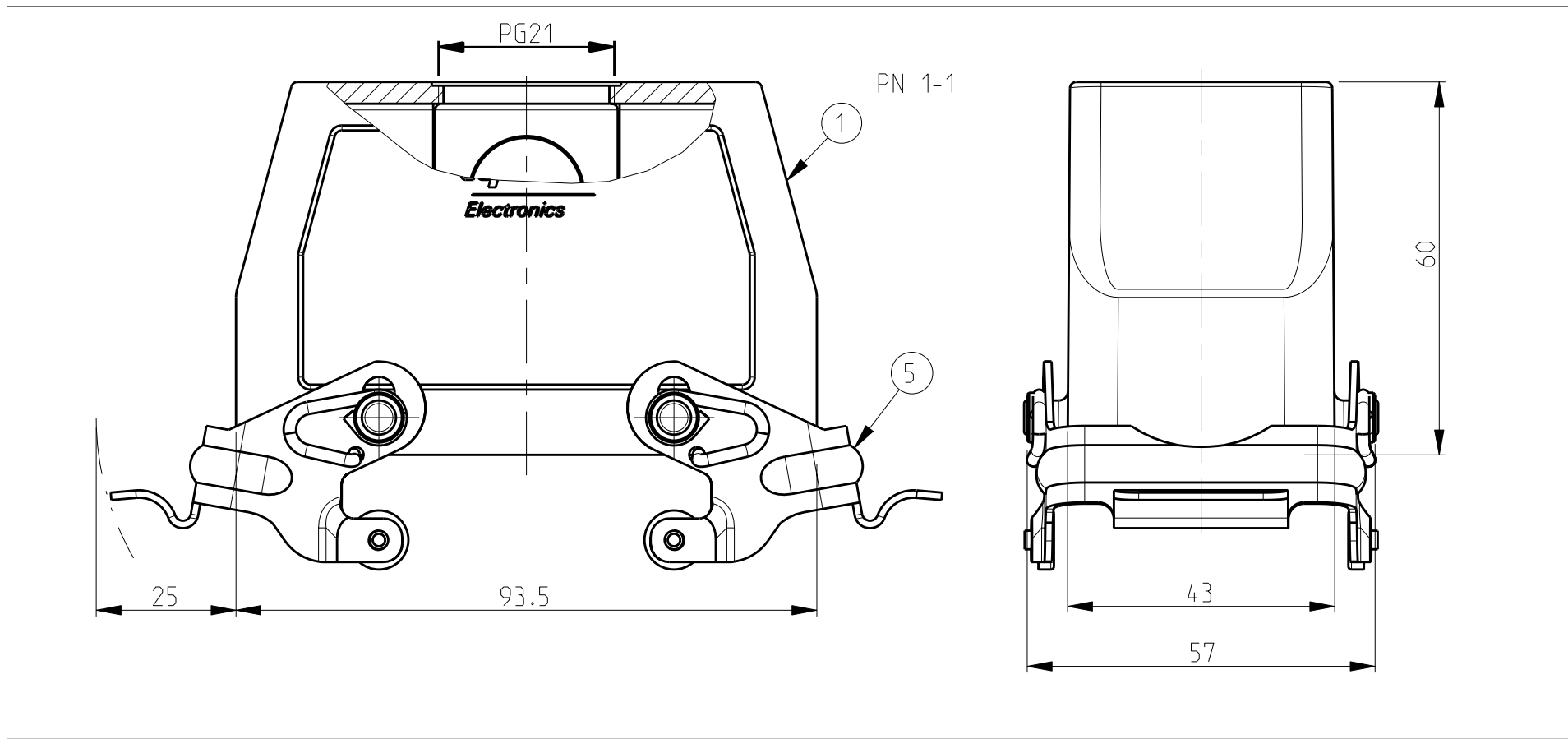


- NOTES
- 1 Material: Housing: aluminium diecasting alloy
 - 2 Surface:- Varnish grey
Aluminium oxide+Varnish Black
 - 3 Varnish on the inside not necessary
 - 4 Packaging
Packaging quantity 5 piece in a box



| QTY | DESCRIPTION | MATERIAL | SURFACE | COLOR | ITEM NO | NOTES |
|-----|--------------------|-----------------|-----------------|-------|---------|--------|
| 2 | LB-clip bolt | Stainless steel | Blank | | 7 | |
| 2 | LB-clip bolt | Steel | Zinc plated | Blue | 6 | |
| 2 | VS-Locking clip | Steel | Zinc plated | Blue | 5 | |
| | VS-Clip positioner | Stainless steel | Blank | | 4 | |
| 1 | HB Hood | Aluminium | | Grey | 3 | 2xPg21 |
| 1 | HB-K Hood | Aluminium | Aluminium oxide | Black | 2 | |
| 1 | HB Hood | Aluminium | | Grey | 1 | |

ORDERING TEXT

HB.16.STO.1.21.G
 HB-K.16.STO.1.21.G
 HB.16.STO-VS.1.21.G
 HB.16.STO-GR.1.21.G
 HB-K.16.STO-GR.1.21.G
 HB.16.STO.2.21.G
 HB-K.16.ST-GR

| | | | | | | | | |
|-------------|--|--|--|------------------|------------|------------------|--|-------------------------------|
| DIMENSIONS: | | TOLERANCES UNLESS OTHERWISE SPECIFIED: | | DWN | 10.11.02 | Tyco Electronics | | Tyco Electronics AMP GmbH |
| mm | | 0.100 mm | | CHE | 10.11.02 | Schneider | | 0-53819, Neunkirchen, Germany |
| APVD | | - | | APVD | - | Schweiger | | |
| MATERIAL | | FINISH | | PRODUCT SPEC | 108-74.001 | NAME | | Hood |
| | | | | APPLICATION SPEC | 108-74.003 | SIZE | | HB.16.STO.1.21.G |
| | | | | WEIGHT | 114-74.004 | CAGE CODE | | A 00779 |
| | | | | CUSTOMER DRAWING | | DRAWING NO | | C=1102295 |
| | | | | | | SCALE | | 1:1 |
| | | | | | | SHEET | | 1 OF 1 |
| | | | | | | REV | | A4 |

Mouser Electronics

Authorized Distributor

Click to View Pricing, Inventory, Delivery & Lifecycle Information:

[TE Connectivity:](#)

[1-1102295-6](#)