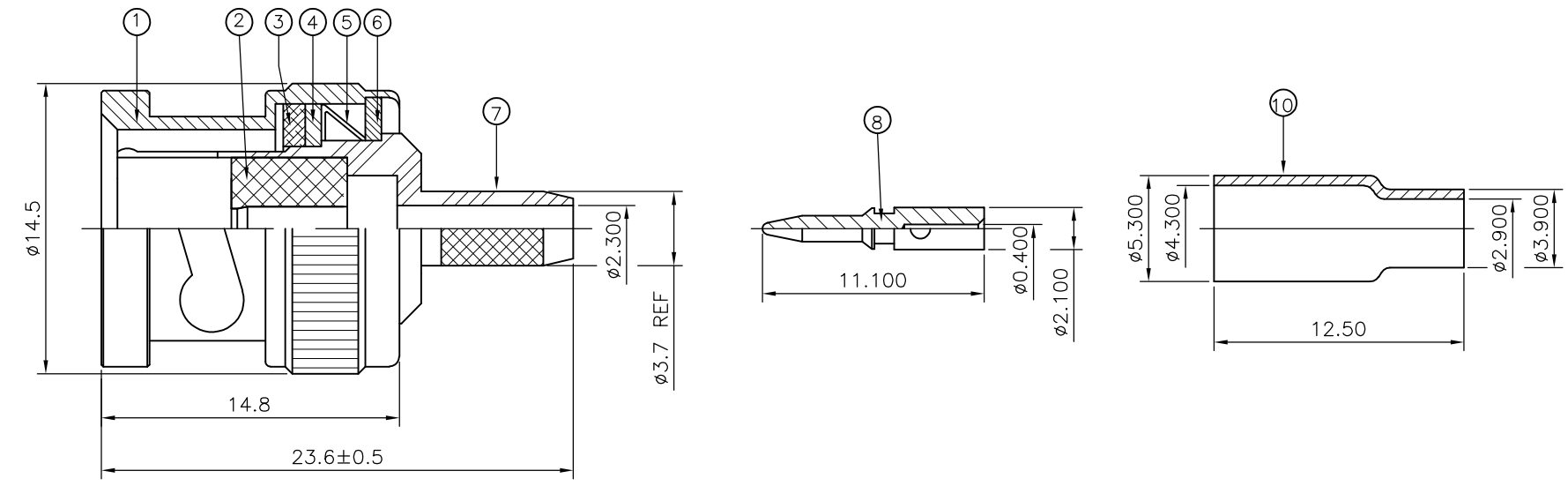


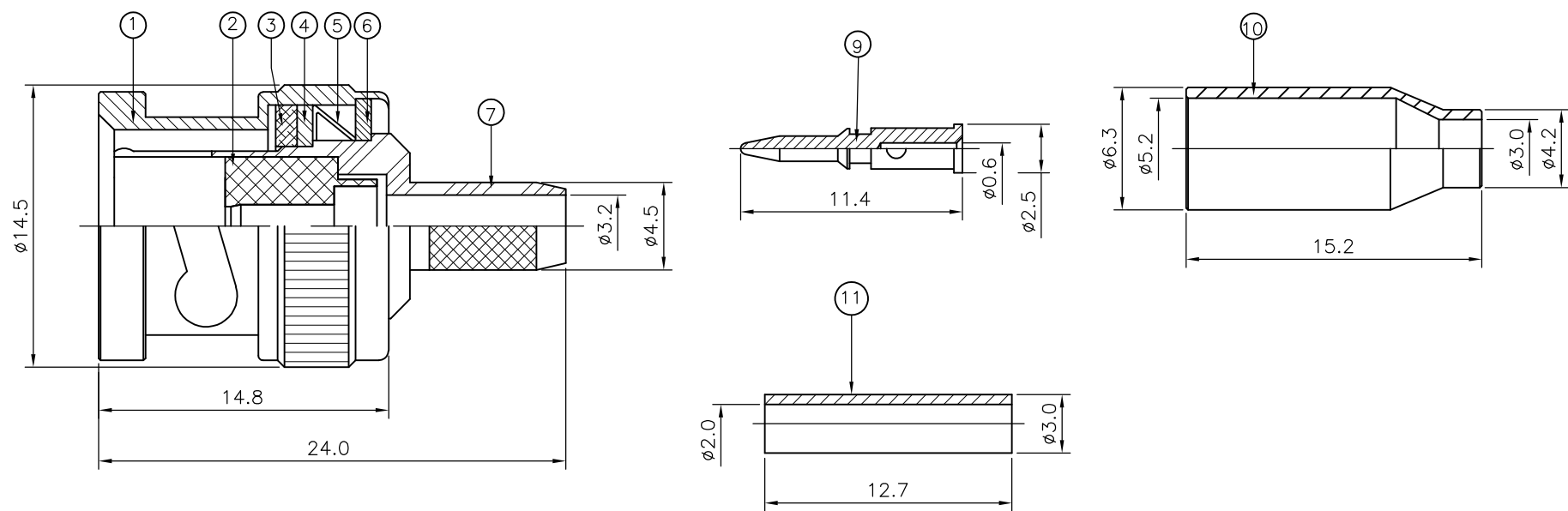
THIS DRAWING IS UNPUBLISHED. RELEASED FOR PUBLICATION SEPT , 2005.  
 © COPYRIGHT 2005 BY TYCO ELECTRONICS CORPORATION. ALL RIGHTS RESERVED.

LOC	DIST	REVISIONS					
E	B	P	LTR	DESCRIPTION	DATE	DWN	APVD
		D		ECO-09-017262	28JULY09	RITA	BOB

1-1337431-0/6-1337431-0



1-1337431-1/6-1337431-1



NOTES:

- ① SINGLE PACK IN ACCORDANCE WITH AMP SPEC 107-3275
- ② 100 TRAY PACK IN ACCORDANCE WITH AMP SPEC 107-3275
- ③ FLASH Au PLATING
- ④ 0.76µm Au PLATING
- ⑤ Ni PLATING
- ⑥ THIS ITEM MUST BE WHITE
- 7. HAND TOOL : 9-1478240-0
- 8. DIE SET : 9-1478242-0
- 9. ELECTRICAL CHARACTERISTICS
 

FREQUENCY RANGE:	DC - 2 GHz
NOMINAL IMPEDANCE:	75 Ohm
INSULATION RESISTANCE:	5000 MOhm
WORKING VOLTAGE:	500 Volts RMS at Sea Level
DIELECTRIC WITHSTAND VOLTAGE:	1500 Volts RMS Max
CONTACT RESISTANCE:	
CENTRE CONTACT:	1.50 mOhm Max
OUTER CONTACT:	0.20 mOhm Max
VSWR @ 4GHz:	1.20:1 Max
INSERTION LOSS dB @ x 3 GHz:	0.20 Max
- 10. MECHANICAL CHARACTERISTICS
 

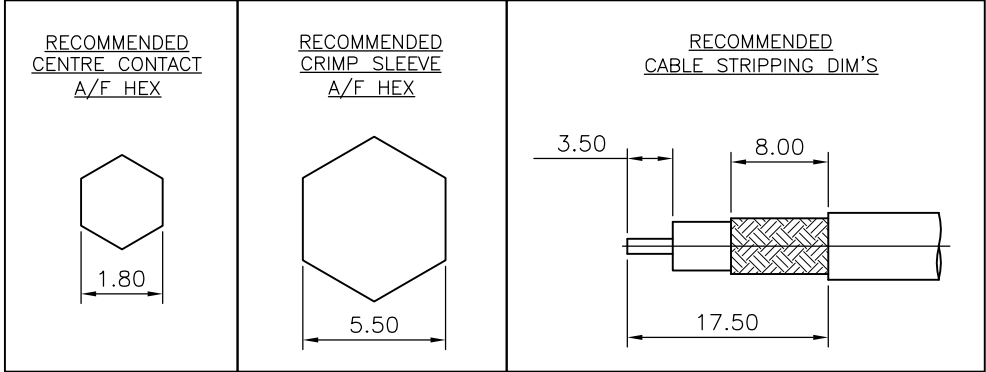
COUPLING NUT RETENTION FORCE:	445N Min
CABLE RETENTION FORCE:	85N Min
DURABILITY:	500 Cycles Min
- 11. ENVIRONMENTAL CHARACTERISTICS
 

OPERATING TEMPERATURE:	-65 to +165 DegC
------------------------	------------------

QTY	REV	QTY	REV	MATERIAL	DESCRIPTION	ITEM
1	1	-	-	PTFE	PUSHER SLEEVE	11
1	1	1	1	BRASS	⑤ FERRULE	10
1	1	-	-	BRASS	④ CONTACT	9
-	-	1	1	BRASS	③ CONTACT	8
1	1	1	1	BRASS	⑥ BODY	7
1	1	1	1	BRASS	⑦ WASHER	6
1	1	1	1	SPRING STEEL	⑤ SPRING	5
1	1	1	1	BRASS	④ WASHER	4
1	1	1	1	SILICON RUBBER	⑥ GASKET	3
1	1	1	1	PTFE	⑥ INSULATION	2
1	1	1	1	BRASS	⑤ SHELL	1

QTY	REV	QTY	REV	MATERIAL	DESCRIPTION	ITEM
6--1	1--1	6--0	1--0			

QUANTITY PER ASSY		PARTS LIST	
DWN J.SANDWELL 12SEPT05 CHK S.PARLOW 12SEPT05 APVD F.WHEELER-KING 12SEPT05 PRODUCT SPEC 108-3435 APPLICATION SPEC 411-3247 WEIGHT -			
		Tyco Electronics Corporation Bideford, UK, EX39 4HE	
NAME BNC STRAIGHT PLUG CRIMP 75 OHM RG179B/U, 187A/U, TM3289 & URM 111			
SIZE	CAGE CODE	DRAWING NO	RESTRICTED TO
A3	00779	C-1337431	-
CUSTOMER DRAWING		SCALE	SHEET 1 OF 1 REV D
		NTS	



THIS DRAWING IS A CONTROLLED DOCUMENT.	
DIMENSIONS: mm	TOLERANCES UNLESS OTHERWISE SPECIFIED:
	0 PLC ± -
	1 PLC ± 0.3
	2 PLC ± 0.2
	3 PLC ± 0.1
	4 PLC ± -
	ANGLES ± 5°
MATERIAL SEE TABLE	FINISH SEE TABLE

# Mouser Electronics

Authorized Distributor

Click to View Pricing, Inventory, Delivery & Lifecycle Information:

[TE Connectivity:](#)

[1-1337431-0](#)